
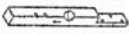
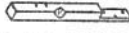





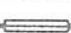
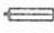








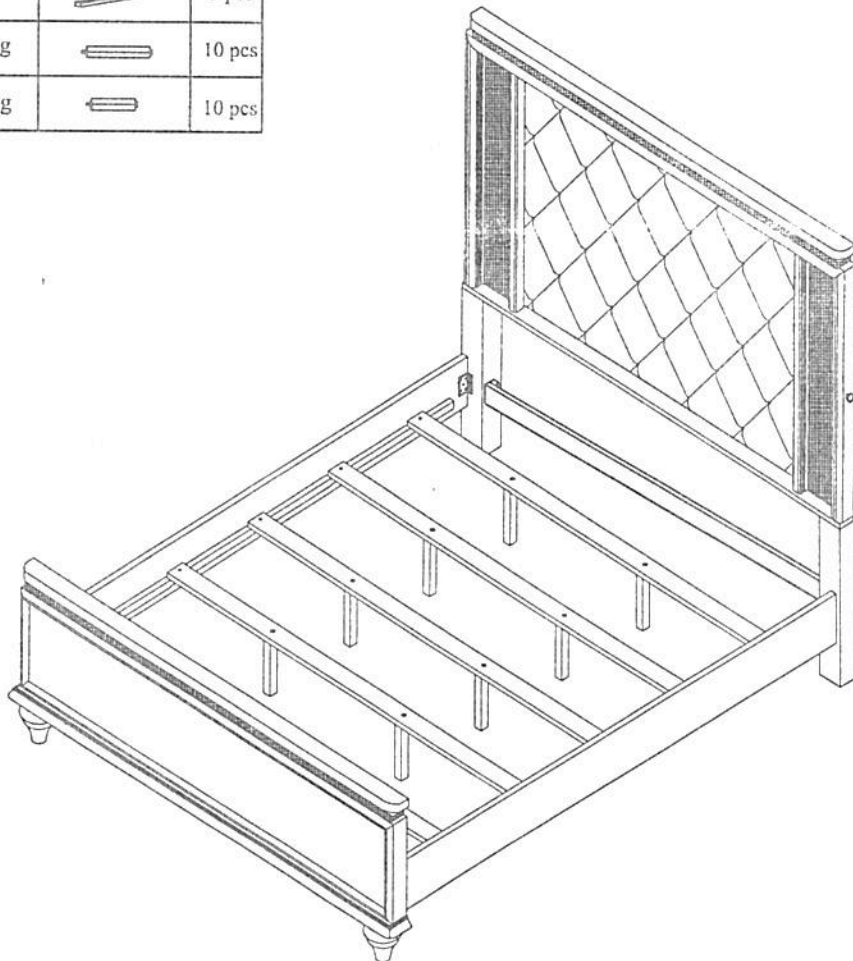
Assembly Instruction

SLAW 135-7532-271 King Footboard
 SLAW 135-7532-272 King Led Headboard
 SLAW 135-7532-400 QN/KG Reversible Side Rails

SKU # 32875328
 32475320
 32975320

Code	PARTS LIST:		
A	Headboard Panel		1 pc
B	Left headboard leg		1 pc
C	Right headboard leg		1 pc
D	Safety Rail		1 pc
E	Footboard Panel		1 pc
F	Footboard Leg		2 pcs
G	Side Rails		2 pcs
H	Slats		5 pcs
I	Long Support Leg		10 pcs
J	Short Support Leg		10 pcs

Step	Code	Hardware List	QTY	
1-2	K	Allen Bolt-Ø 5/16x45mm		
		Flat washer -Ø5/16 x19x1.5mm		
		Lock washer-Ø 5/16		
3	L	Allen Bolt-Ø 5/16x20mm		
		Flat washer -Ø5/16 x19x1.5mm		
		Lock washer-Ø 5/16		
1-2-3	M	Allen Key - 4mm		1 pc
4	N	Wood screw #8x35mm		10 pcs



Hardware Pack Location(s): Bolts pack at back of HB

Screws pack at Slats

King Led Headboard

Sku # 32475320

MADE IN VIETNAM

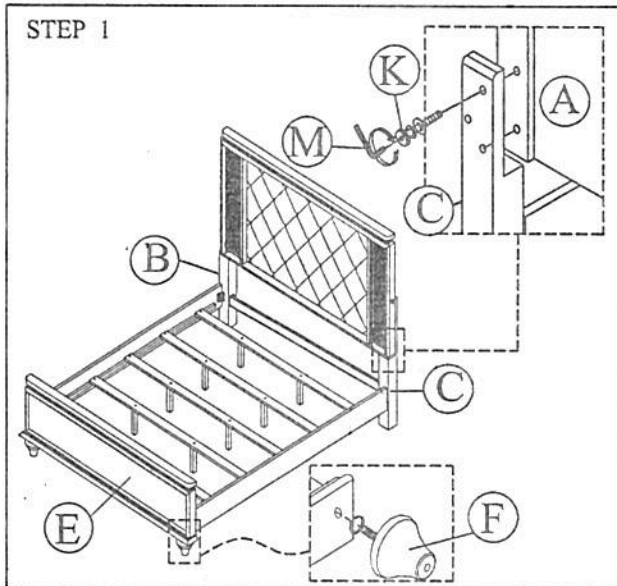


Assembly Instruction

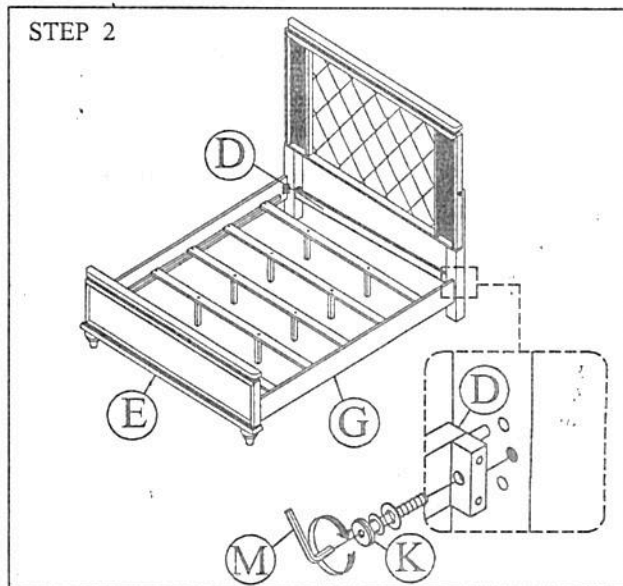
SLAW 135-7532-271 King Footboard
 SLAW 135-7532-272 King Led Headboard
 SLAW 135-7532-400 QN/KG Reversible Side Rails

SKU # 32875328
 32475320
 32975320

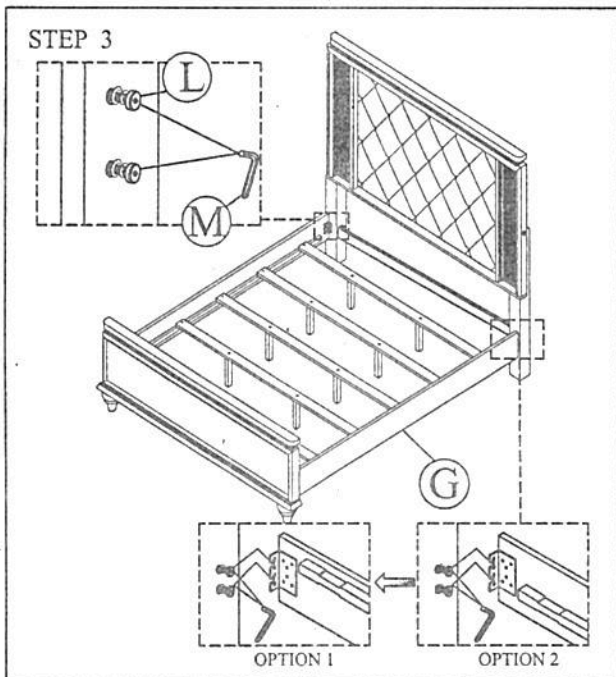
***Caution: Please read all instructions carefully before starting the assembly process. These parts are cumbersome and heavy. Therefore, two people are recommended in order to prevent personal injury and insure the parts are not damaged during the assembly



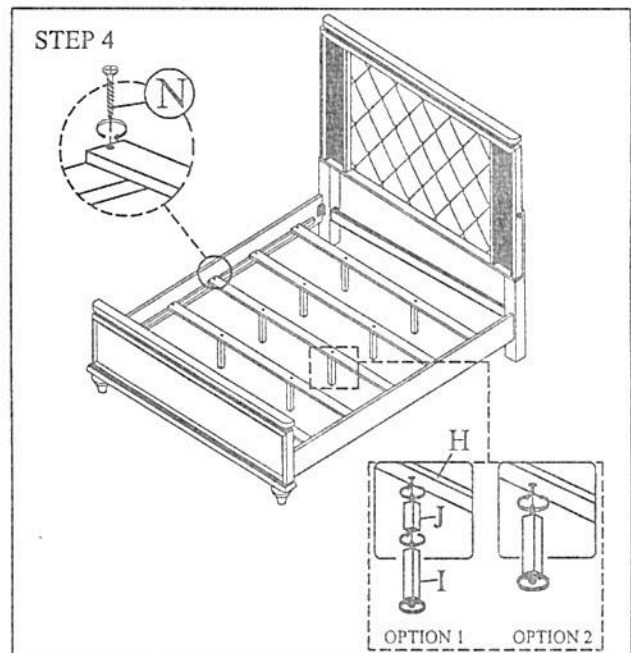
STEP 1
 Assemble the legs with the HB
 Note: Left leg to left side HB, Right leg to right side HB
 Do not tighten all bolts until HB is fully assembly



STEP 2
 Assemble Safety rail with HB legs.
 Do not tighten all bolts until HB is fully assembly



STEP 3
 Assemble the side rails to the HB and FB
 Note: There are two options: Side rail cleats can be up and down



STEP 4
 Assemble the support leg to slats
 Screw the slats to the side rail cleats
 Note: If the side rail cleats are up, use 2 pcs of support legs, if the side rail cleats are down, use long pcs of support legs only