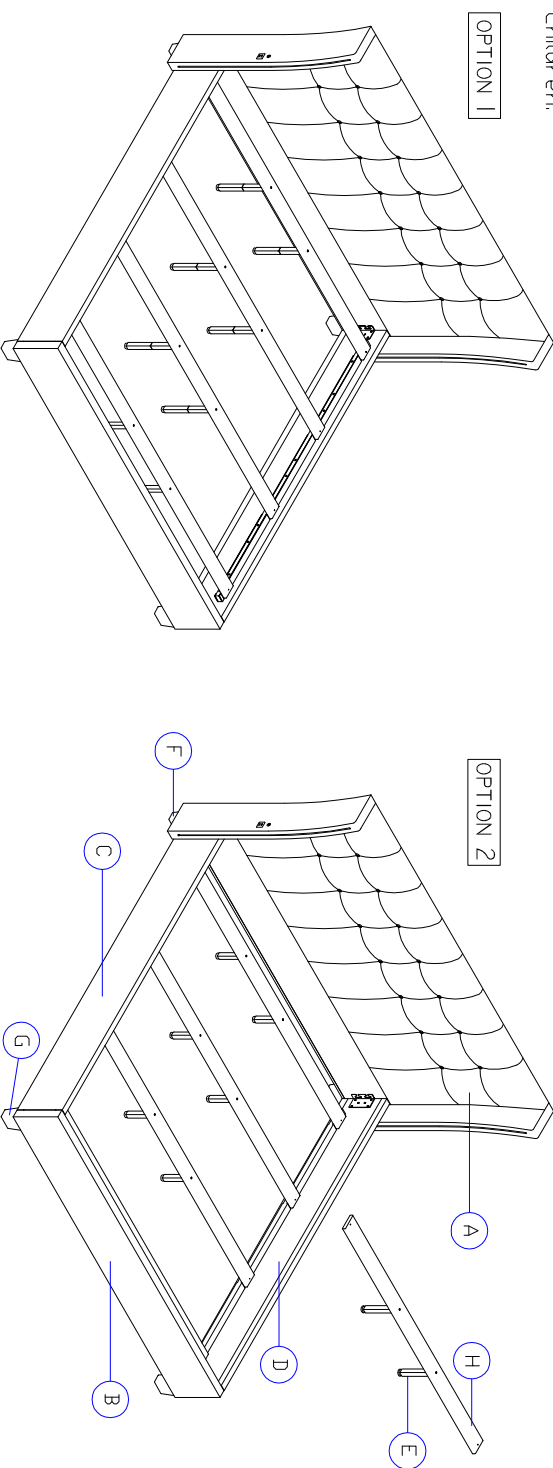


Thank you for purchasing this quality product. Be sure to check all packing material carefully for small parts, which may have come loose inside the carton during shipment. Identify and count all parts and compare with the Hardware List as below:

Hardware List:			
No.	Picture	Description	QTY
1		Machine Screw (Bolt)	8
2		Screw Driver	1
3		CSK Screw	8
4		AC Adaptor	1

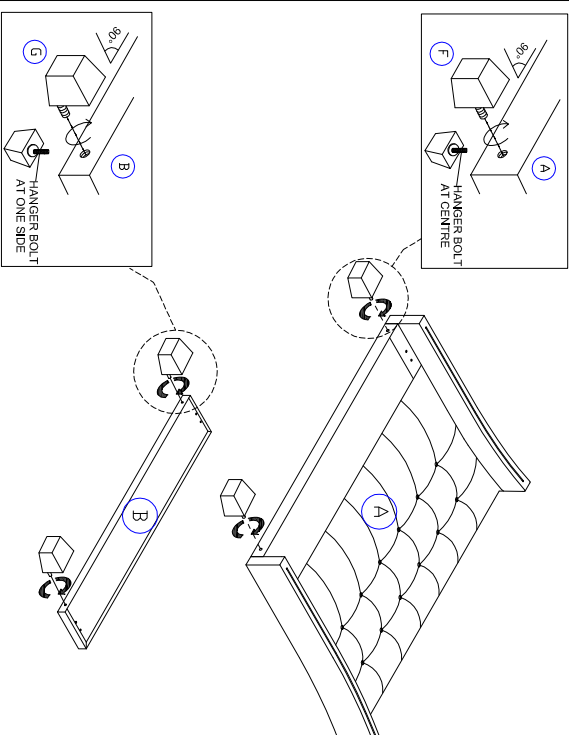
Parts List:							
No.	Picture	Description	QTY	No.	Picture	Description	QTY
(A)		Headboard	1	(D)		Side Rail (Right) Reversible	1
(B)		Footboard	1	(E)		Center Support Leg	8
(C)		Side Rail (Left) Reversible	1	(F)		Headboard Leg	2
				(G)		Footboard Leg	2
				(H)		Flat Slat	4

Warning!
 This product contains small parts and packaging that should be kept away and out of reach from all children.



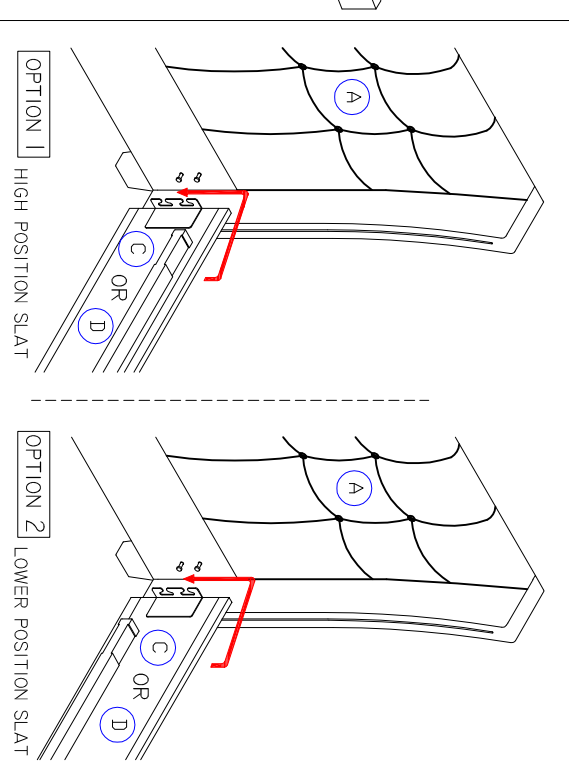
STEP 1 - ATTACHING LEGS TO HEADBOARD & FOOTBOARD

CAREFULLY UNPACK ALL ITEMS FROM THE CARTONS. ATTACH LEGS ON HEADBOARD (A) & FOOTBOARD (B). INSERT THE LEG INTO THE HEADBOARD & FOOTBOARD AS SHOWN.



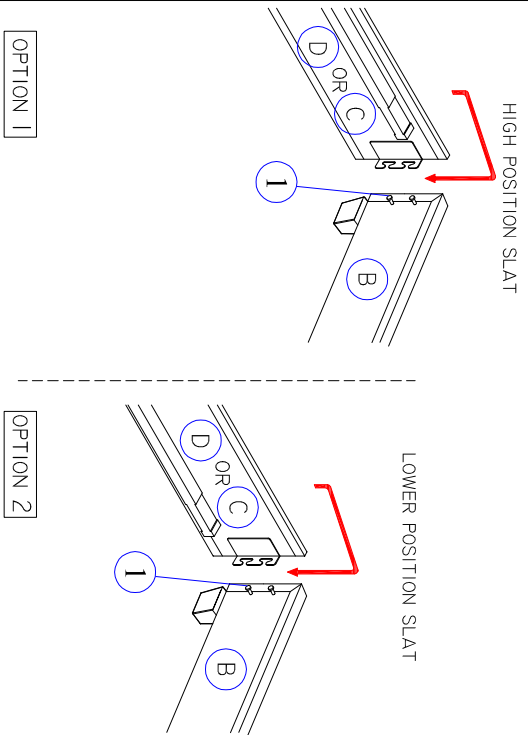
STEP 2 - ATTACHING SIDE RAIL TO HEADBOARD

CHOOSE BETWEEN HIGH OR LOWER SLAT POSITION BEFORE ATTACH THE SIDE RAIL. LOOSEN THE BOLTS, HOOK SIDE RAIL BRACKET OVER BOLTS (1) AND SCREW BOLTS TIGHTLY IN WITH THE SCREWDRIVER (2) PROVIDED.



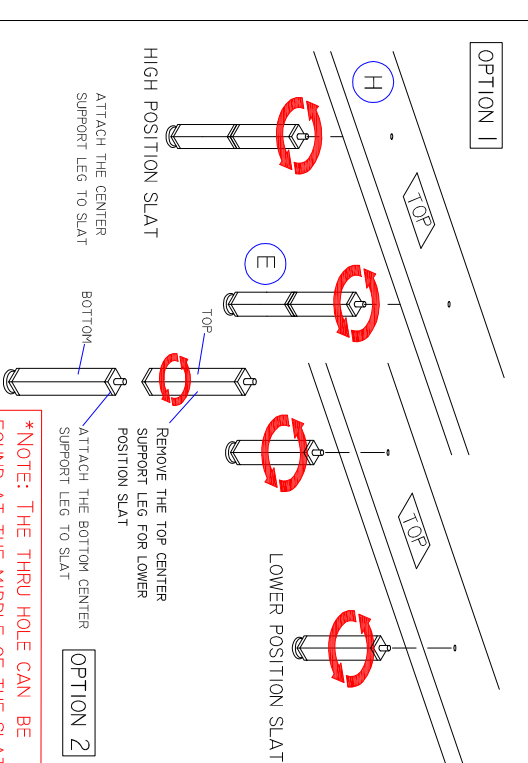
STEP 3 - ATTACHING SIDE RAIL TO FOOTBOARD

LOOSEN THE BOLTS, HOOK SIDE RAIL BRACKET OVER BOLTS (1) AND SCREW BOLTS TIGHTLY IN WITH THE SCREWDRIVER (2) PROVIDED.



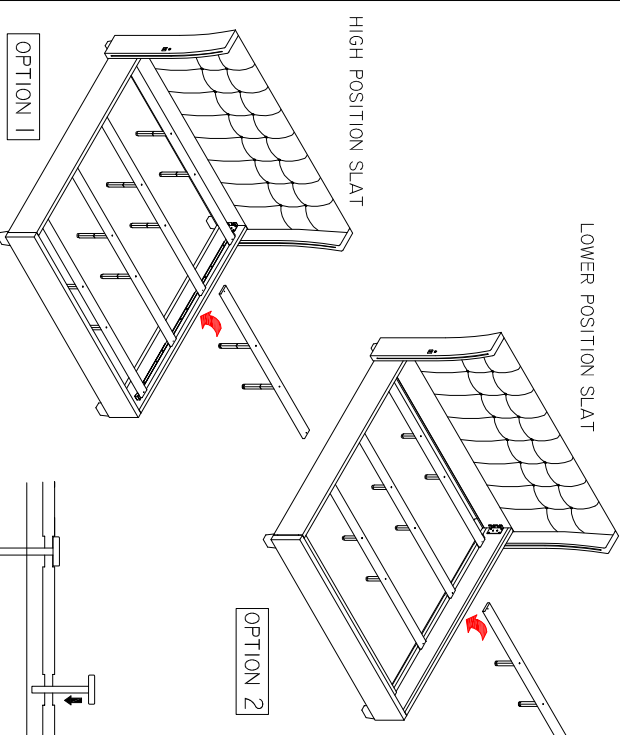
STEP 4 - ATTACHING CENTER SUPPORT LEG TO THE SLAT

TIGHTEN IN THE CENTER SUPPORT LEG TO THE INSERT NUT HOLE AT THE SLAT (H). FOR LOWER POSITION SLAT, REMOVE THE TOP CENTER SUPPORT LEG AND ATTACH THE BOTTOM CENTER SUPPORT LEG TO INSERT NUT HOLE AT SLAT.



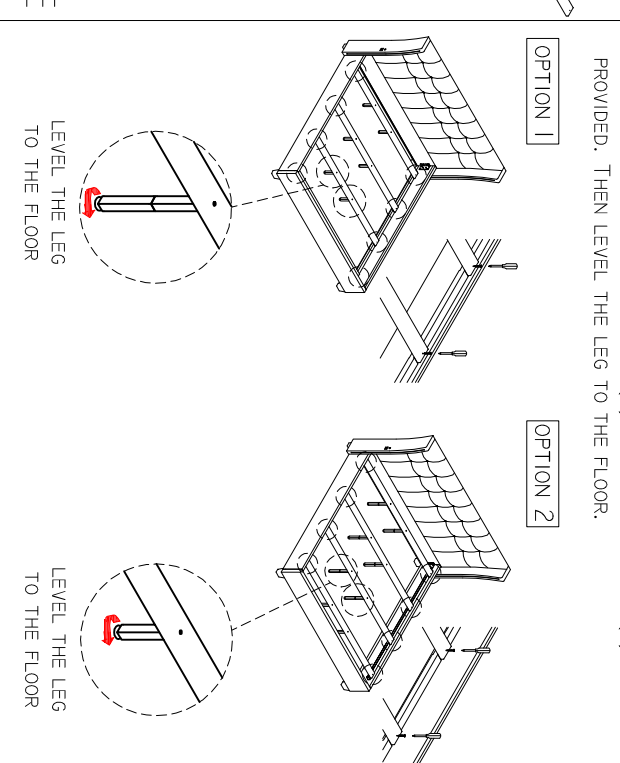
STEP 5 - ATTACHING SLAT TO THE BED

ATTACH THE SLAT (H) TO THE PLACE ARE READY AS SHOWN.



STEP 6 - ATTACHING CSK SCREW TO THE SLATS

FIX THE SLATS WITH CSK SCREW (3) USING SCREWDRIVER (2) PROVIDED. THEN LEVEL THE LEG TO THE FLOOR.

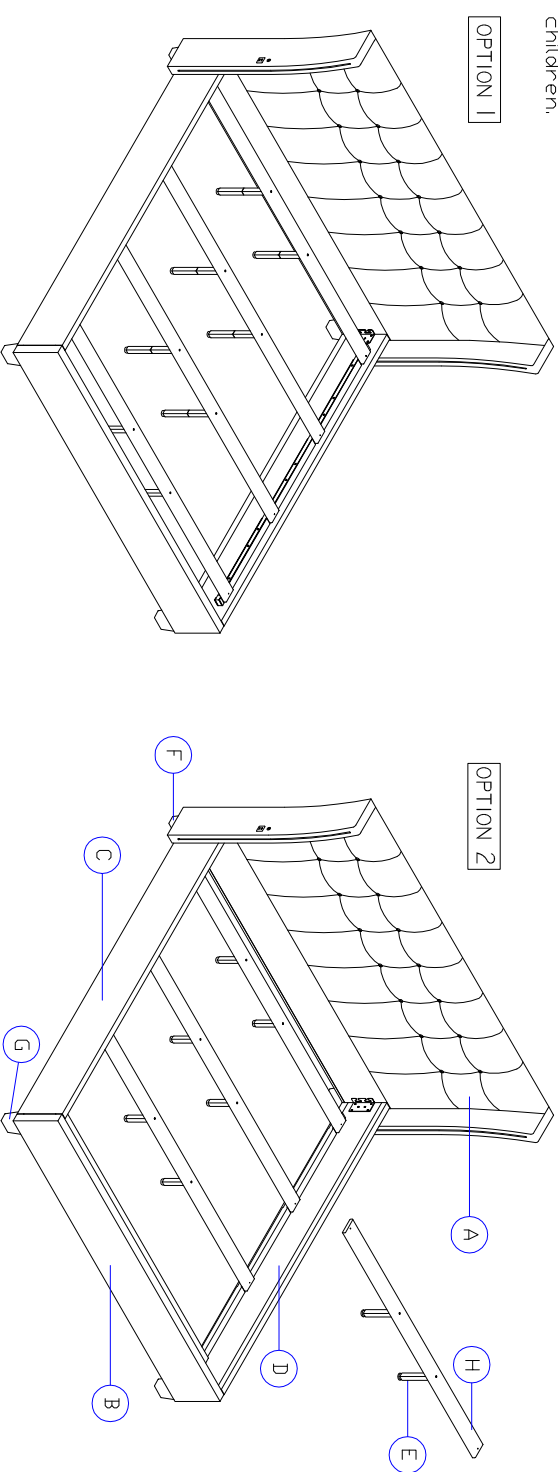


Thank you for purchasing this quality product. Be sure to check all packing material carefully for small parts, which may have come loose inside the carton during shipment. Identify and count all parts and compare with the Hardware List as below:

Hardware List:			
No.	Picture	Description	QTY
1		Machine Screw (Bolt)	8
2		Screw Driver	1
3		CSK Screw	8
4		AC Adaptor	1

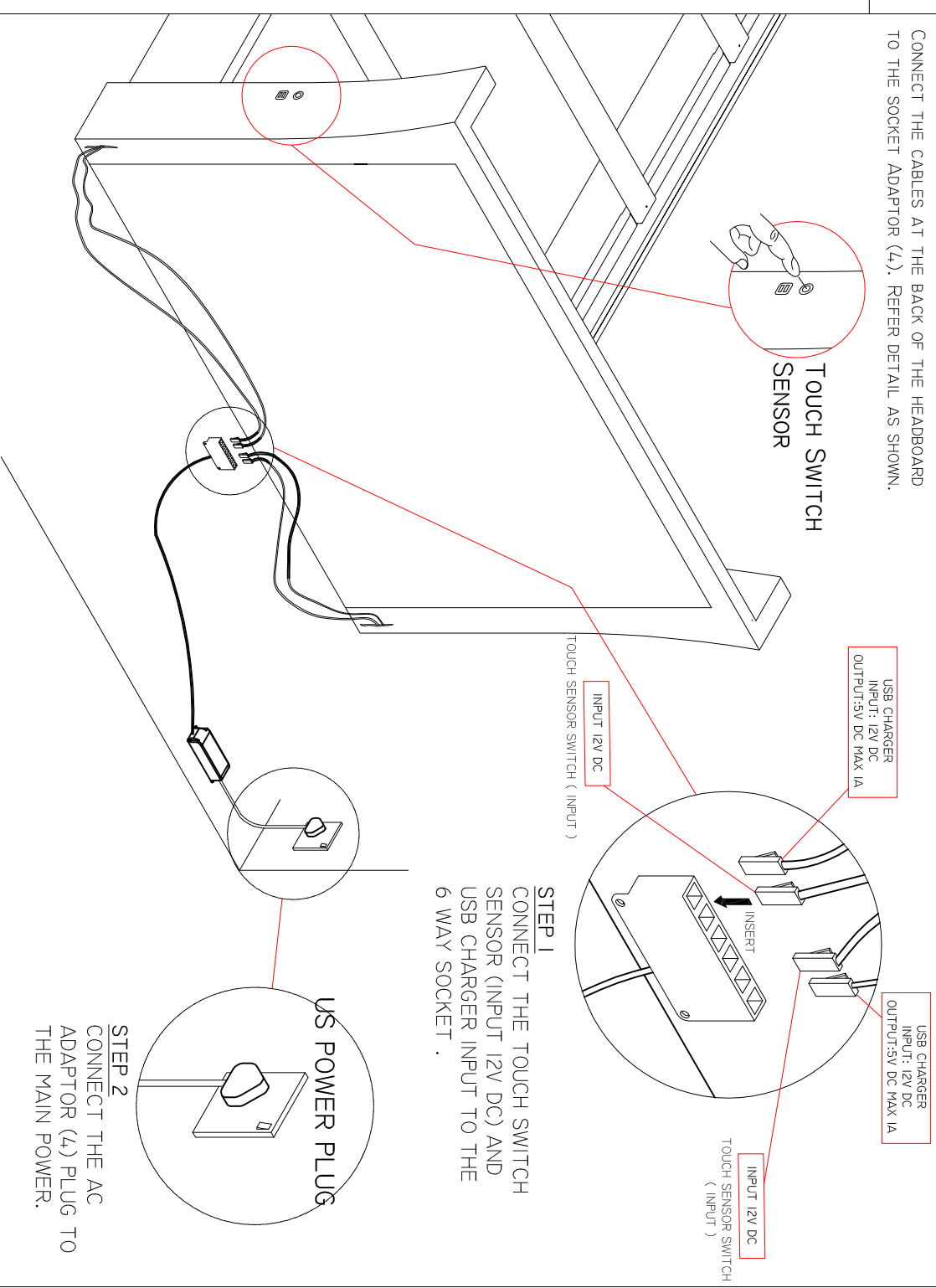
Parts List:							
No.	Picture	Description	QTY	No.	Picture	Description	QTY
A		Headboard	1	D		Side Rail (Right) Reversible	1
B		Footboard	1	E		Center Support Leg	8
C		Side Rail (Left) Reversible	1	F		Headboard Leg	2
				G		Footboard Leg	2
				H		Flat Slat	4

Warning!
This product contains small parts and packaging that should be kept away and out of reach from all children.



STEP 7 - CONNECT THE CABLES TO THE SOCKET

CONNECT THE CABLES AT THE BACK OF THE HEADBOARD TO THE SOCKET ADAPTOR (4). REFER DETAIL AS SHOWN.



STEP 1
CONNECT THE TOUCH SWITCH SENSOR (INPUT 12V DC) AND USB CHARGER INPUT TO THE 6 WAY SOCKET .

STEP 2
CONNECT THE AC ADAPTOR (4) PLUG TO THE MAIN POWER.

TOUCH SWITCH SENSOR FUNCTION USER GUIDE:-

1. MAKE SURE ALL THE CABLE CONNECTIONS ARE CORRECT.
2. SWITCH ON THE MAIN POWER SUPPLY.
3. TO TURN ON/OFF THE LED LIGHT, USE THE TOUCH SENSOR BESIDE THE USB CHARGER.

TOUCH SWITCH SENSOR ADJUSTING LED LIGHT (BRIGHTNESS / DIMMED) USER GUIDE :-

1. TOUCH THE SWITCH SENSOR TO SWITCH ON THE LED LIGHT.
2. AGAIN PRESS AND HOLD THE TOUCH SWITCH TO INCREASE OR DECREASE THE BRIGHTNESS. (NOTE: CONTINUE TO PRESS THE TOUCH SWITCH TO INCREASE BRIGHTNESS, RELEASE AND CONTINUE TO PRESS THE TOUCH SWITCH TO DECREASE THE BRIGHTNESS).
3. THE LED LIGHT WILL AUTOMATICALLY SET THE MEMORY TO THE LAST SETTING.

STEP 8 - FINAL TOUCH

YOUR BED IS NOW READY FOR ITS MATTRESS.

