
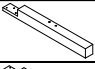
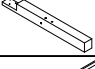

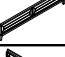


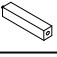
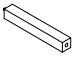





Assembly Instructions

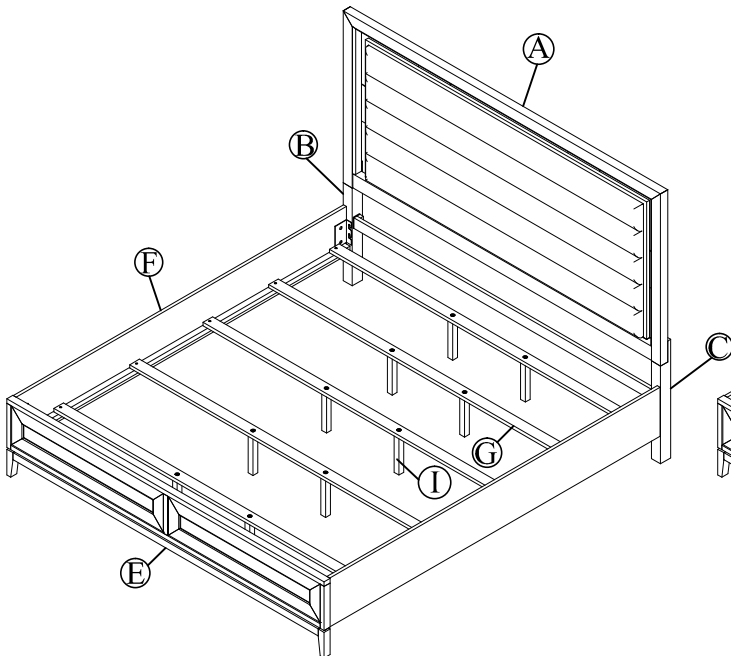
NAJA 7968-4 KING HEADBOARD SKU# 32479683
 NAJA 7968-8 KING FOOTBOARD SKU# 32879681
 NAJA 7968-9 QUEEN/KING RAILS SKU# 32979683

This product is manufactured by NAJA for **ROOMS TO GO** ▶

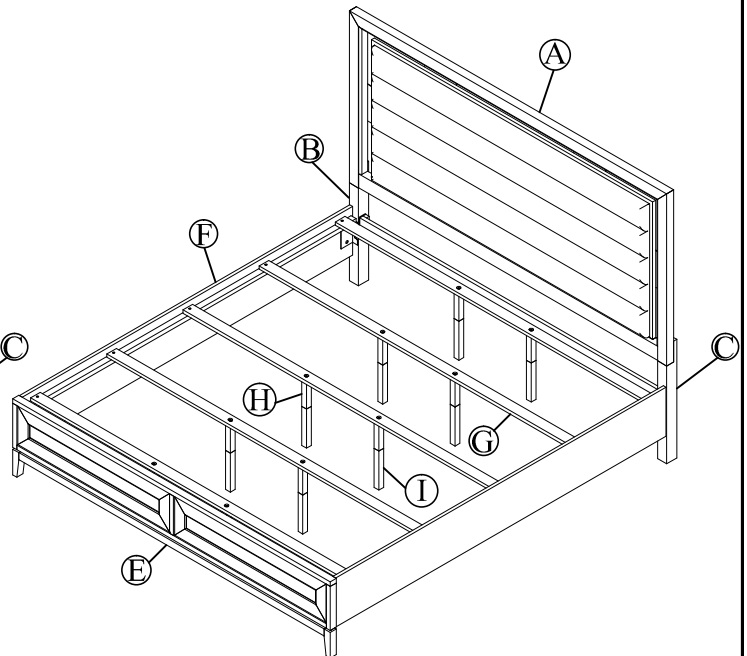
NO.	PARTS LIST		Q' TY
A	Headboard Panel		1
B	Left Headboard Leg		1
C	Right Headboard Leg		1
D	Bottom Rail		1
E	Footboard Panel		1
F	Side Rails		2
G	Slat		5
H	Slat supports 1		10
I	Slat supports 2		10

TOOLS REQUIRED (NOT PROVIDED)	
Description	Sketch
Phillips screwdriver	

NO.	HARDWARE LIST		Q' TY
1	Screw (#8x25mm)		10
2	Allen wrench (4mm)		1



OPTION 1



OPTION 2

Hardware Pack Location(s)

NAJA 7968-4 KING HEADBOARD SKU# 32479683
 NAJA 7968-8 KING FOOTBOARD SKU# 32879681

Assembly Instructions

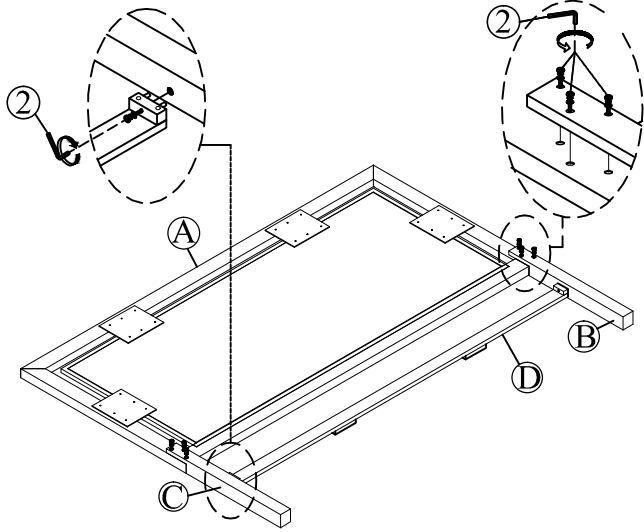
NAJA 7968-4 KING HEADBOARD SKU# 32479683

NAJA 7968-8 KING FOOTBOARD SKU# 32879681

NAJA 7968-9 QUEEN/KING RAILS SKU# 32979683

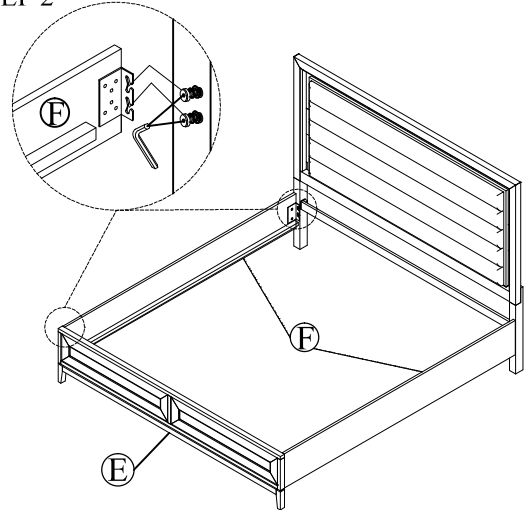
This product is manufactured by NAJA for **ROOMS TO GO** ▶

OPTION 1
STEP 1



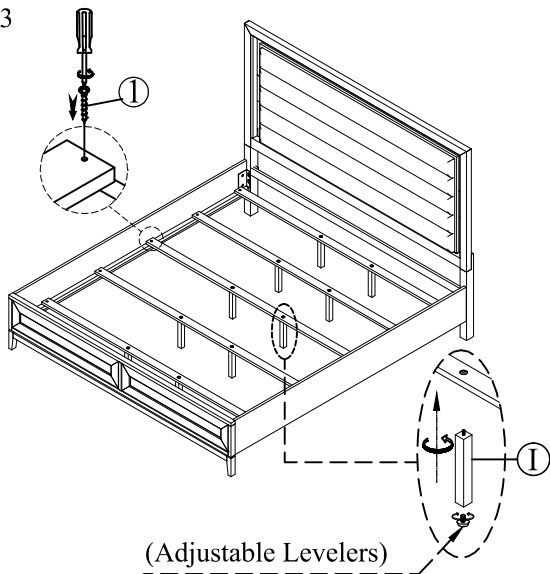
Assemble the legs with the HeadBoard
Assemble bottom rail with HeadBoard legs.
The bolts are pre-attached on the HB legs and bottom rails.
Do not tighten all bolts until HB is fully assembly

OPTION 1
STEP 2



Assemble the side rails to the HeadBoard and FootBoard
Bolts are pre-attached on the HB legs and the FB.

OPTION 1
STEP 3

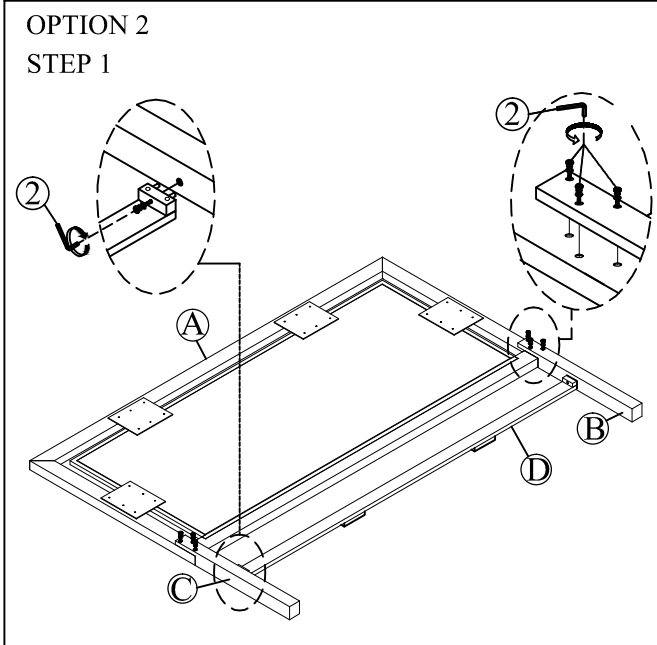


Assemble the support leg to slats
Screw the slats to the side rail cleats

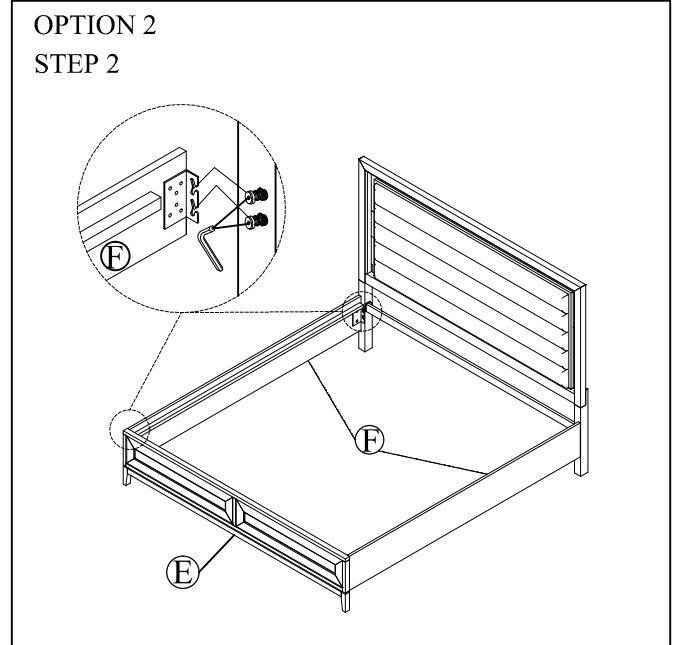
Assembly Instructions

NAJA 7968-4 KING HEADBOARD SKU# 32479683
 NAJA 7968-8 KING FOOTBOARD SKU# 32879681
 NAJA 7968-9 QUEEN/KING RAILS SKU# 32979683

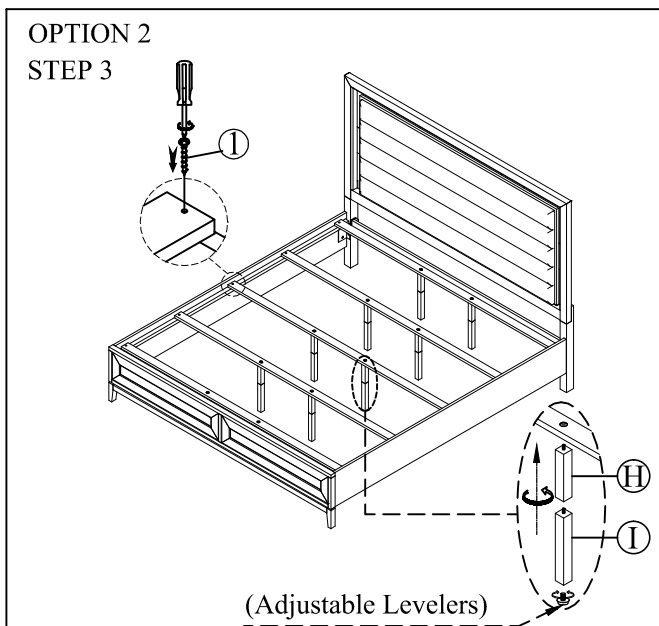
This product is manufactured by NAJA for **ROOMS TO GO** ▶



Assemble the legs with the HeadBoard
 Assemble bottom rail with HeadBoard legs.
 The bolts are pre-attached on the HB legs and bottom rails.
 Do not tighten all bolts until HB is fully assembly



Assemble the side rails to the HeadBoard and FootBoard
 Bolts are pre-attached on the HB legs and the FB.



Assemble the support leg to slats
 Screw the slats to the side rail cleats