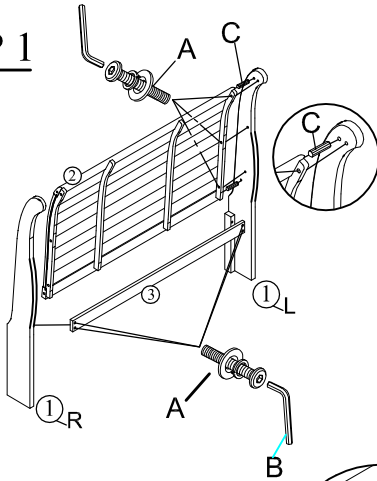


C8192A-GX0/C8192A-GTG/C8192A-GXJ/C8192A-BTN/C8192A-MXS KING STORAGE BED
C8192A-QX0/C8192A-QTG/C8192A-QXJ/C8192A-BTN/C8192A-MXS QUEEN STORAGE BED

Caution: Please read instructions thoroughly before unpacking assembly parts. Sharp, exposed staple tips can cause injury, therefore, for your protection, please remove any exposed staple used in packing.

1. We recommend that you should assemble this product with the assistance of another person; this will make assembly easier, and will help to eliminate damage to the product or injury to persons during assembly.
2. Be sure to check all packing materials carefully for small parts that may have come loose inside the carton during shipment.
3. please do not over tighten screws or bolts.
4. Please put all parts on a non-abrasive floor before assembly, and follow the assembly steps to assemble your newly purchased product correctly and efficiently.

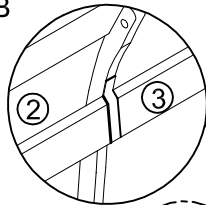
STEP 1



HARDWARE LISTS			
No.	OUTLOOK	SIZE	Q'TY
A		JCBC bolt 5/16"X18X38mm	10PCS
		Lock Washer 5/16"	10PCS
		Flat Washer 5/16"X19mmX1mm	10PCS
B		Allen Key	3PCS
C		Wooden Dowel Ø10*30mm	4PCS
D		JCBC Bolt 1/4"X20X38mm	12PCS
		Lock Washer 1/4"	12PCS
		Flat Washer 1/4"X19mmX1mm	12PCS
E		Wood Screw Ø8XØ4X1-1/4"	23PCS

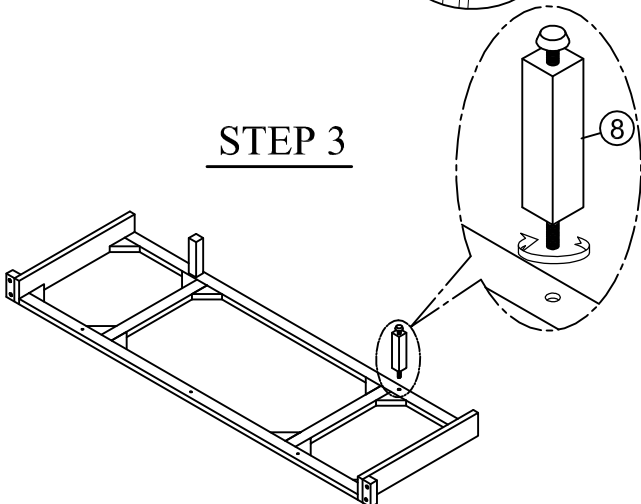
PART LISTS			
No.	Description	Sketch	Quantity
①	Headboard Leg (L&R)		2PCS
②	Headboard panel		1PC
③	Headboard bottom rail		1PC
④	Siderail (L&R)		2PCS
⑤	Footboard		1PC
⑥	Bottom frame for drawer of siderail		2PCS
⑦	Bottom frame for drawer of footboard		1PC
⑧	Support leg of bottom frame		6PCS
⑨	Drawer for siderail		4PCS
⑩	Drawer for footboard		2PCS
⑪	Center Slat		1PC
⑫	Support leg for center slat		5PCS
⑬	Slats		1SET (13PCS)

STEP 2

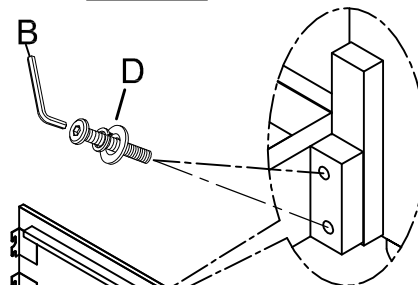


Bottom rail on the back of headboard

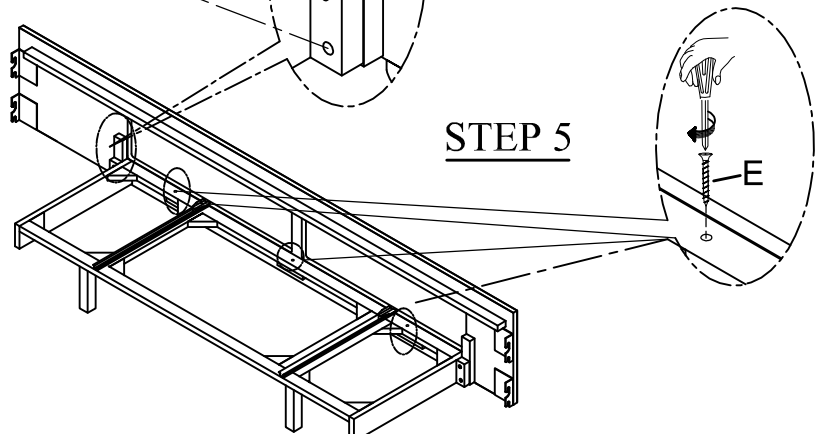
STEP 3



STEP 4



STEP 5

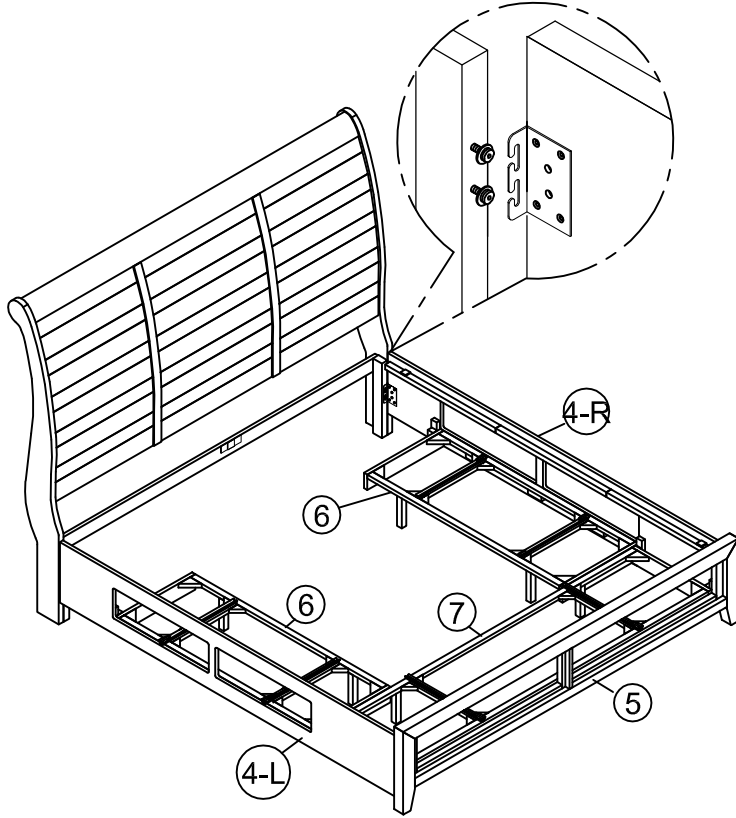


Repeat STEP 4 & 5 for the assembly of another siderail & siderail drawer bottom frame, the assembly of footboard & footboard drawer bottom frame.

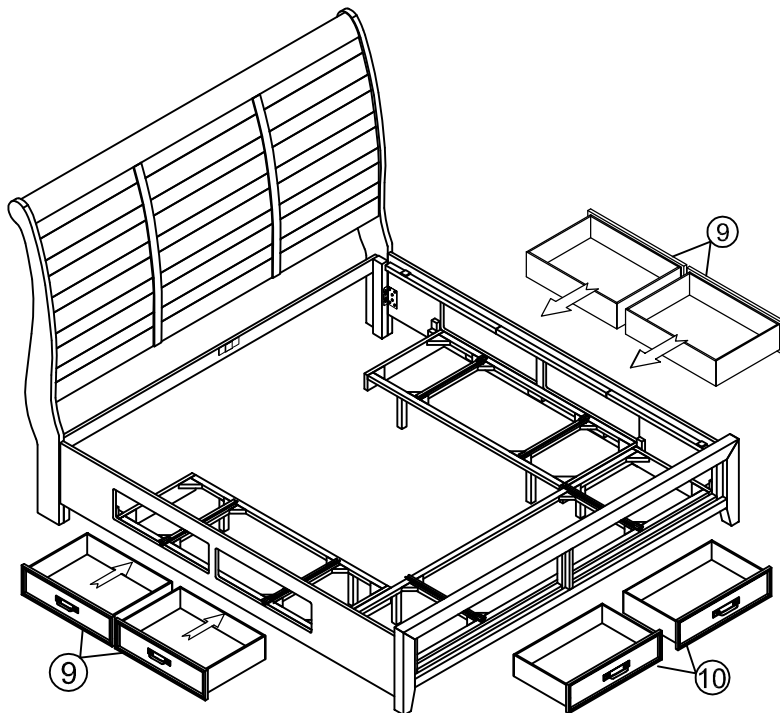
Remarks: If the drawers cannot be fully closed after assembly, the bottom of the footboard frame can be adjusted slightly to resolve the issue.

C8192A-GX0/C8192A-GTG/C8192A-GXJ/C8192A-BTN/C8192A-MXS KING STORAGE BED
C8192A-QX0/C8192A-QTG/C8192A-QXJ/C8192A-BTN/C8192A-MXS QUEEN STORAGE BED

STEP 6



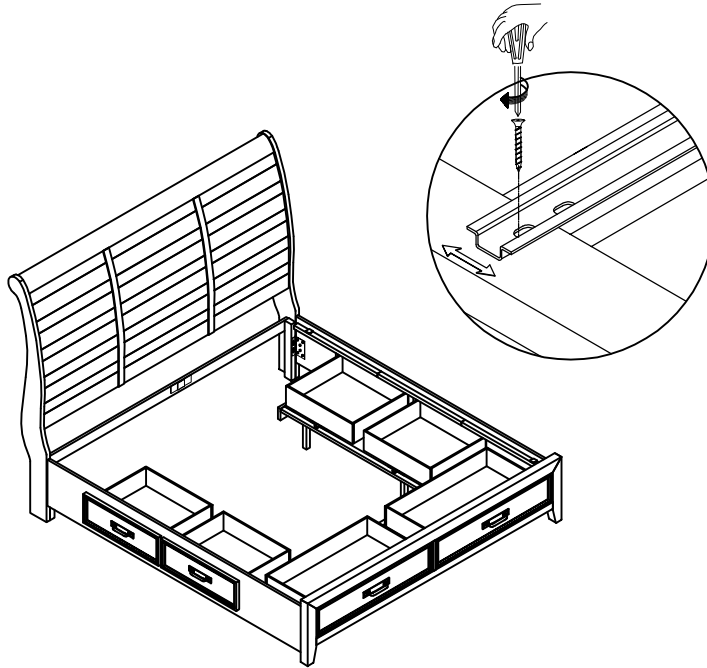
STEP 7



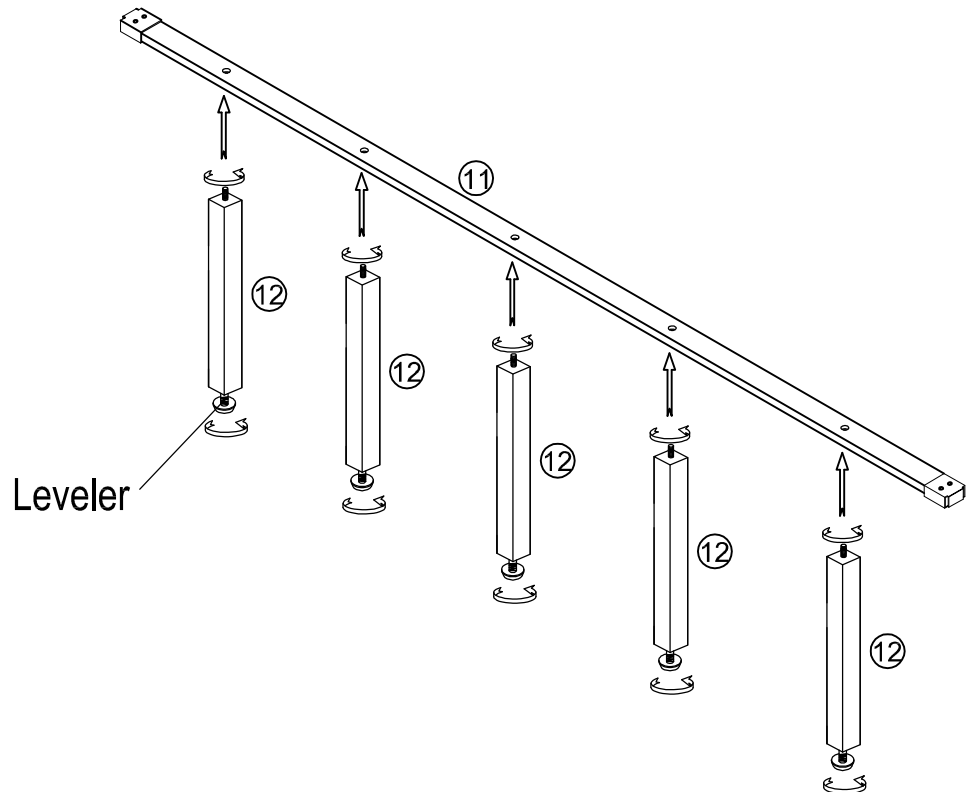
C8192A-GX0/C8192A-GTG/C8192A-GXJ/C8192A-BTN/C8192A-MXS KING STORAGE BED
C8192A-QX0/C8192A-QTG/C8192A-QXJ/C8192A-BTN/C8192A-MXS QUEEN STORAGE BED

- IMPORTANT NOTES:**
1. Make sure the headboard and footboard form 90° angles with the siderails when assembled.
 2. Adjust the drawer glide screws on the drawer slats to eliminate any gaps between the siderails and the drawer front panel, See STEP 8 below.

STEP 8

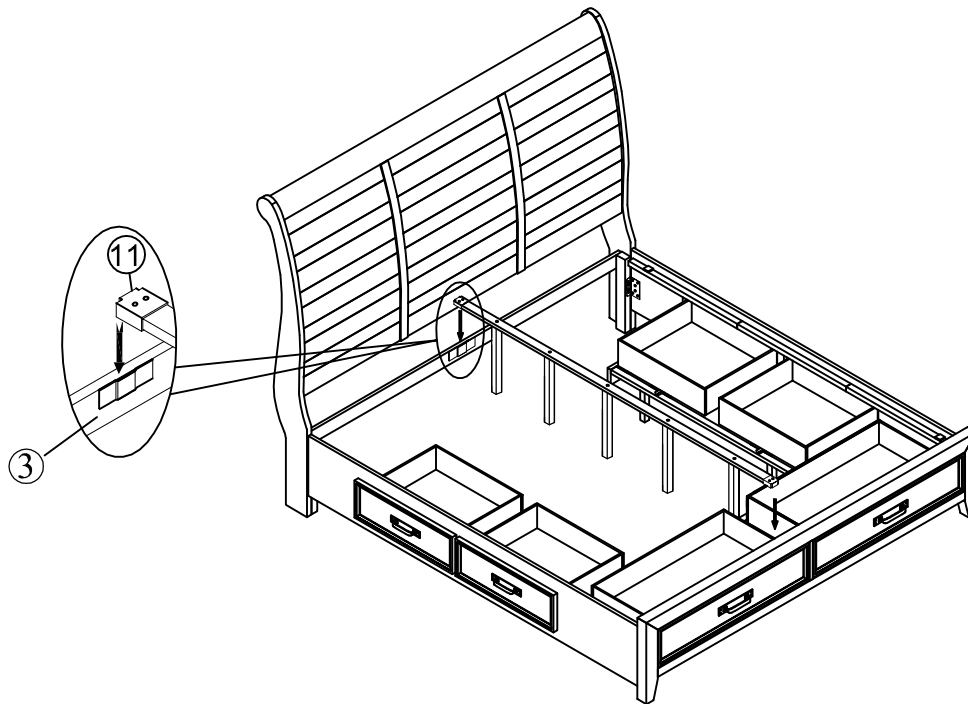


STEP 9

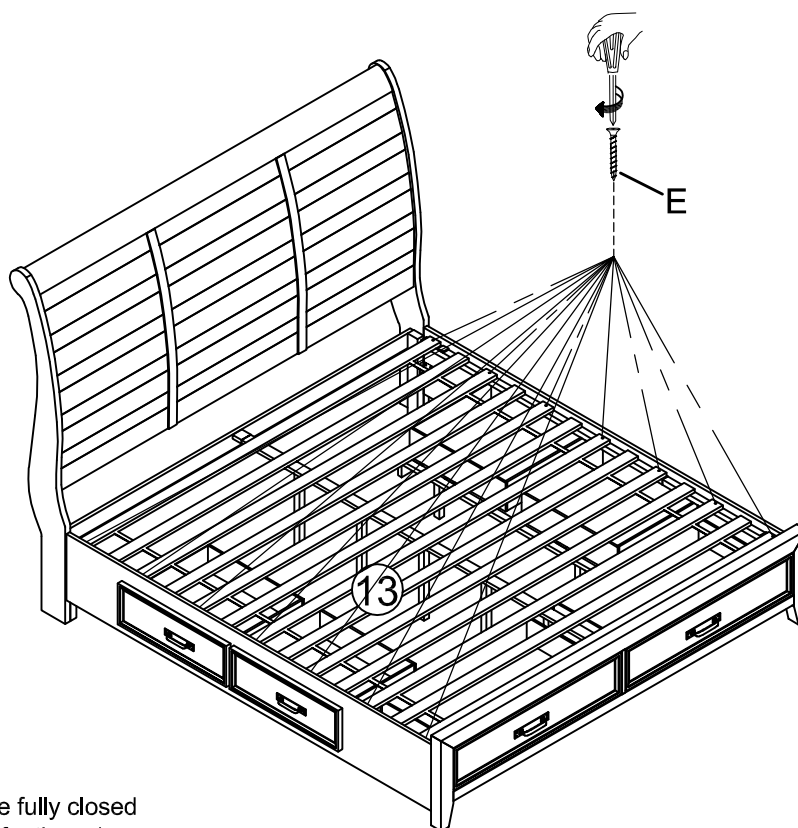


C8192A-GX0/C8192A-GTG/C8192A-GXJ/C8192A-BTN/C8192A-MXS KING STORAGE BED
C8192A-QX0/C8192A-QTG/C8192A-QXJ/C8192A-BTN/C8192A-MXS QUEEN STORAGE BED

STEP 10



STEP 11



Remarks: If the drawers cannot be fully closed after assembly, the bottom of the footboard frame can be adjusted slightly to resolve the issue.