

ASSEMBLY INSTRUCTION


DVDR 957-540HB KING HEADBOARD
 DVDR 957-541FB KING FOOTBOARD
 DVDR 957-510SR QUEEN/KING SIDE RAILS

SKU# 32495714
 SKU# 32895712
 SKU# 32995714

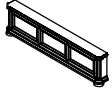

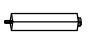
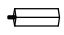
Version#1 -20/05/2025

Thank you for purchasing this quality product. Be sure to check all packing material carefully for small parts that may have come loose inside the carton during shipment.

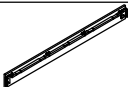
PARTS LIST

No.	Description	Picture	Q'ty
1	King Headboard		1Pc




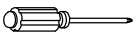
PARTS LIST

No.	Description	Picture	Q'ty
2	King Footboard		1Pc
3	Slats		5Pcs
4	Long Support Leg		10Pcs
5	Short Support Leg		10Pcs

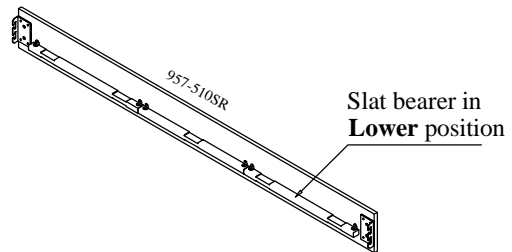
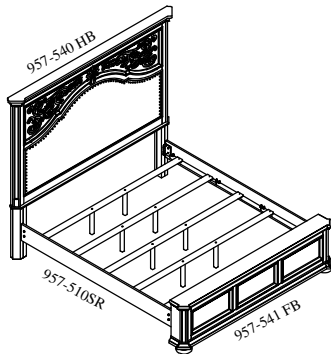
PARTS LIST

No.	Description	Picture	Q'ty
6	Side Rails		2Pcs

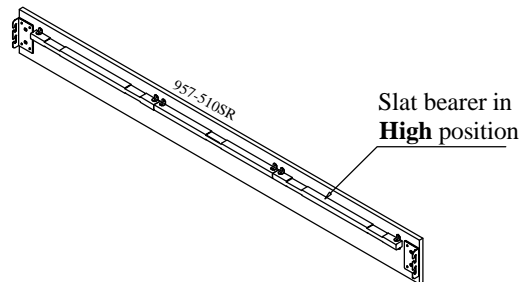
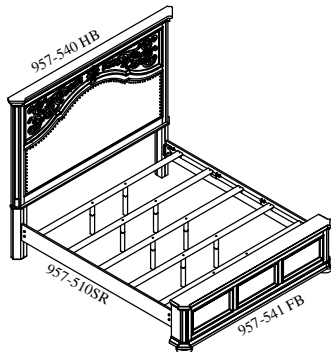
HARDWARE LIST

LIST OF HARDWARE			
No.	Description	Picture	Q'ty
Pre-installed on Part 1 & 2	Allen Head Bolt $\phi 5/16"$ -18 x 1" PRE-INSTALLED		8Pcs
	Spring Washer $\phi 5/16"$ PRE-INSTALLED		8Pcs
	Flat Washer $\phi 5/16"$ x 19*2mm PRE-INSTALLED		8Pcs
A	Allen Key 4mm		1Pc
B	Screw #8 x 1"		10Pcs
TOOL REQUIRED (NOT PROVIDED)			
		Phillip Screwdriver	

OPTION - 1



OPTION - 2



Hardware Pack Location (S):957-541FB KING FOOTBOARD - SKU # 32895712

Manufactured by DVDR for Rooms To Go

MADE IN VIETNAM

Thank you for purchasing this quality product. Be sure to check all packing material carefully for small parts that may have come loose inside the carton during shipment.

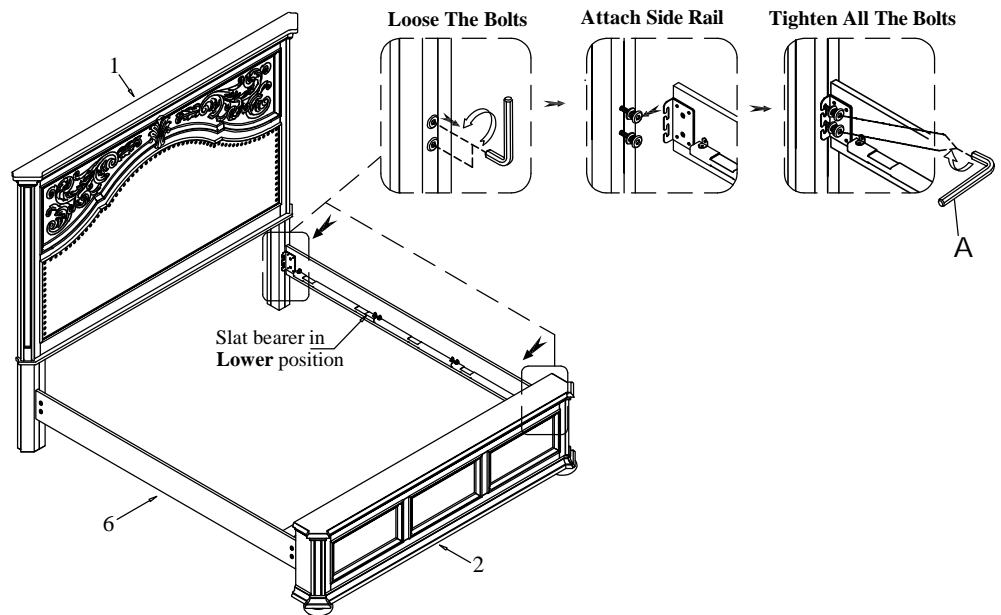
OPTION -1: Assembly Queen Bed with Slat bearer in Lower Position

STEP 2: Assemble the Side Rails to the Headboard. Use an Allen Key to tight the nut. Similarly, install the Side Rails for the Footboard.

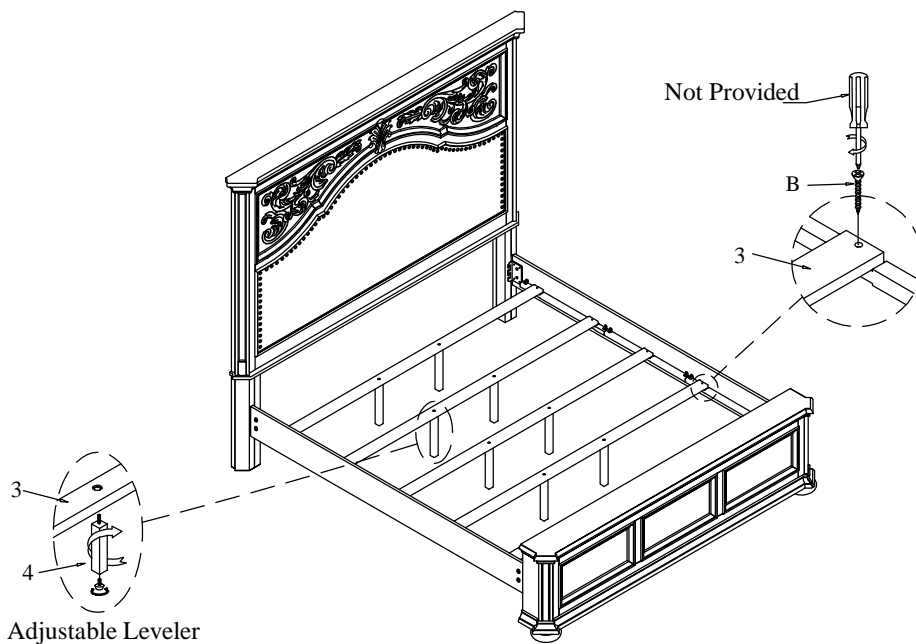
STEP 3: Assemble the Support Legs to the Slat. When installing, the Support Legs needs to be tightened to fit your hand and adjust Leveler on Support Legs for balance.

STEP 4: Place the Slat in the correct position on Side Rails. Then use an screwdriver to screw Slats into the Side Rails to secure it. Screwdriver (Not Provided) .

STEP 2



STEP 3



STEP 4

Hardware Pack Location (S):957-541FB KING FOOTBOARD - SKU # 32895712

Manufactured by DVDR for Rooms To Go

MADE IN VIETNAM

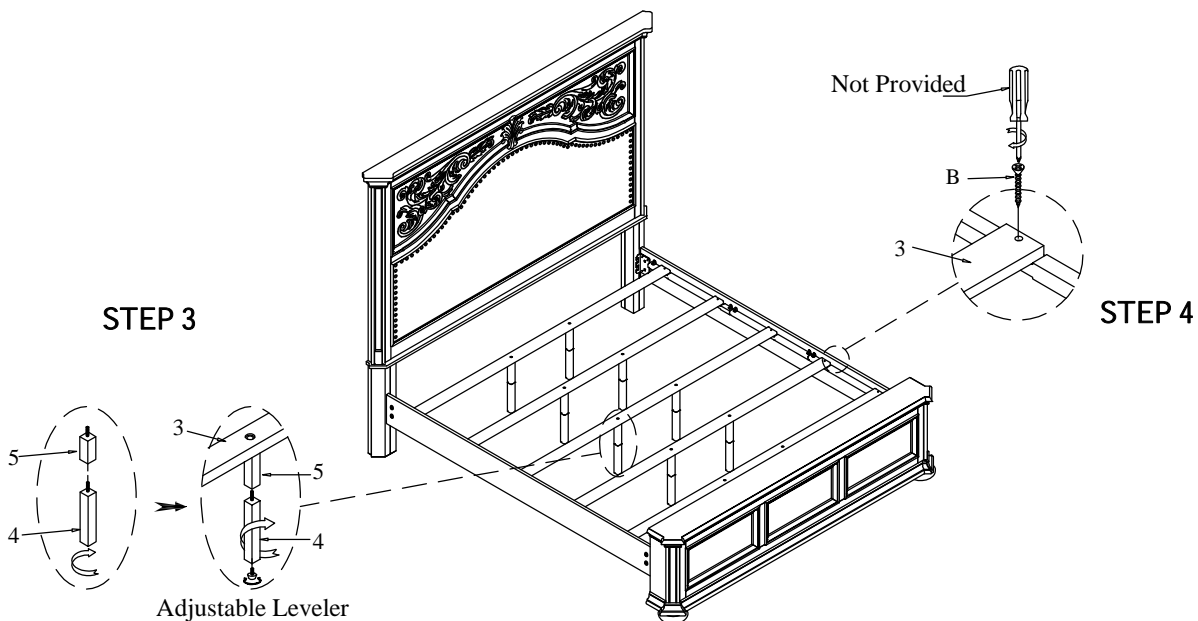
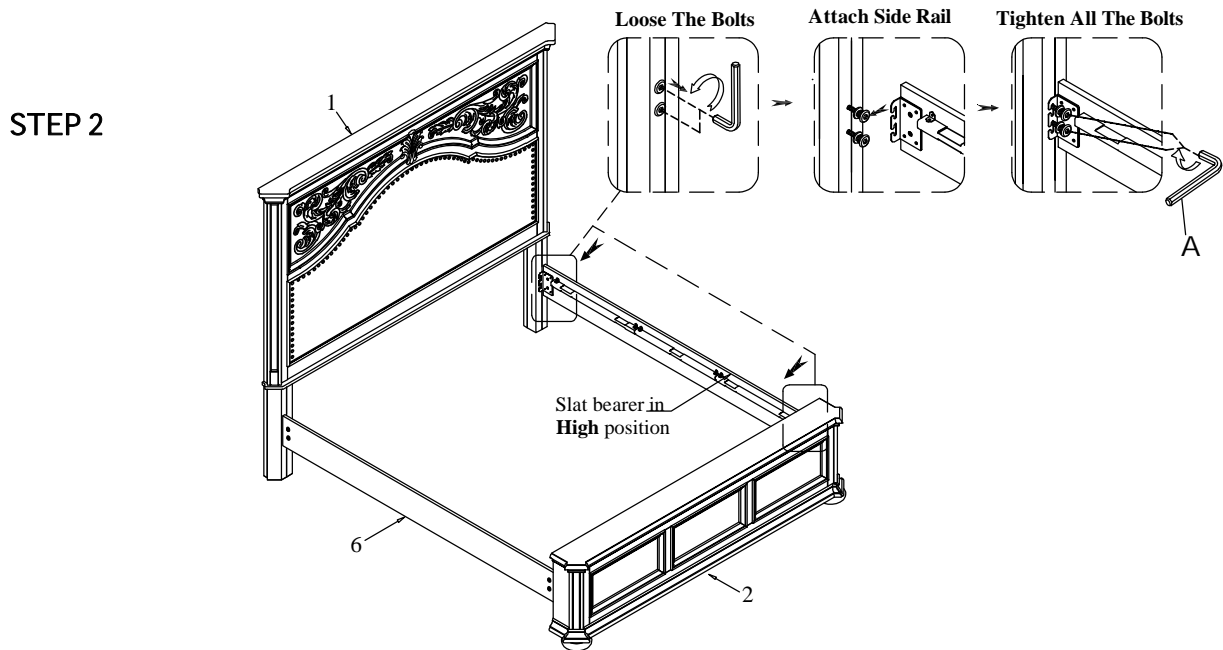
Thank you for purchasing this quality product. Be sure to check all packing material carefully for small parts that may have come loose inside the carton during shipment.

OPTION -2: Assembly Queen Bed with Slat bearer in High Position

STEP 2: Assemble the Side Rails to the Headboard. Use an Allen Key to tight the nut. Similarly, install the Side Rails for the Footboard.

STEP 3: Screw the short Support Legs into the long Support Legs. Then, screw the newly installed bar into the bed slats. When installing, you need to tighten the Slat Support Legs bar to fit your hand and adjust the Leveler on the Support Legs for balance .

STEP 4: Place the Slat in the correct position on Side Rails. Then use a screwdriver to screw Slats into the Side Rails to secure it. Screwdriver (Not Provided) .



Hardware Pack Location (S):957-541FB KING FOOTBOARD - SKU # 32895712

Manufactured by DVDR for Rooms To Go

MADE IN VIETNAM