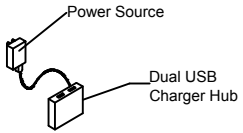


Assembly Instructions

0613-5 NIGHTSTAND SKU#32506137

Manufactured BY FRNR for Rooms To Go

WIRELESS CHARGING DIAGRAM



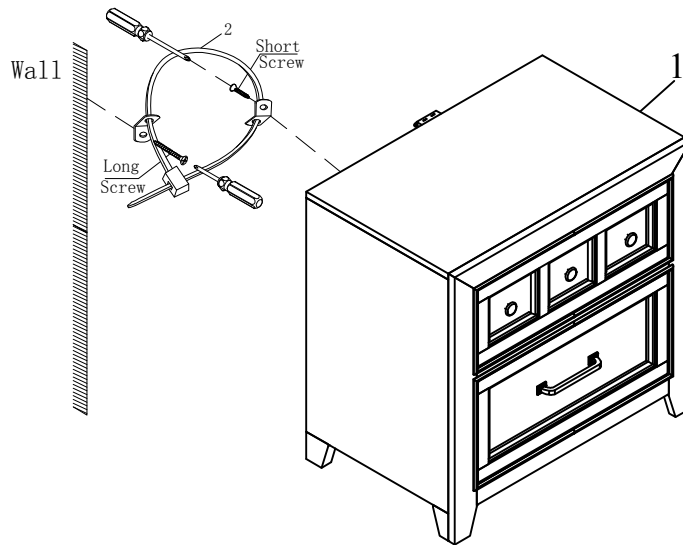
PARTS LIST



1. Nightstand - 1 Pc



2. Anti-tip Restraint - 1Pc



HARDWARE PACK LOCATION(S):

FRNR 0613-5 NIGHTSTAND SKU#32506137