



PNWD

Assembly Instructions

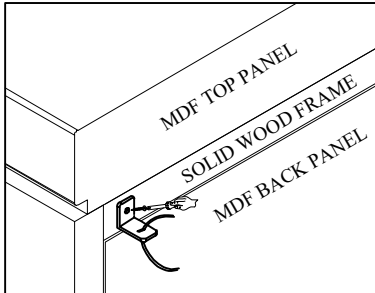
Manufactured for
Rooms To Go

1733-NN

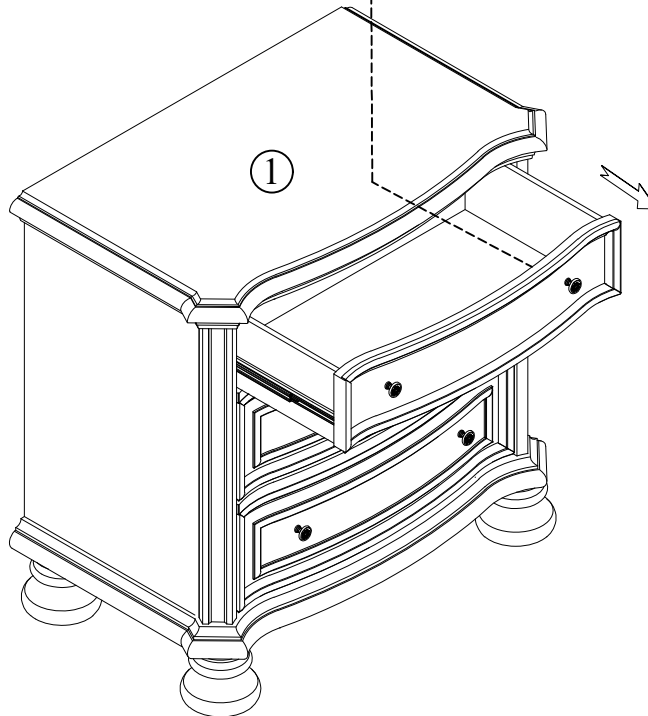
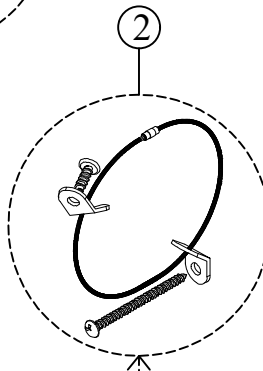
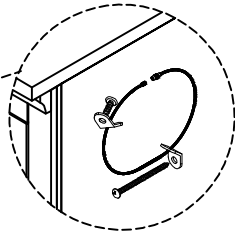
NIGHTSTAND

SKU# 32517344

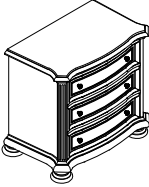

* Remarks: Tipping Restraint kit provided must be install to solid woodback frame only. Do not install to mdf top panel or MDF back panel.



Tool Required: Philip screwdriver
(not provided)



PARTS LIST

| |
|---|
|  |
| 1. Nightstand - 1 Pc |
|  |
| 2. Anti-tip Restraint - 1 Pc |

HARDWARE PACK LOCATION(S):

PNWD

1733-NN

NIGHTSTAND

SKU# 32517344