

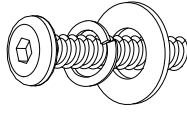


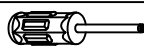
ASSEMBLY INSTRUCTION

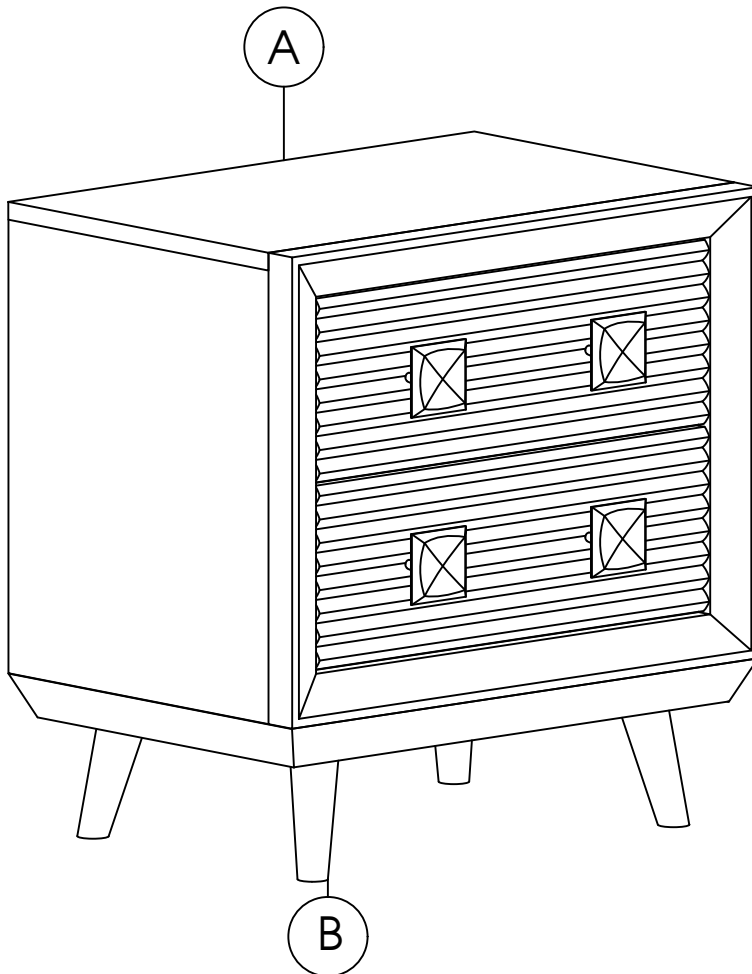
RHHL

2095 - 410 NIGHTSTAND

SKU 32520959

Thank you for purchasing this quality product. Be sure to check all packing materials carefully for small parts which may have come loose inside the carton during shipment. Identify and count all parts and compare with the parts list below.

HARDWARE LIST	NO.	Picture	Description	Dimension	Q'TY
	1		Flat Washer	1/4" x 16mm x 2mm	12 pcs
			Spring Washer	1/4" x 1.1mm	12 pcs
			Bolt	1/4" x 20 x 1-1/2"	12 pcs
	2		Allen Key	4 x 2-3/8"	1 pc
	3		Furniture Tipping Restraint		1 Set
4		Tool Required (not provided)			
COMPONENT LIST	NO.	Description			Q'TY
	A	Nightstand			1 pc
	B	Legs			2 Sets



Children have died from furniture tipover. To reduce the risk of furniture tipover:

- ALWAYS install tipover restraint provided.
- NEVER put a TV on this product.
- NEVER allow children to stand, climb or hang on drawers, doors, or shelves.
- NEVER open more than one drawer at a time.
- Place heaviest items in the lowest drawers.

PARTS DETAILS

Hardware pack locations
2095 - 410 Nightstand, SKU#32520959

This product is manufactured RHHL for

ROOMS TO GO®

ASSEMBLY INSTRUCTION

RHHL

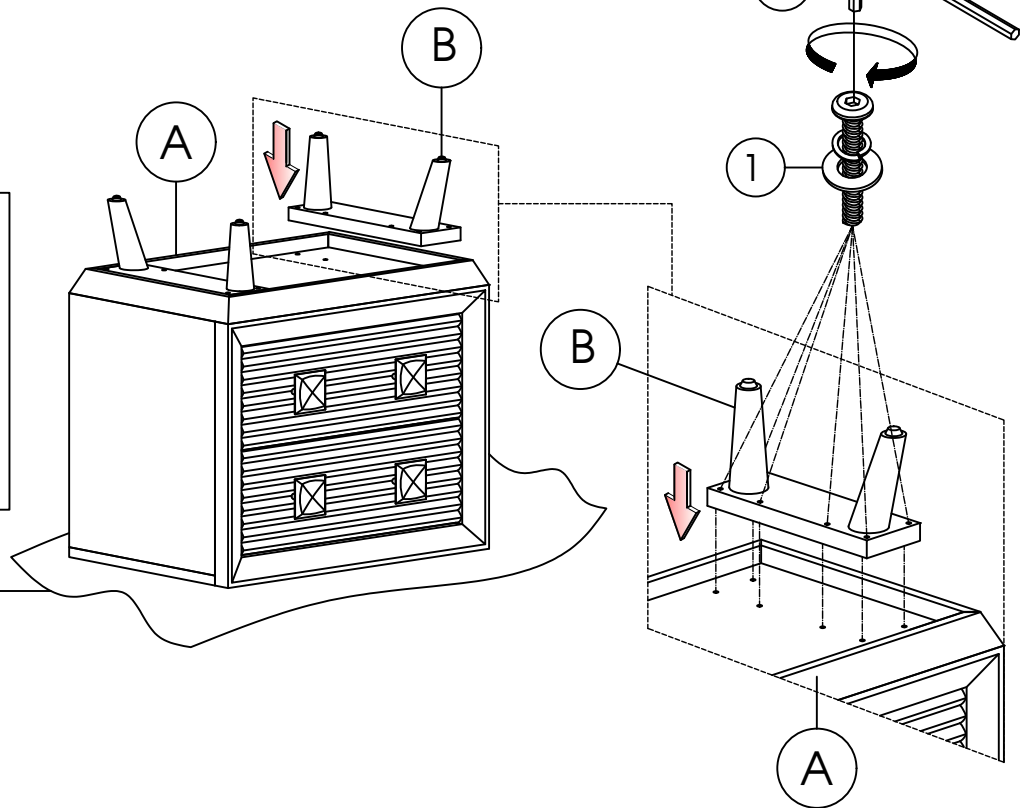
2095 - 410 NIGHTSTAND

SKU 32520959

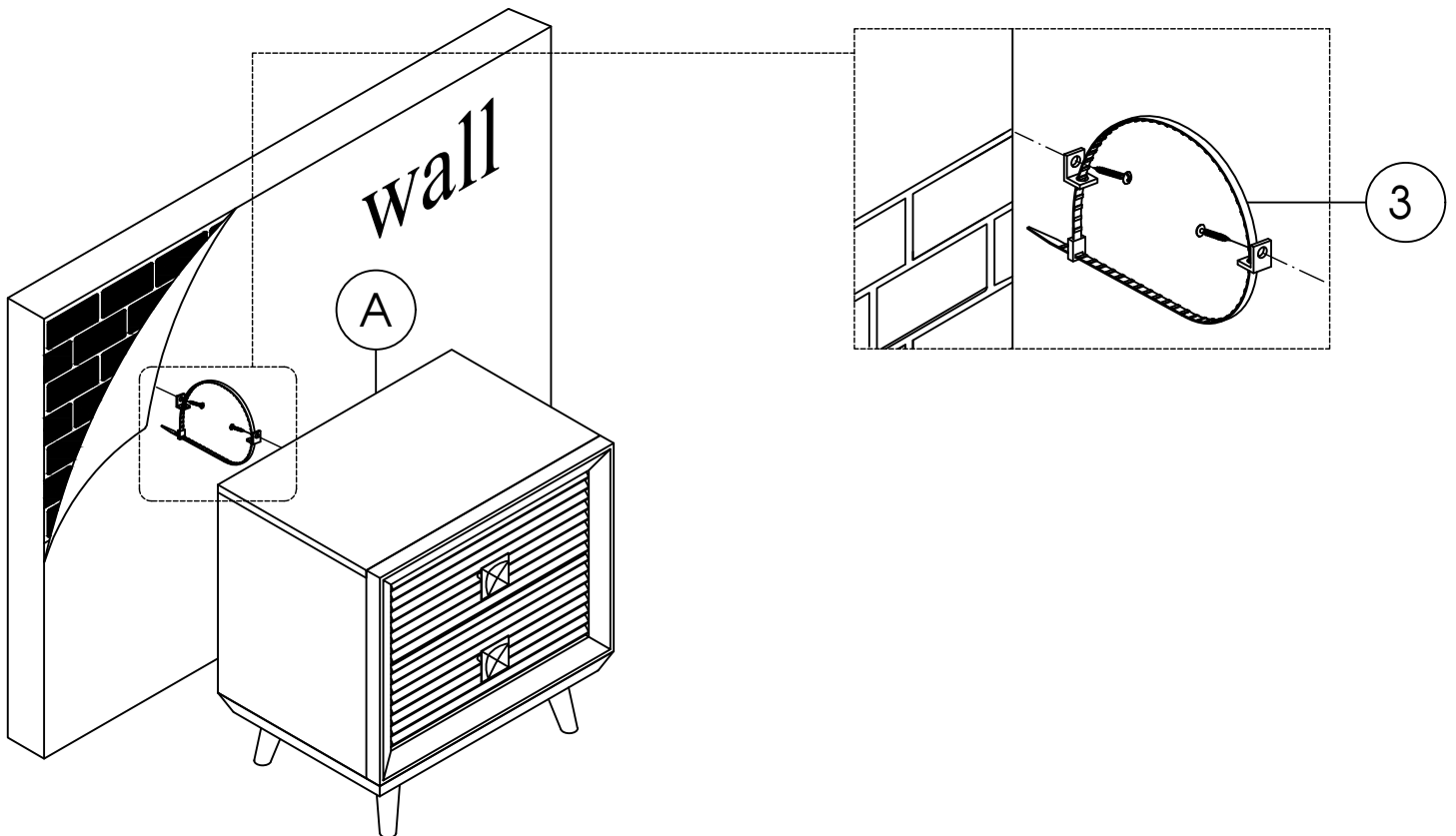
ASSEMBLY STEP

STEP 1 To assemble leg to the Nightstand

Place Nightstand on a clean and smooth surface such as a rug or carpet to avoid the Nightstand surface from being scratched



STEP 2 Attached the anti-tipping kit to the wall



This product is manufactured **RHHL** for

ROOMS TO GO 