

Assembly Instructions



Sofia Vergara
COLLECTION

NAJA BDPAT2NS
32523866 2386-5 NIGHTSTAND WHITE LIGHT
NAJA BDPAT2NSC
32523878 2387-5 NIGHTSTAND BROWN

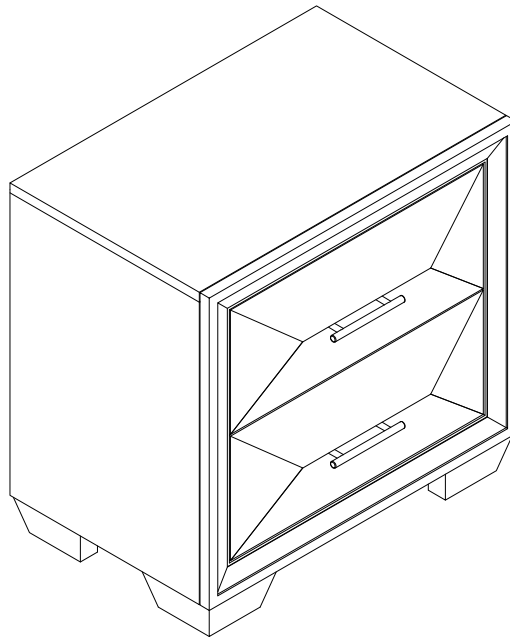
Thank you for purchasing this quality product. Be sure to check all packing material carefully for small parts, which may have come loose inside the carton during shipment. Identify and count all parts and compare with the HARDWARE LIST below.

Caution : Please read instructions thoroughly before unpacking assembly parts.

1. We recommend that you should assemble this product with the assistance of another person; this will make assembly easier, and will help to eliminate damage to the product or injury to persons during assembly.
2. Please do not over tighten screws or bolts until the assembly is completed.
3. Please put all parts on a non - abrasive floor before assembly, and follow the assembly steps to assemble your newly purchased product correctly and efficiently.

NO.	HARDWARE LIST	Q'TY
1	 Furniture tipping restraint	1
	 The screwdriver is not included	

Step 1

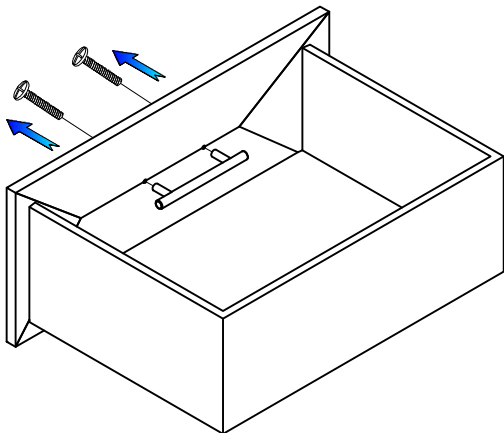
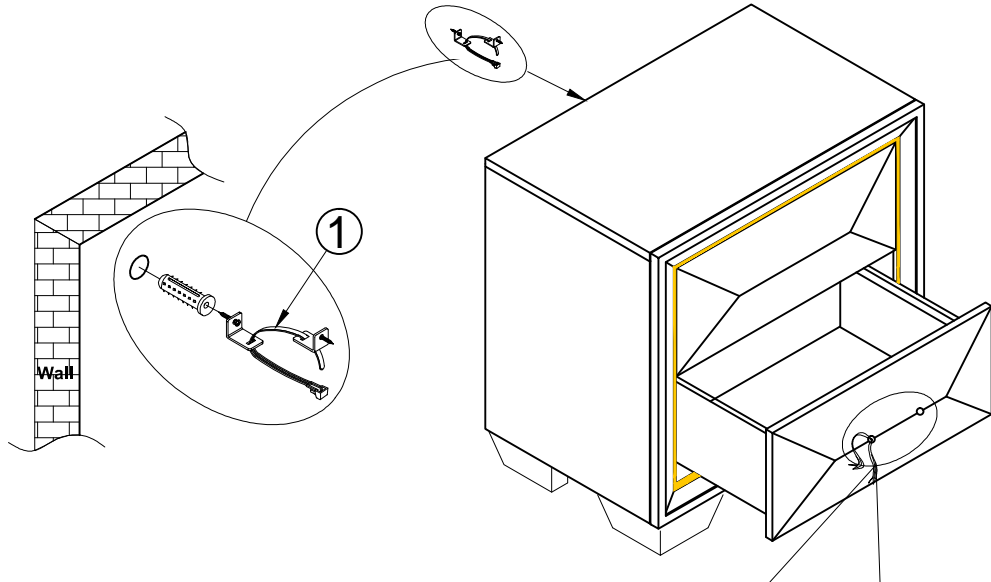


Assembly completed

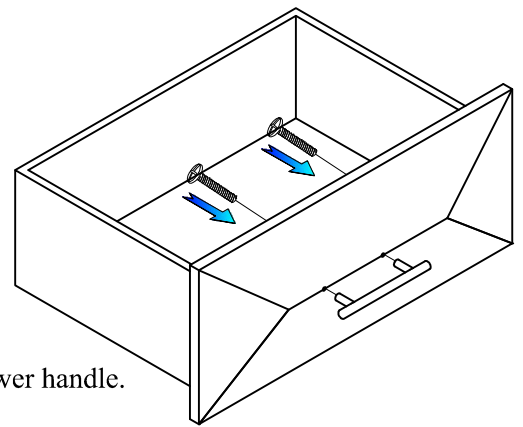
Made in VietNam

NAJA BDPAT2NS
32523866 2386-5 NIGHTSTAND WHITE LIGHT
NAJA BDPAT2NSC
32523878 2387-5 NIGHTSTAND BROWN

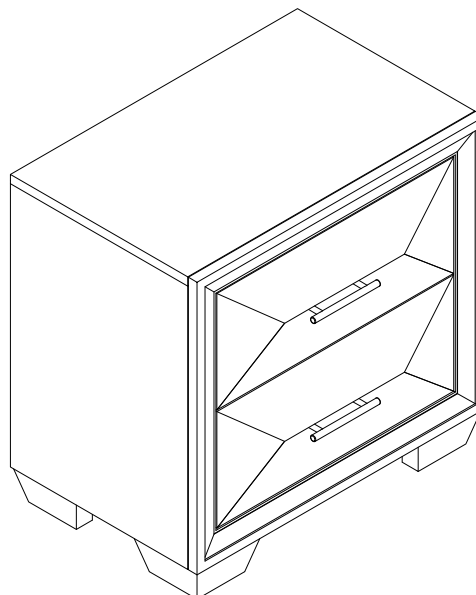
Step 2



#1 - The handle need to disassemble from the inside of drawer to the outside where are located property after unpacking



#2 - install drawer handle.



Assembly completed

Made in VietNam