



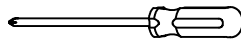
Version #1 - 2024/07/30

Thank you for purchasing this quality product. Be sure to check all packing material carefully for small parts, which may have come loose inside the carton during shipment. Identify and count all parts and compare with the part list below.

Step	Code	Hardware	Q'TY	Step	Code	Parts List	Q'TY
1	A		1Set	1	1	Nightstand w/usb 	1Pc

**TOOLS REQUIRED ( NOT PROVIDED )**

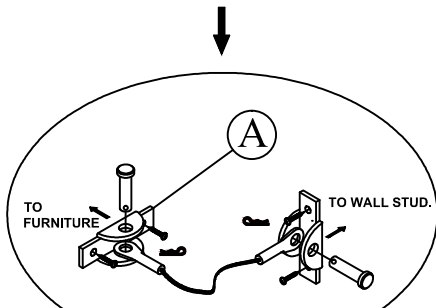
PHILLIPS SCREWDRIVER



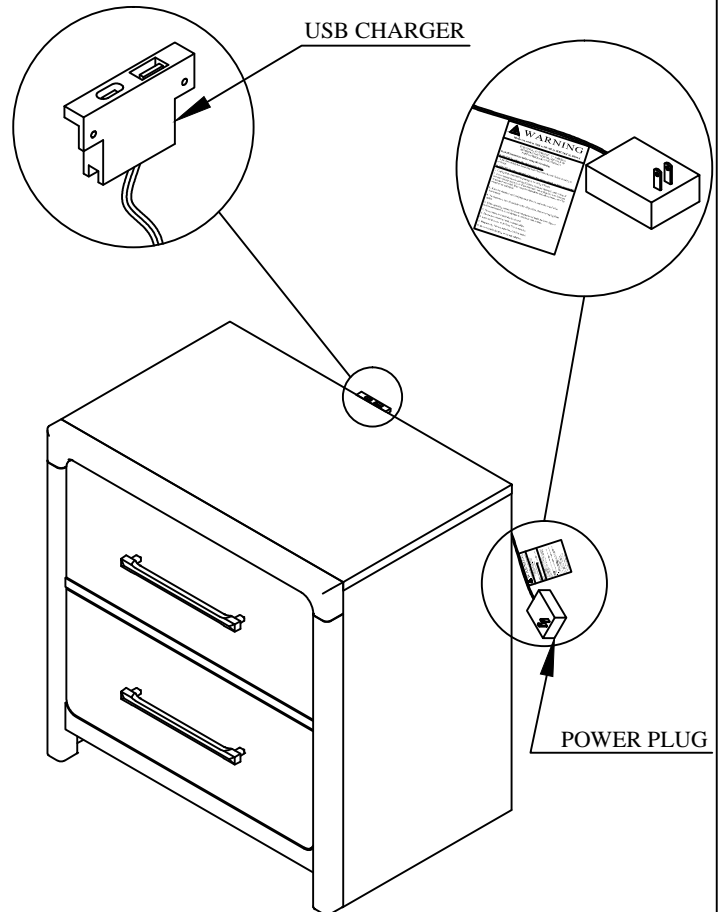
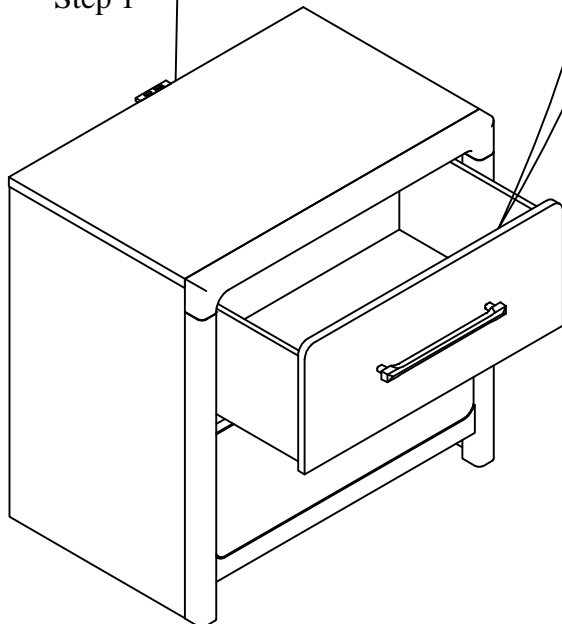
Anti-tip hardware - customer assembly required.

Anti Tipping Hardware inside drawer

★ Remark:there is a tip restraint kit provided on the knob or handle screw on the inside of the top drawer. Please read the directions thoroughly and install Immediately when placed in home



Step 1



Step 1: Please use a screwdriver (not provided in package) to install the tip restraint kit.

**Hardware Pack Location:**

2636-37 NIGHTSTAND W/USB, SKU NO.: 32526367

**CLEANING INSTRUCTION:** Clear with a soft cloth and warm water with a diluted mild detergent. Follow with a soft cloth and clear water rinse . Then dry thoroughly with a soft cloth.

**MADE IN VIETNAM**

ENGLISH VERSION

IMPORTANT SAFETY INSTRUCTIONS



# WARNING

Misuse can result in **FIRE** or **DEATH** by **ELECTRICAL SHOCK**

ELECTRICAL RATING(5DC / 2.1 AMPERES)  
SHENHEN GEAO TECHNOLOGY CO.,LTD  
PART NUMBER (GEO101U-050210U )

**Read all instructions before using this furnishing.**

**DANGER-To reduce the risk electric shock**

1. Always unplug this furnishing from the electrical outlet before cleaning or servicing.

**WARNING-To reduce the risk of burns, fire, electric shock, or injury to persons:**

1. Unplug from outlet before putting on or taking off parts.
2. Never operate this furnishing if it has a damaged electrical cord or plug, if it is not working properly, or if the electrical cord or plug has been damaged or dropped into water. Stop using this furnishing and call a service center for examination and repair.
3. Keep the electrical cord and plug away from heated surfaces and other heat sources.
4. To disconnect, turn all controls to the off position, then remove plug from outlet.
5. When operating, ensure that electrical cord is not under the base, legs, or motion mechanism to avoid damage to electrical cord or plug.
6. Do not strain or stretch electrical cord.
7. Do not use extension cords or power strips.
8. Keep out of reach of children. This is not a toy.
9. Plug directly into a compatible electrical socket.
10. Do not modify the plug or use any adapters.

SPANISH VERSION

INSTRUCCIONES DE SEGURIDAD IMPORTANTES



# WARNING

El mal uso puede **INCENDIO** o **MUERTE** por **DESCARGA ELÉCTRICA**

CLASIFICACION ELECTTRICA(5DC / 2.1 AMPERES)  
SHENHEN GEAO TECHNOLOGY CO.,LTD  
PART NUMBER (GEO101U-050210U )

**Leer todas las instrucciones antes de usar este mobiliario.**

**PELIGRO-Para reducir el riesgo de descarga electrica:**

1. Siempre desenchufe este accesorio de la toma de corriente eléctrica antes de limpiarlo o repararlo.

**ADVERTENCIA: para reducir el riesgo de quemaduras, incendios, descargas eléctricas o lesiones a personas:**

1. Desenchufe del tomacorriente antes de colocar o quitar partes.
2. Nunca opere este accesorio si tiene un cable o enchufe eléctrico dañado, si no funciona correctamente, o si el cable o el enchufe eléctrico se ha dañado o se ha caído al agua. Deje de usar este equipamiento y llame a un centro de servicio para que lo examinen y lo reparen.
3. Mantenga el cable eléctrico y el enchufe lejos de superficies calientes y otras fuentes de calor.
4. Para desconectar, gire todos los controles a la posición de apagado, luego retire el enchufe del tomacorriente.
5. Al operar, asegúrese de que el cable eléctrico no esté debajo de la base, las patas o el mecanismo de movimiento para evitar dañar al cable eléctrico o al enchufe.
6. No fuerce ni estire el cable eléctrico.
7. No utilizar cables de extensión o tomas de corriente.
8. Mantener fuera del alcance de los niños. Esto no es un juguete.
9. Enchúfelo directamente a una toma de corriente compatible.
10. No modifique el enchufe ni utilice adaptadores.