



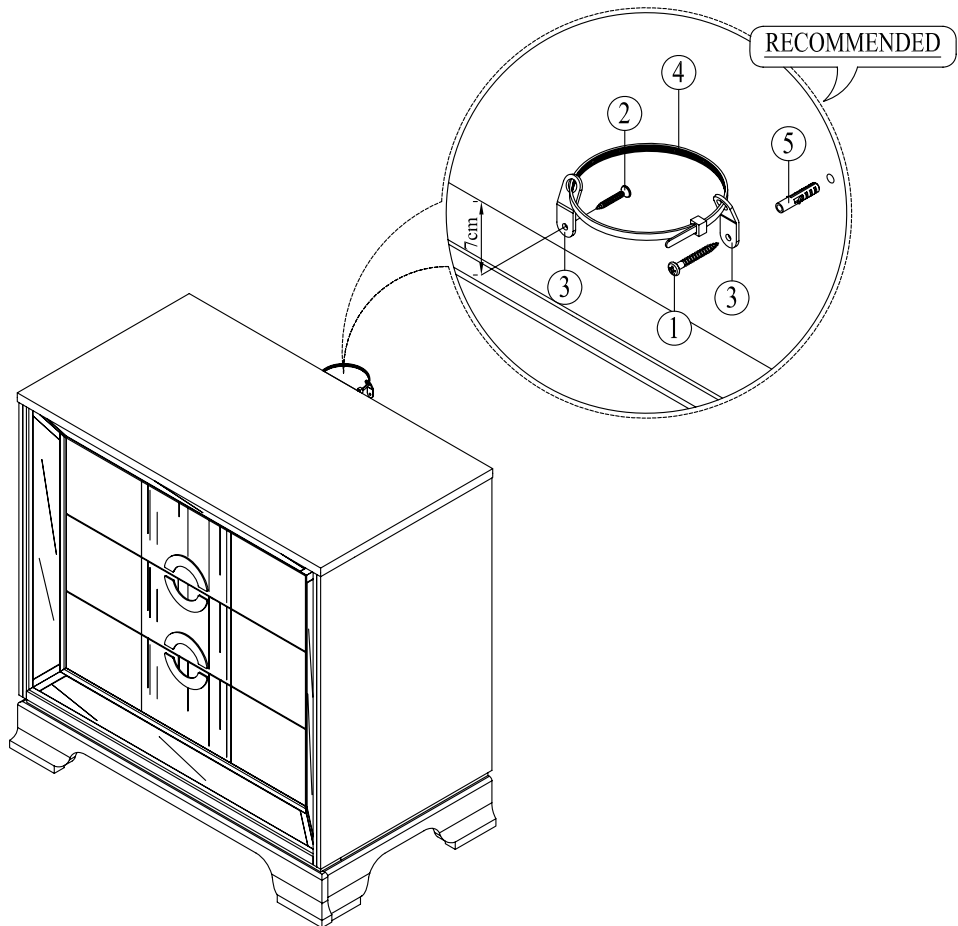
ASSEMBLY INSTRUCTIONS

ALAM PS07-05 : NIGHTSTAND # SKU 32500705

Thank you for purchasing this quality product. Be sure to check all packing material carefully for small parts, which may have come loose inside the carton during shipment. Identify and count all parts and compare with the hardware list below.

Part List	No.	Description	Qty
	A	Nightstand	1 Pc

Hardware List	No.	Picture	Description	Dimension	Qty
	1		Screw	Ø8 x 50 mm	1 Pc
	2		Screw	Ø8 x 16 mm	1 Pc
	3		Metal Anchors	1.2 x 15 x 15 mm	2 Pcs
	4		Restrain Strap	5 x 7 x 250 mm	1 Pc
5		Fisher	Ø6 x 40 mm	1 Pc	





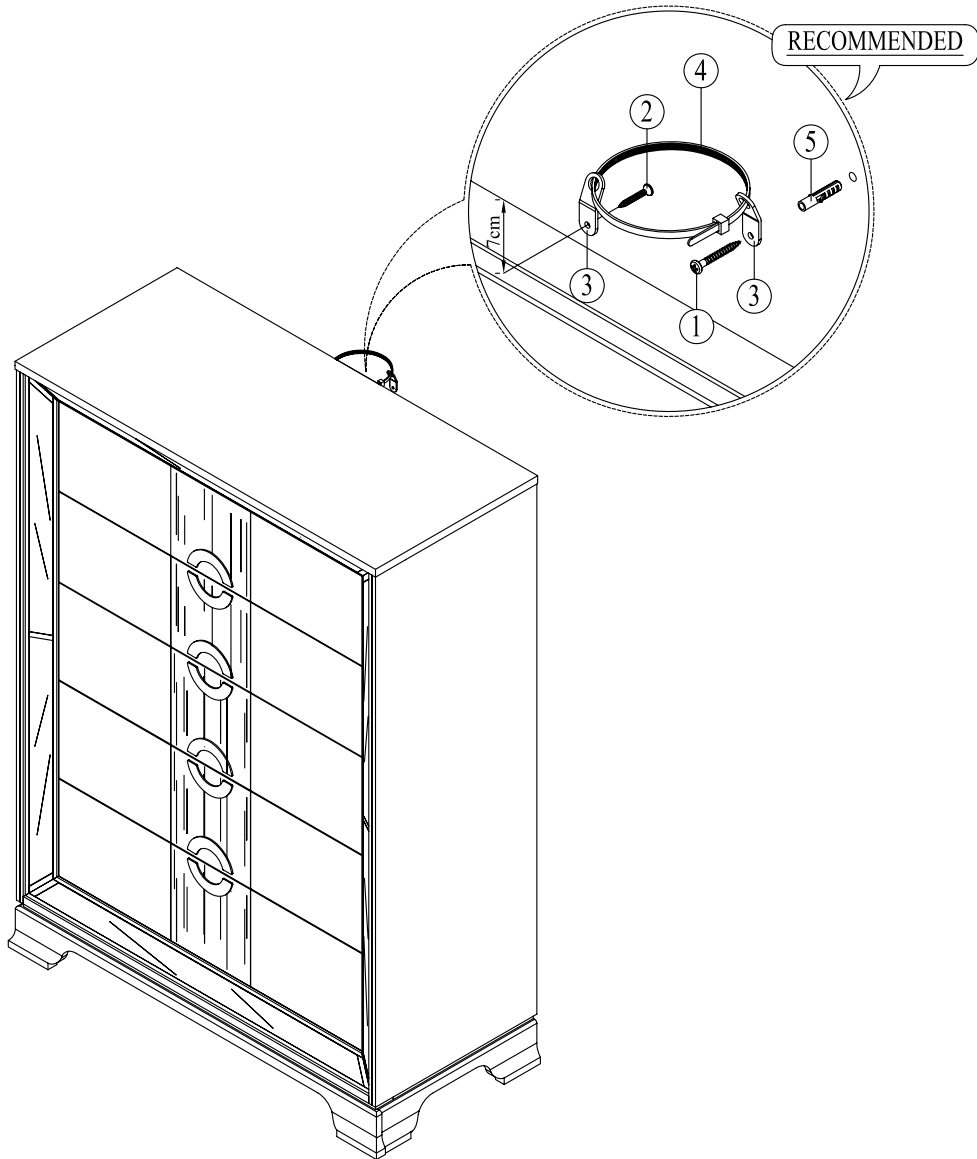
ASSEMBLY INSTRUCTIONS

ALAM PS07-04 : CHEST # SKU 32600707

Thank you for purchasing this quality product. Be sure to check all packing material carefully for small parts, which may have come loose inside the carton during shipment. Identify and count all parts and compare with the hardware list below.






Part List	No.	Description	Qty
	A	Chest	1 Pc

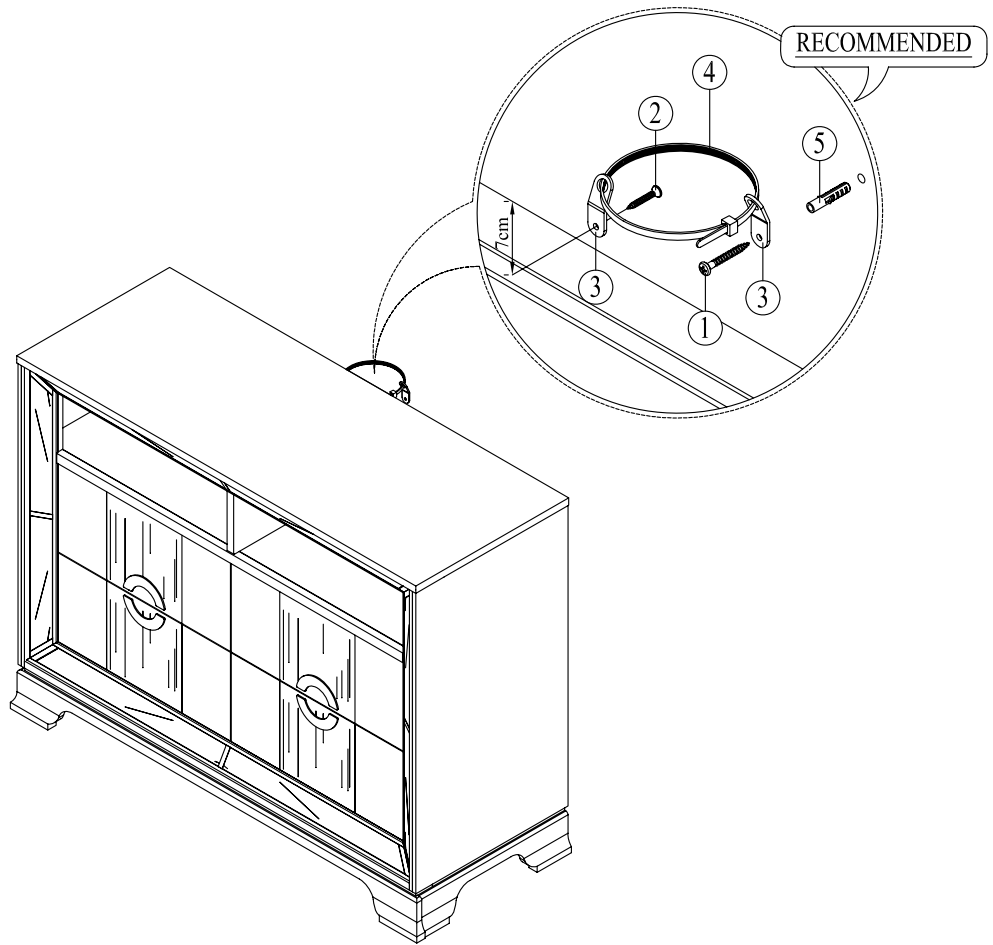
Hardware List	No.	Picture	Description	Dimension	Qty
	1		Screw	Ø8 x 50 mm	1 Pc
	2		Screw	Ø8 x 16 mm	1 Pc
	3		Metal Anchors	1.2 x 15 x 15 mm	2 Pcs
	4		Restrain Strap	5 x 7 x 250 mm	1 Pc
5		Fisher	Ø6 x 40 mm	1 Pc	



Thank you for purchasing this quality product. Be sure to check all packing material carefully for small parts, which may have come loose inside the carton during shipment. Identify and count all parts and compare with the hardware list below.






Part List	No.	Description	Qty
	A	Media Chest	1 Pc

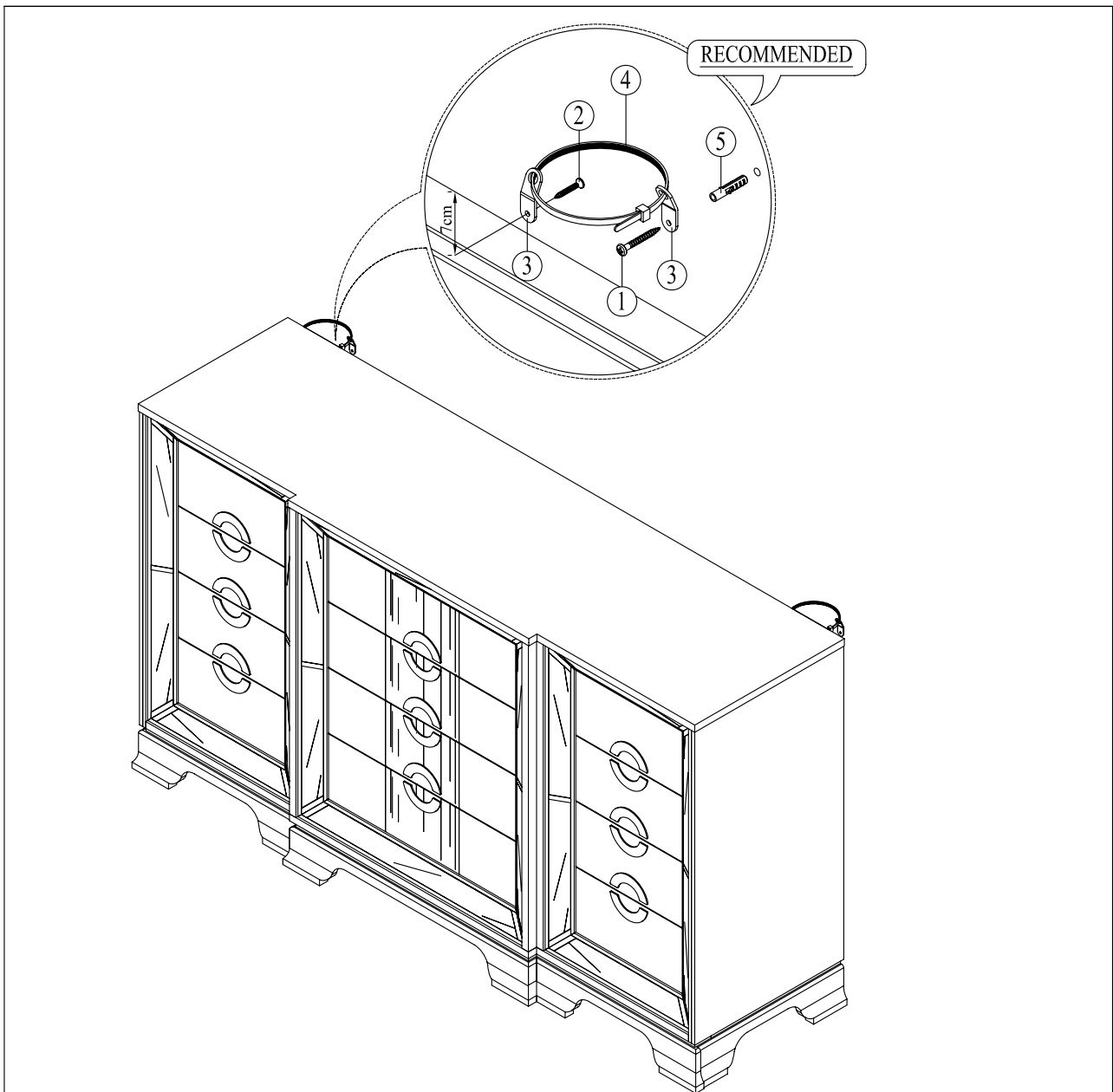
Hardware List	No.	Picture	Description	Dimension	Qty
	1		Screw	Ø8 x 50 mm	1 Pc
	2		Screw	Ø8 x 16 mm	1 Pc
	3		Metal Anchors	1.2 x 15 x 15 mm	2 Pcs
	4		Restrain Strap	5 x 7 x 250 mm	1 Pc
5		Fisher	Ø6 x 40 mm	1 Pc	



Thank you for purchasing this quality product. Be sure to check all packing material carefully for small parts, which may have come loose inside the carton during shipment. Identify and count all parts and compare with the hardware list below.

Part List	No.	Description	Qty
	A	Dresser	1 Pc

Hardware List	No.	Picture	Description	Dimension	Qty
	1		Screws	Ø8 x 50 mm	2 Pcs
	2		Screws	Ø8 x 16 mm	2 Pcs
	3		Metal Anchors	1.2 x 15 x 15 mm	4 Pcs
	4		Restrain Straps	5 x 7 x 250 mm	2 Pcs
5		Fishers	Ø6 x 40 mm	2 Pcs	







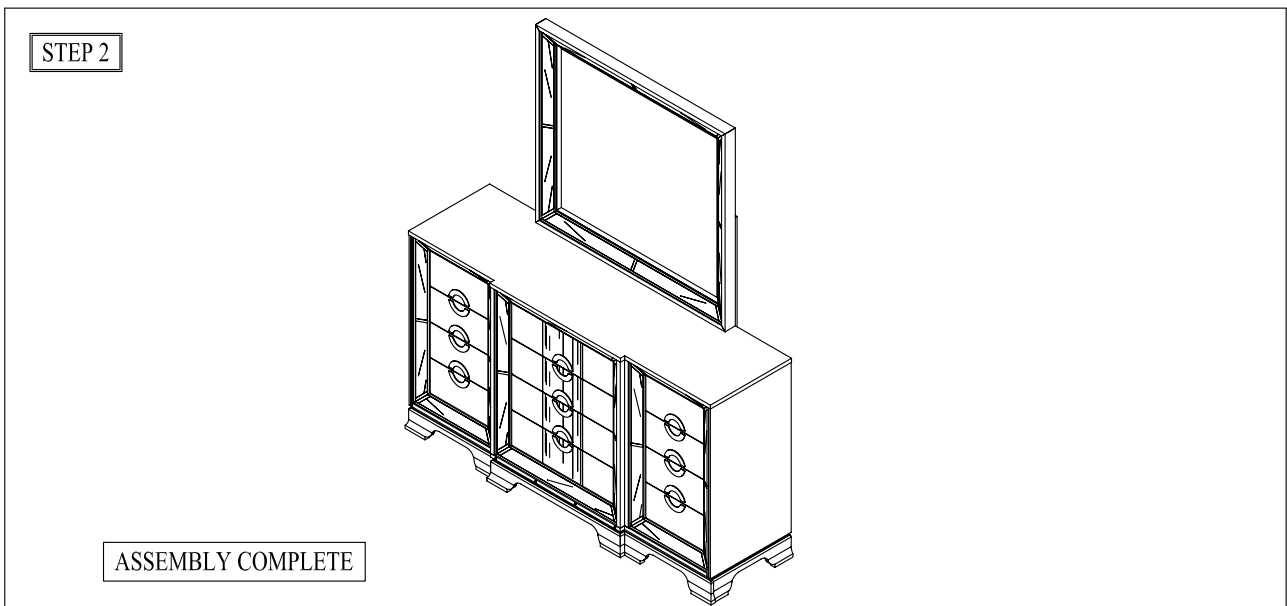
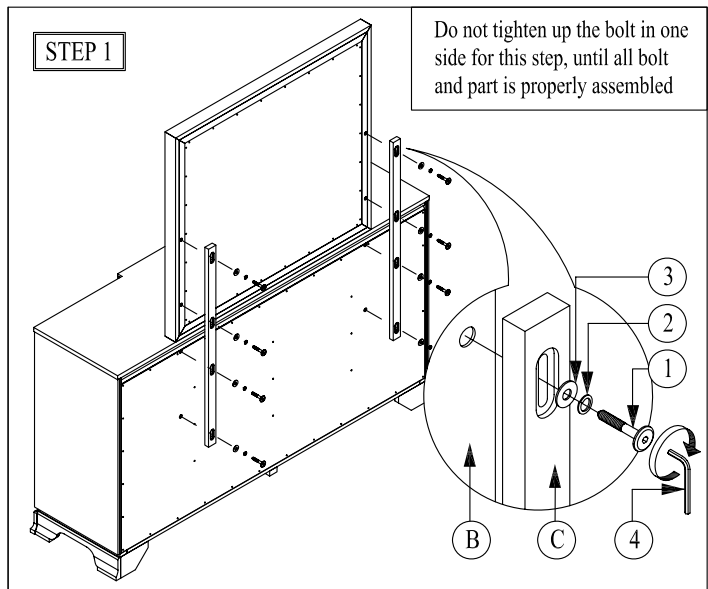
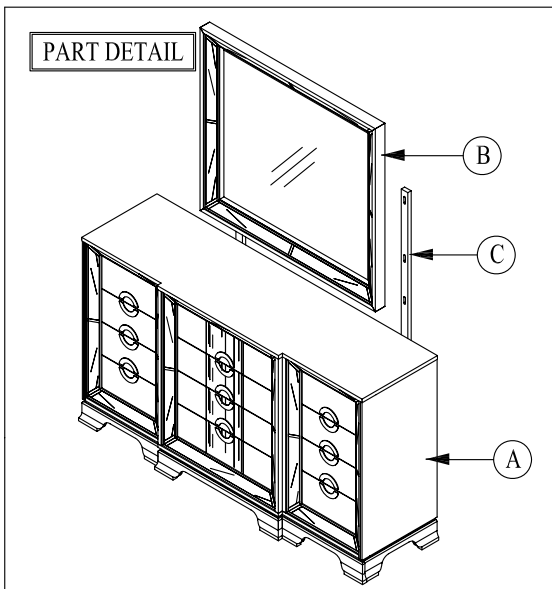
ASSEMBLY INSTRUCTIONS

ALAM PS07-03 : DRESSER # SKU 32100707
 ALAM PS07-02 : MIRROR # SKU 32200709

Thank you for purchasing this quality product. Be sure to check all packing material carefully for small parts, which may have come loose inside the carton during shipment. Identify and count all parts and compare with the Hardware List below.

Part List	No.	Description	Qty
	A	Dresser	1 Pc
	B	Mirror	1 Pc
	C	Mirror Supports	2 Pcs

Hardware List	No.	Picture	Description	Dimension	Qty
	1		Bolts	M6 x 35 mm	8 Pcs
	2		Lock Washers	Ø14 / Ø7 x 1.6 mm	8 Pcs
	3		Flat Washers	Ø18 / Ø6 x 1 mm	8 Pcs
	4		Allen Key	4 x 60 mm	1 Pc





ASSEMBLY INSTRUCTIONS

ALAM PS07-07 : QN HDBD # SKU 32300701
 ALAM PS07-09 : QN FB WSLT # SKU 32700709
 ALAM PS07-10 : QK WD RLS # SKU 32900703

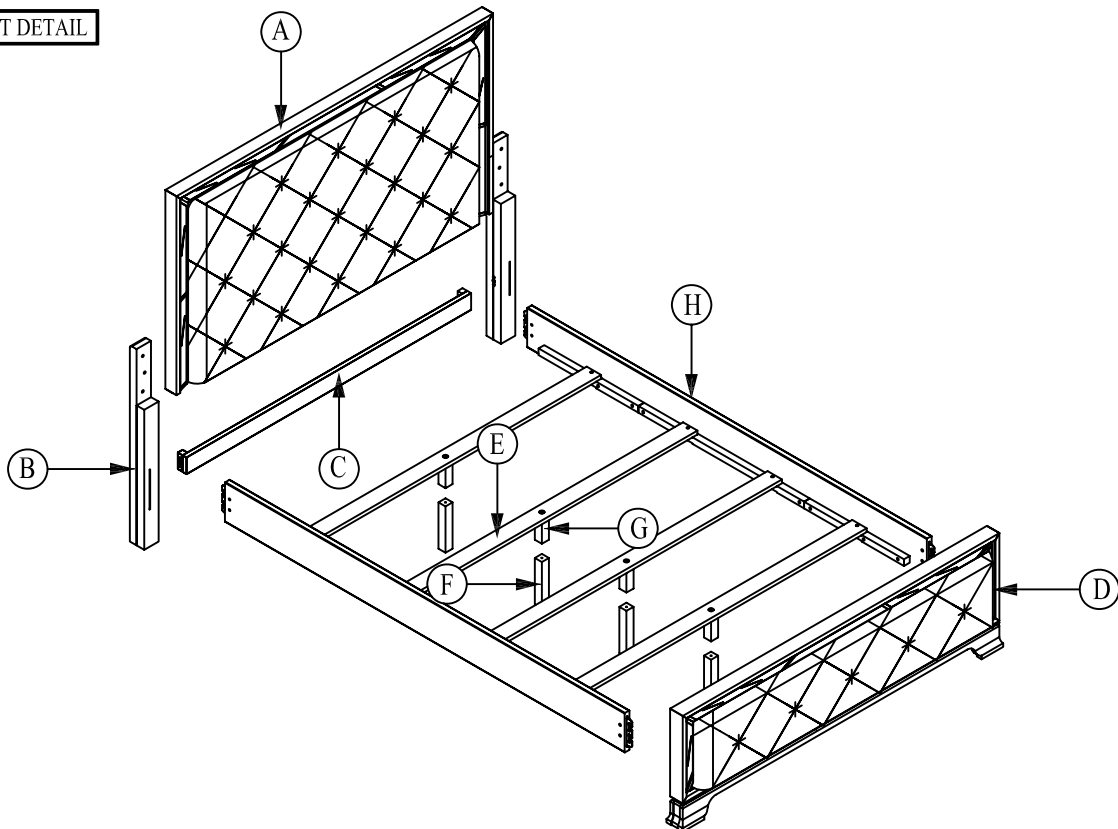
Thank you for purchasing this quality product. Be sure to check all packing material carefully for small parts, which may have come loose inside the carton during shipment. Identify and count all parts and compare with the Hardware List below.

	No.	Description	Qty
Headboard	A	Headboard	1 Pc
	B	Legs (L - R)	2 Pcs
	C	Stretcher	1 Pc
Footboard	D	Footboard	1 Pc
	E	Slats	4 Pcs
	F	Regular Leg Supports	4 Pcs
	G	Storage Leg Supports	4 Pcs

Siderail	H	Siderails	2 Pcs
-----------------	---	-----------	-------

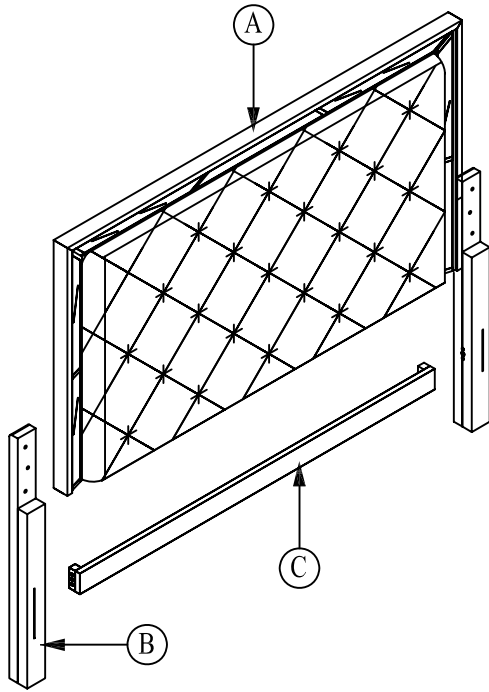
	No.	Picture	Description	Dimension	Qty
Hardware List	1		Screws	Ø8 x 32 mm	8 Pcs
	2		Bolts	M6 x 1 x 45 mm	8 Pcs
	3		Lock Washers	Ø6 x Ø14 mm	8 Pcs
	4		Flat Washers	Ø6 x Ø18 mm	8 Pcs
	5		Allen Key	4 x 60 mm	1 Pc
	6		Dowels	Ø10 x 40 mm	4 Pcs
	7		Phillip Headscrew Driver (not included)		

PART DETAIL

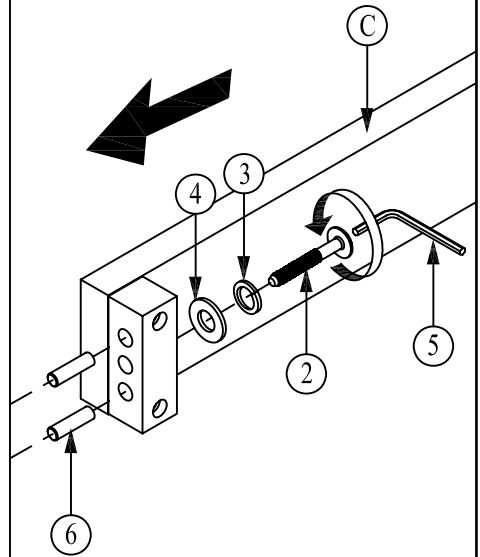


ASSEMBLY STEP

PART DETAIL

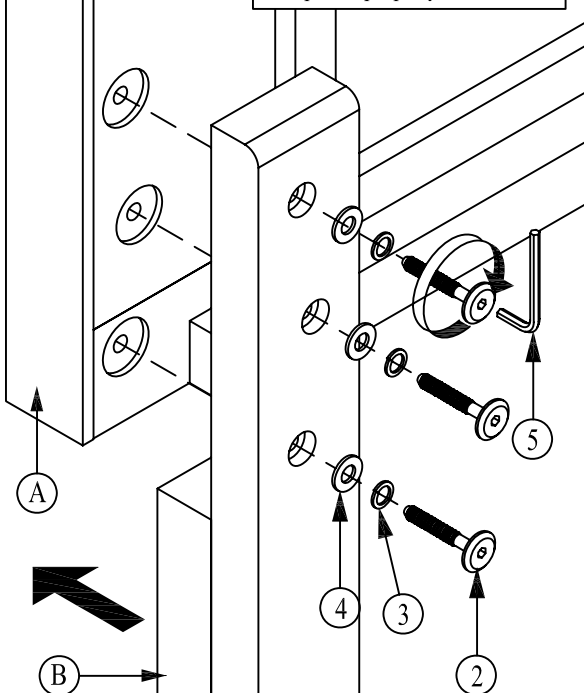


STEP 1

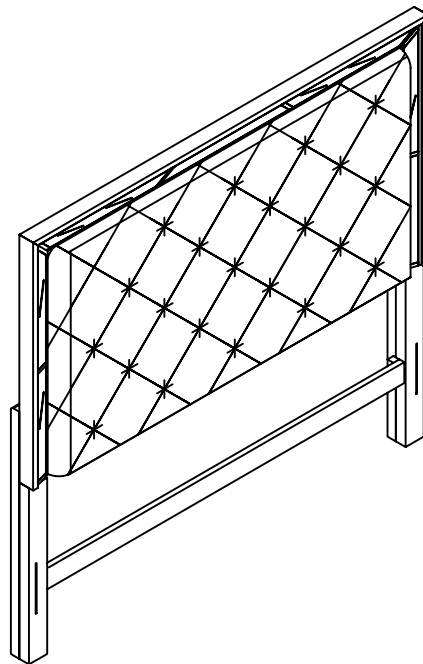


STEP 2

WARNING :
Do not tighten up the bolt in one side for this step, until all bolt and part is properly assembled

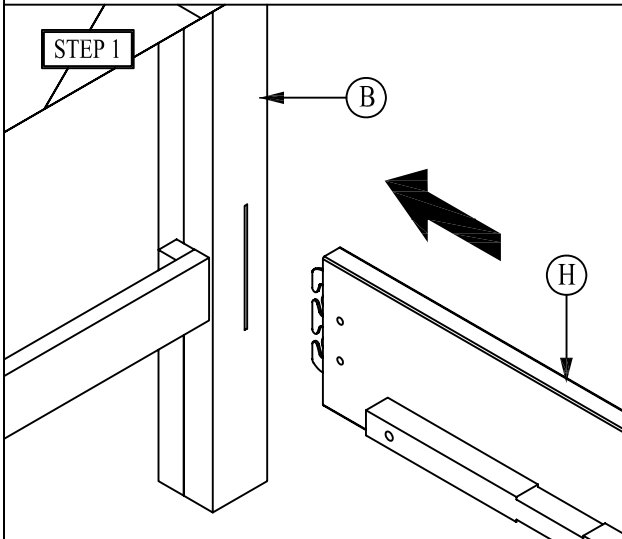


STEP 3

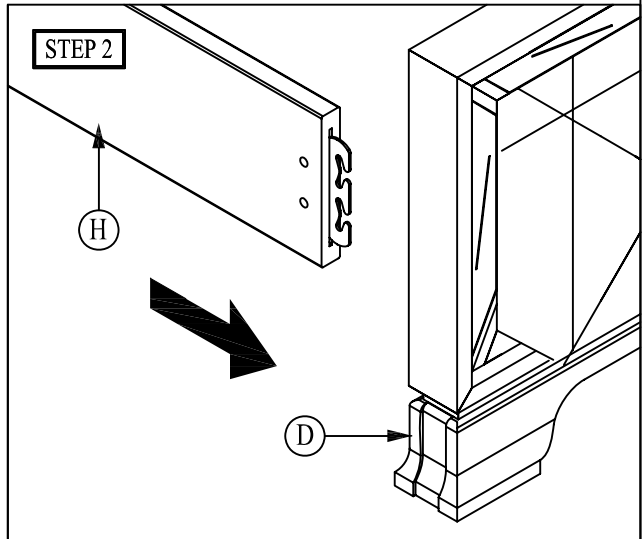


ASSEMBLY COMPLETE

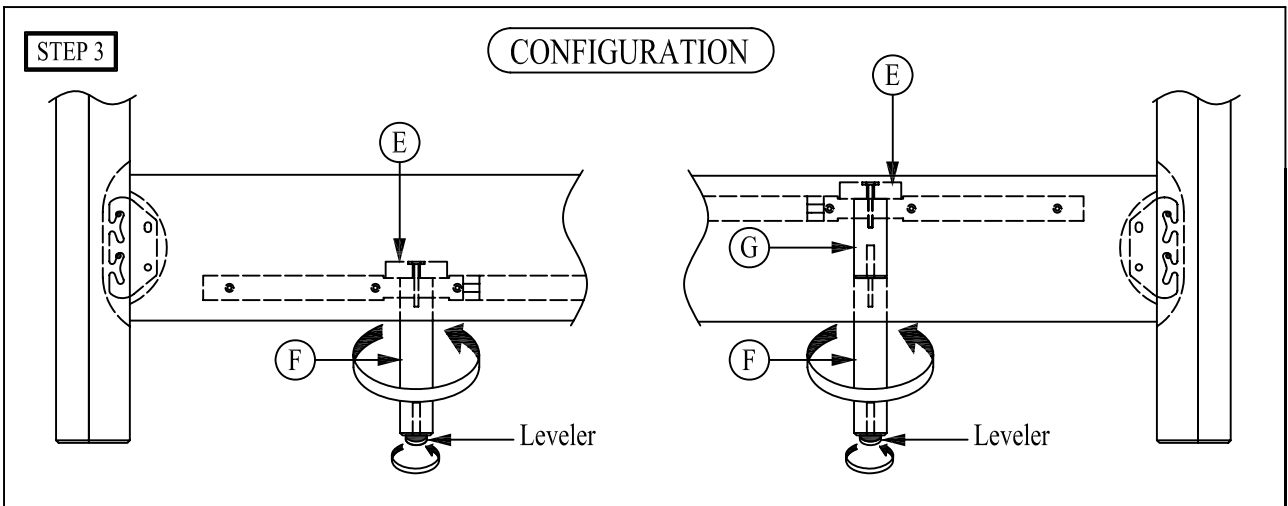
ASSEMBLY STEP



Attach Regular Siderail (H) to Leg (B)

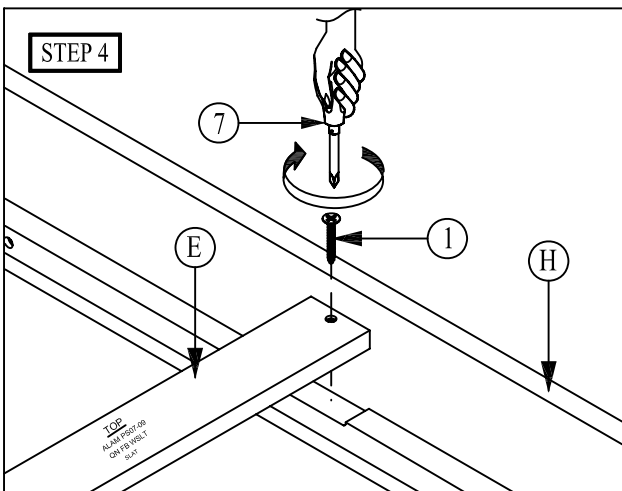


Attach Regular Siderail (H) to Footboard (D)

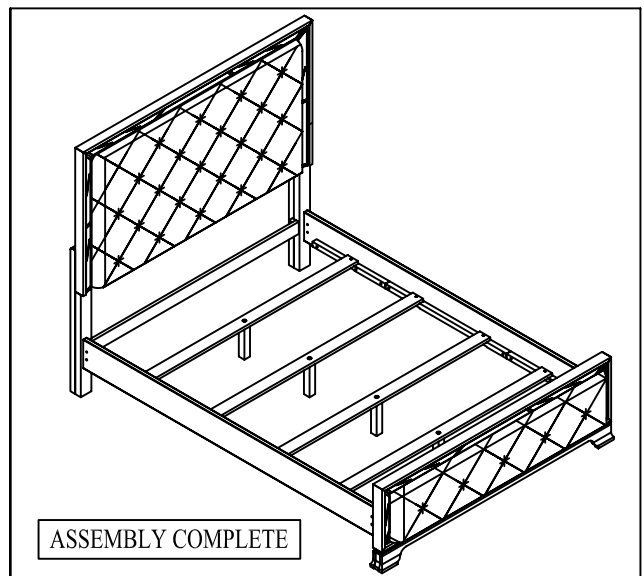


Attach the Hook on Regular Siderail with cleat on low position
Under the cleat in the up configuration diagram

Tighten Leg Support (F) to Slat (E)



Attach Slats (E) to Siderail (H) using screw (1) with
screw driver (7) follow pre-drill on the slats.



ASSEMBLY COMPLETE



ASSEMBLY INSTRUCTIONS

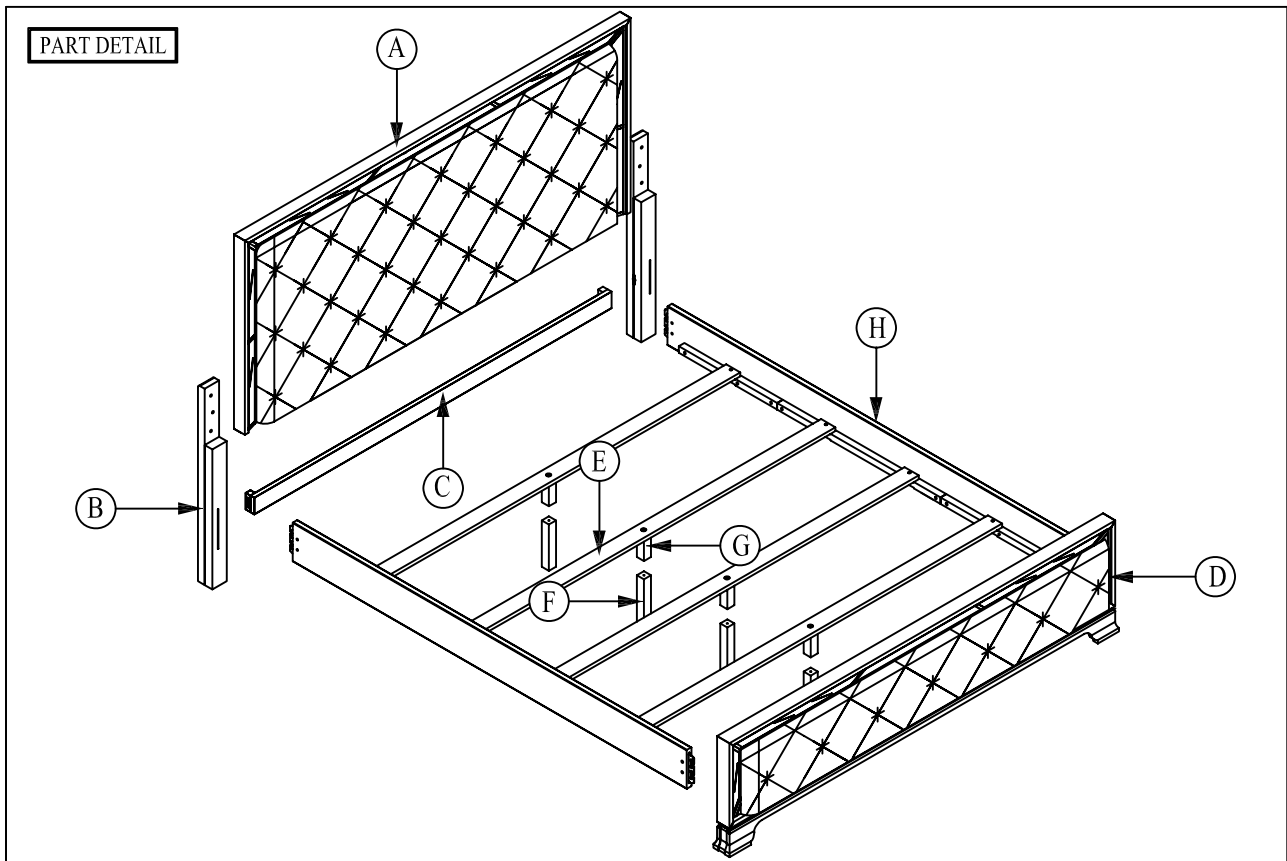
ALAM PS07-11 : KG HDBD # SKU 32400703
 ALAM PS07-13 : KG FB WSLT # SKU 32800701
 ALAM PS07-10 : QK WD RLS # SKU 32900703

Thank you for purchasing this quality product. Be sure to check all packing material carefully for small parts, which may have come loose inside the carton during shipment. Identify and count all parts and compare with the Hardware List below.

	No.	Description	Qty
Headboard	A	Headboard	1 Pc
	B	Legs (L - R)	2 Pcs
	C	Stretcher	1 Pc
Footboard	D	Footboard	1 Pc
	E	Slats	4 Pcs
	F	Regular Leg Supports	4 Pcs
	G	Storage Leg Supports	4 Pcs

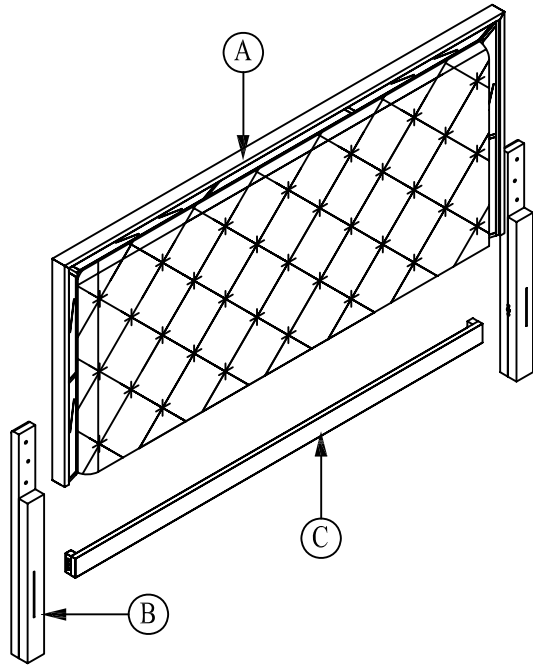
Siderail	H	Siderails	2 Pcs
-----------------	---	-----------	-------

	No.	Picture	Description	Dimension	Qty
Hardware List	1		Screws	Ø8 x 32 mm	8 Pcs
	2		Bolts	M6 x 1 x 45 mm	8 Pcs
	3		Lock Washers	Ø6 x Ø14 mm	8 Pcs
	4		Flat Washers	Ø6 x Ø18 mm	8 Pcs
	5		Allen Key	4 x 60 mm	1 Pc
	6		Dowels	Ø10 x 40 mm	4 Pcs
	7		Phillip Headscrew Driver (not included)		

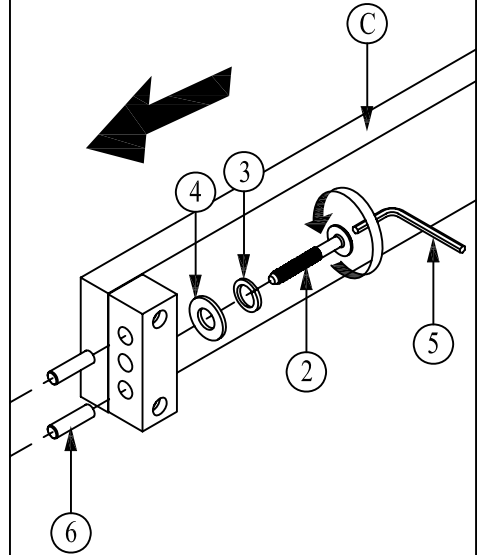


ASSEMBLY STEP

PART DETAIL

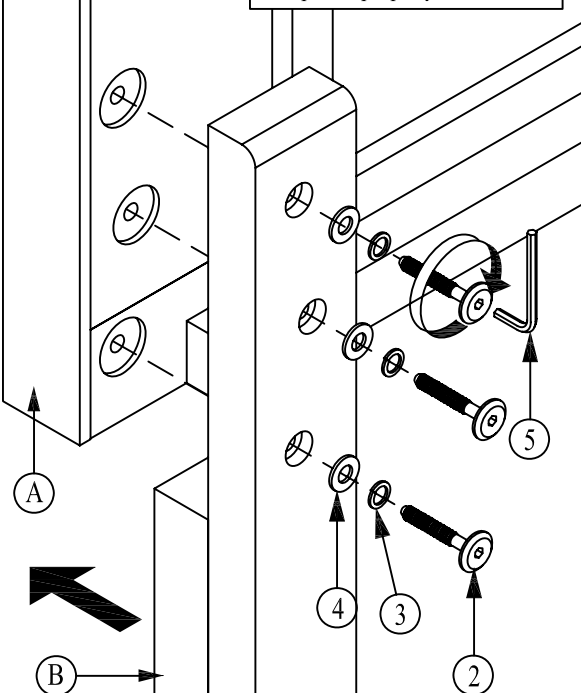


STEP 1

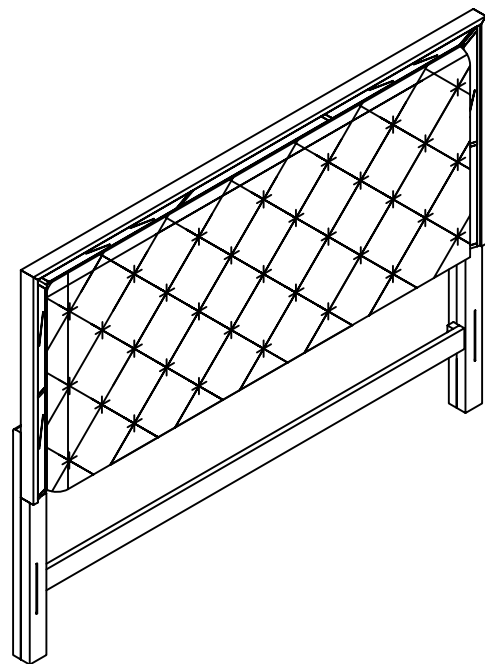


STEP 2

WARNING :
Do not tighten up the bolt in one side for this step, until all bolt and part is properly assembled

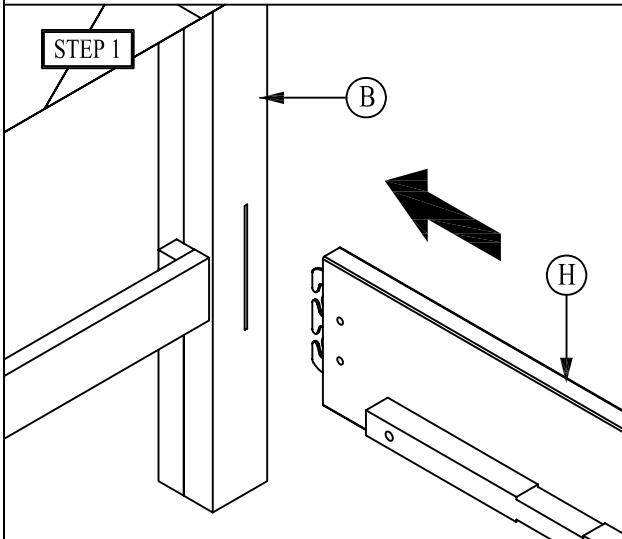


STEP 3

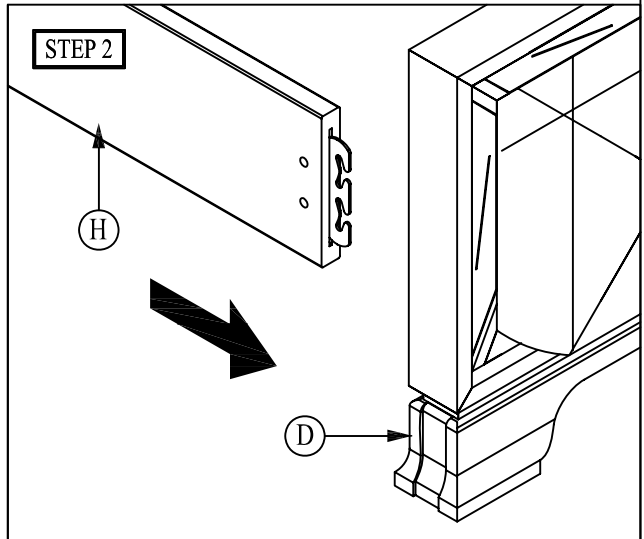


ASSEMBLY COMPLETE

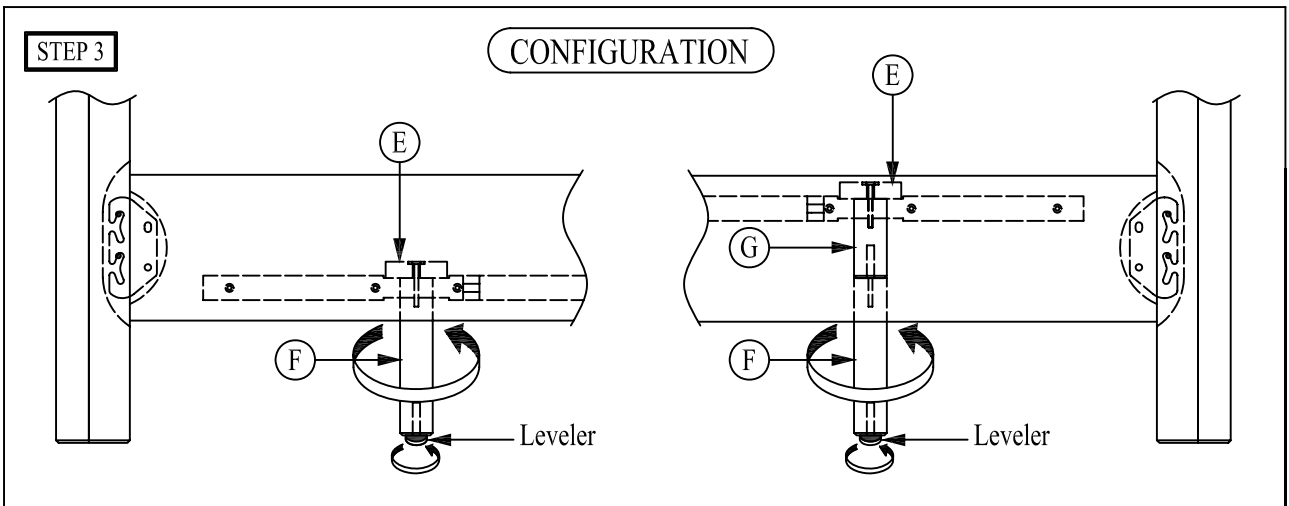
ASSEMBLY STEP



Attach Regular Siderail (H) to Leg (B)

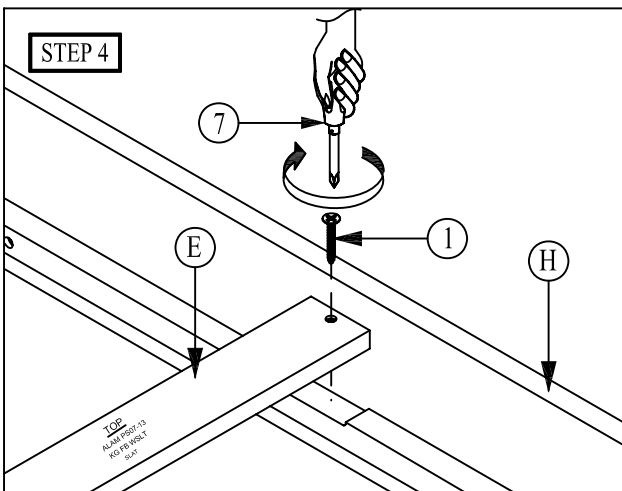


Attach Regular Siderail (H) to Footboard (D)



Attach the Hook on Regular Siderail with cleat on low position
Under the cleat in the up configuration diagram

Tighten Leg Support (F) to Slat (E)



Attach Slats (E) to Siderail (H) using screw (1) with screw driver (7) follow pre-drill on the slats.

