






# Assembly Instruction

STOF 2681/2682-410 NIGHTSTAND

SKU NO.: 32526812/32526824

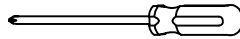
Thank you for purchasing this quality product. Be sure to check all packing material carefully for small parts, which may have come loose inside the carton during shipment. Identify and count all parts and compare with the part list below.

Step	Code	Hardware	Q'TY
1	A	 Tipping Restraint	1Set

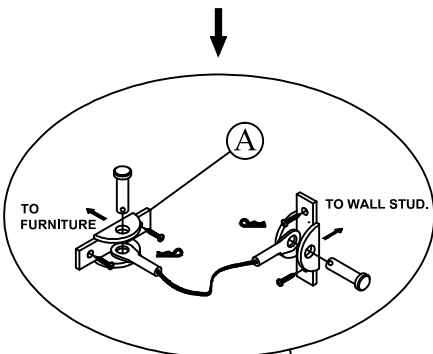
Step	Code	Parts List	Q'TY
1	1	Nightstand 	1Pc
2	2	Glass 	1Pc

TOOLS REQUIRED ( NOT PROVIDED )

PHILLIPS SCREWDRIVER

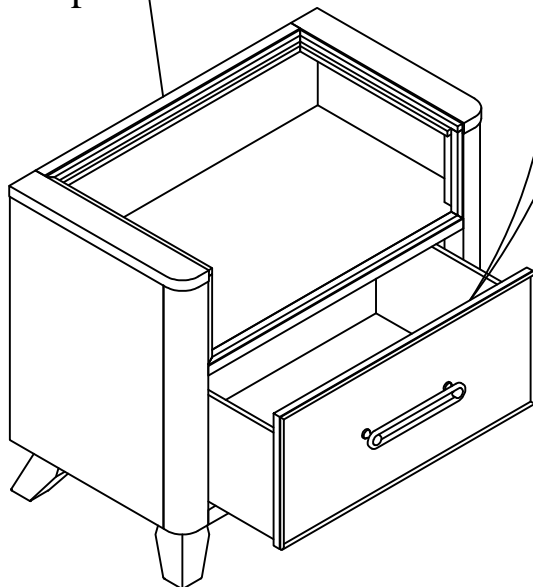


Anti Tipping Hardware inside drawer

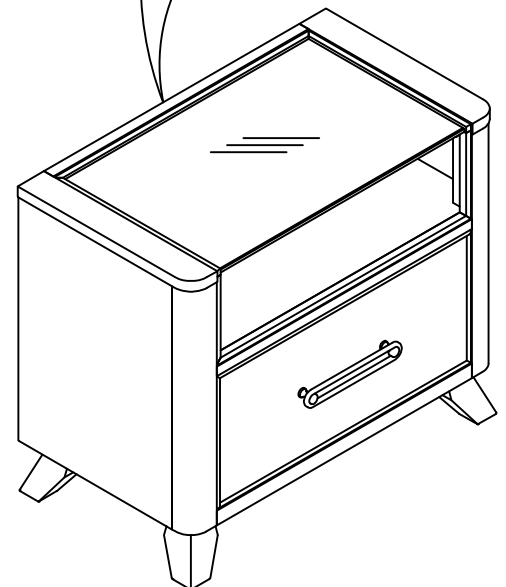
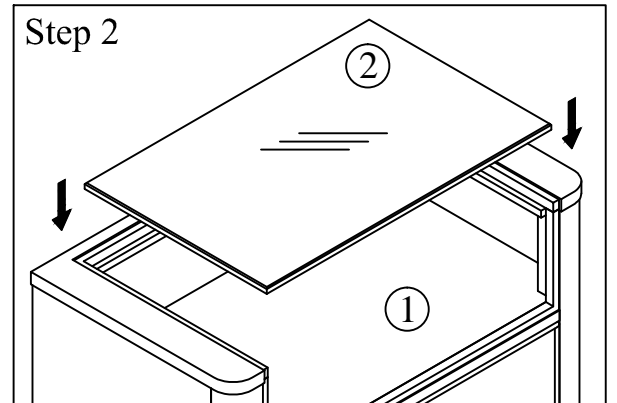


Step 1

★ Remark: there is a tip restraint kit provided on the knob or handle screw on the inside of the top drawer. Please read the directions thoroughly and install immediately when placed in home



Step 2



Step 1: Please use a screwdriver (not provided in package) to install the tip restraint kit.

Step 2: Put the glass on the top of nightstand carefully

Hardware Pack Location:

NIGHTSTAND, SKU NO.: 32526812/32526824

CLEANING INSTRUCTION: Clear with a soft cloth and warm water with a diluted mild detergent. Follow with a soft cloth and clear water rinse . Then dry thoroughly with a soft cloth.

MADE IN VIETNAM