





# ASSEMBLY INSTRUCTIONS

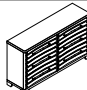


AUGR RTG2836-01 MIRROR  
 AUGR RTG2836-10 DRESSER

SKU: 32228365  
 SKU: 32128363

**Caution:** Please read instructions thoroughly before unpacking assembly parts.

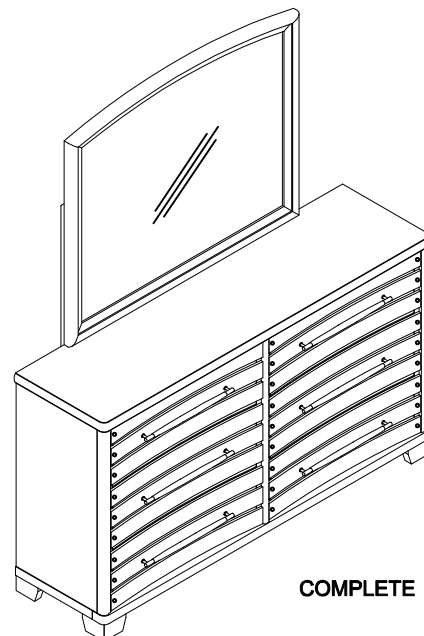
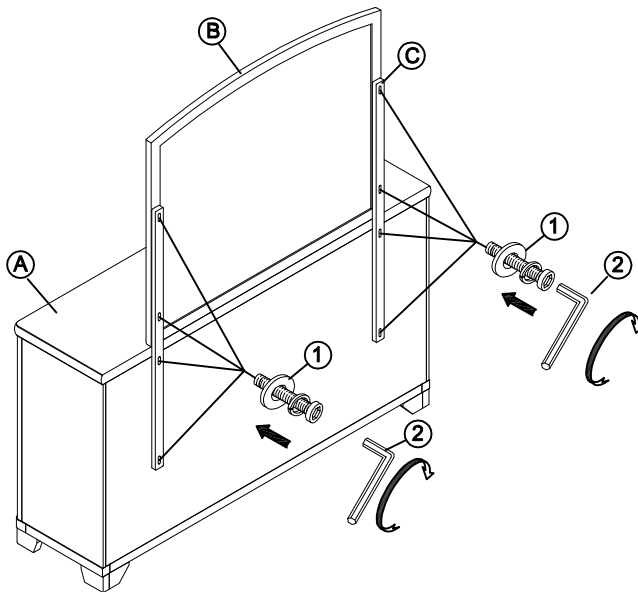
1. We recommend that you assemble this product with the assistance of another person. This will make assembly easier and help to eliminate damage to the product or injury to persons during assembly.
2. Be sure to check all packing materials carefully for small parts that may have come loose inside the carton during shipment.
3. Please put all parts on a non-abrasive surface and follow the assembly steps to assemble your newly purchased product correctly and efficiently.

No	Hardware List		Qty
①	Allen Bolt	Ø1/4"-20 x 1-1/2"L	 8pcs
	Spring Washer	1/4" x 2mm	
	Flat Washer	1/4" x 2mm	
②	Allen Wrench	L59 x 4mm	 1Pc

No	Description	Sketch	Qty
Ⓐ	Dresser		1pc
Ⓑ	Mirror		1pc
Ⓒ	Mirror Support		2pcs

## STEP 1

Attach Mirror Support (C) to back of Dresser (A) and Mirror (B) using (Allen Bolt, Spring Washer, Flat Washer) (1). Tighten with Allen Wrench (2).



Hardware Pack Location(s):

AUGR RTG2836-01 MIRROR

SKU: 32228365





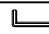
# ASSEMBLY INSTRUCTIONS


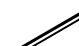

AUGR RTG2836-60H QUEEN PANEL HEADBOARD  
 AUGR RTG2836-65H KING PANEL HEADBOARD

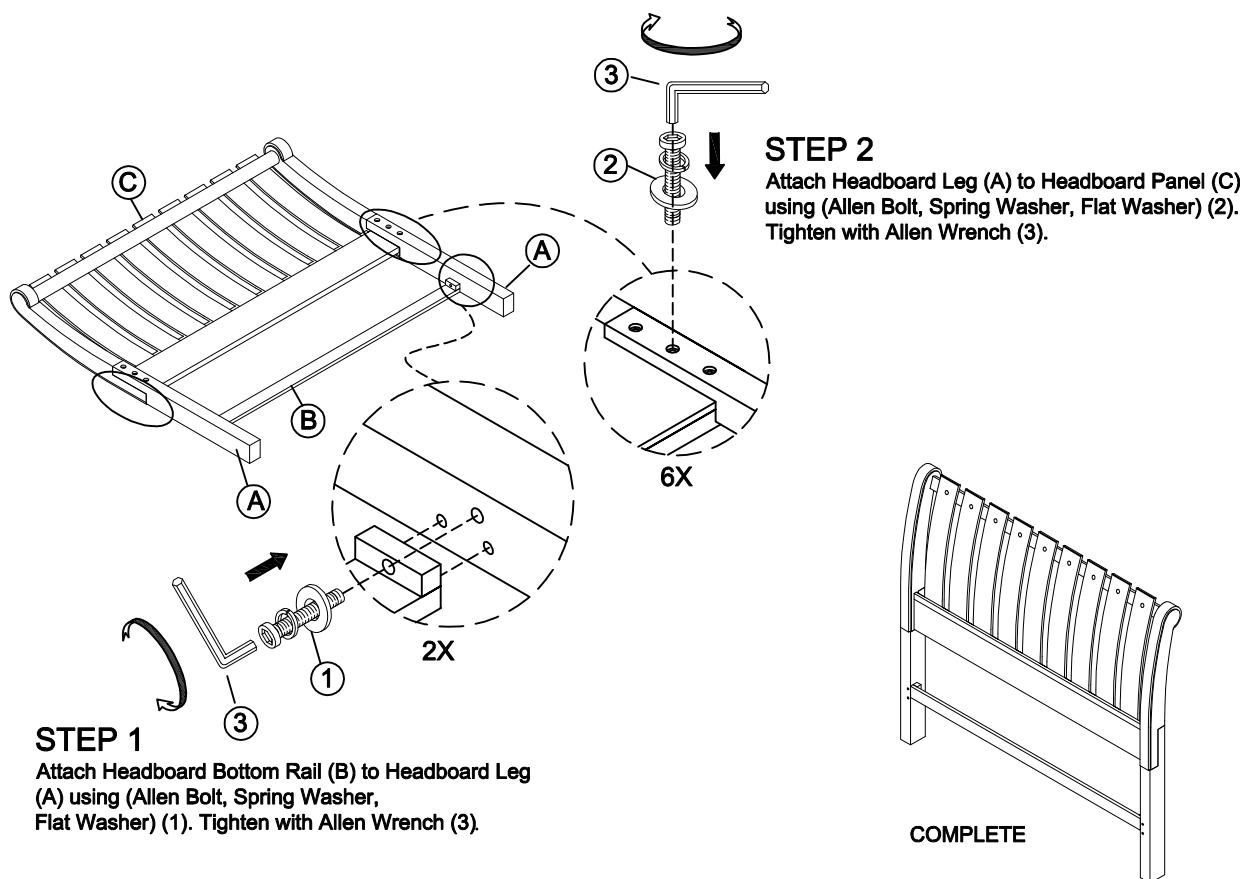
SKU: 32328367  
 SKU: 32428369

**Caution:** Please read instructions thoroughly before unpacking assembly parts.

1. We recommend that you assemble this product with the assistance of another person. This will make assembly easier and help to eliminate damage to the product or injury to persons during assembly.
2. Be sure to check all packing materials carefully for small parts that may have come loose inside the carton during shipment.
3. Please put all parts on a non-abrasive surface and follow the assembly steps to assemble your newly purchased product correctly and efficiently.

No	Hardware List		Qty
①	Allen Bolt	Ø5/16"-18 x 2"L	 2pcs
	Spring Washer	5/16" x 2mm	
	Flat Washer	5/16" x 2mm	
②	Allen Bolt	Ø5/16"-18 x 2"L	 6pcs
	Spring Washer	5/16" x 2mm	
	Flat Washer	5/16" x 2mm	
③	Allen Wrench	L59 x 4mm	 1pc

No	Description	Sketch	Qty
Ⓐ	Headboard Leg (L&R)		2pcs
Ⓑ	Headboard Bottom Rail		1pc
Ⓒ	Headboard Panel		1pc



Hardware Pack Location(s):  
 AUGR RTG2836-60H QUEEN PANEL HEADBOARD  
 AUGR RTG2836-65H KING PANEL HEADBOARD

SKU: 32328367  
 SKU: 32428369



# ASSEMBLY INSTRUCTIONS

AUGR RTG2836-65H KING PANEL HEADBOARD  
 AUGR RTG2836-65F KING PANEL FOOTBOARD  
 AUGR RTG2836-60R QUEEN / KING SIDE RAILS

SKU: 32428369  
 SKU: 32828367  
 SKU: 32928369

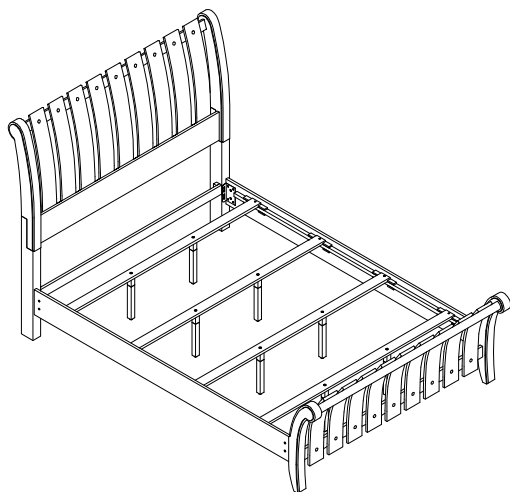
**Caution:** Please read instructions thoroughly before unpacking assembly parts.

1. We recommend that you assemble this product with the assistance of another person. This will make assembly easier and help to eliminate damage to the product or injury to persons during assembly.
2. Be sure to check all packing materials carefully for small parts that may have come loose inside the carton during shipment.
3. Please put all parts on a non-abrasive surface and follow the assembly steps to assemble your newly purchased product correctly and efficiently.

No	Hardware List			Qty
①	Wood Screw	Ø8 x 32mm		8pcs
③	Allen Wrench (packed in HB package)	L59 x 4mm		1pc

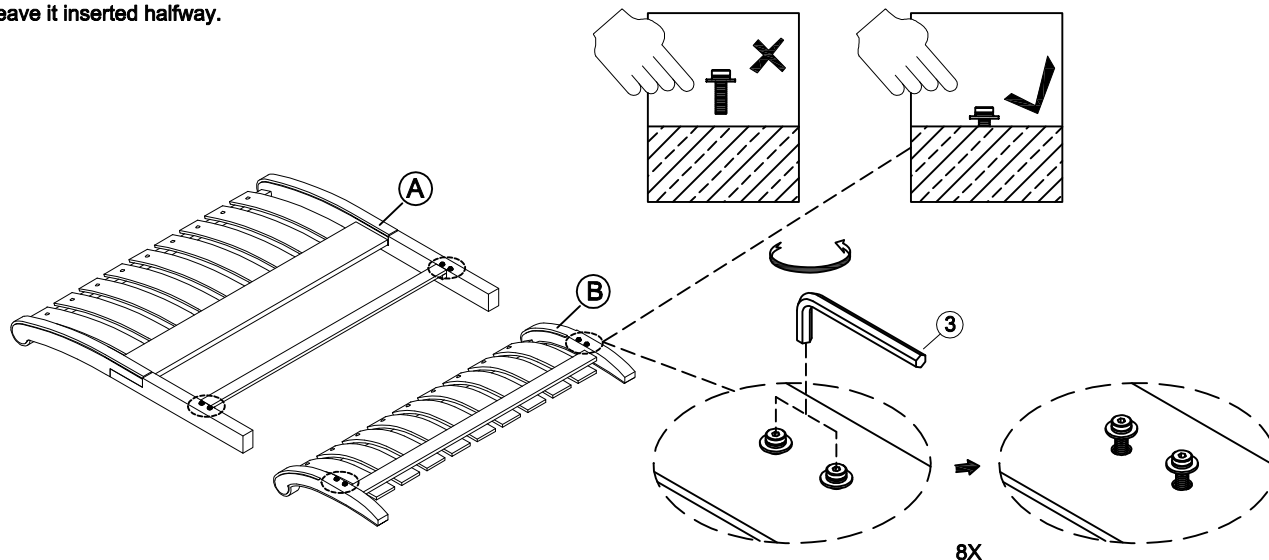
No	Description	Sketch	Qty
(A)	Headboard		1pc
(B)	Footboard		1pc
(C)	Side Rails		2pcs
(D)	Slats		4pcs
(E)	Long Support Leg		8pcs
(F)	Short Support Leg		8pcs

Assembly requires Phillips Head Screwdriver (not included)



## STEP 1

Loosen the Allen Bolt, Spring Washer, Flat Washer in the Headboard Leg (A) and Footboard (B) with Allen Wrench (3). Do not remove the bolt, leave it inserted halfway.



Hardware Pack Location(s):

AUGR RTG2836-65F KING PANEL FOOTBOARD

SKU: 32828367



# ASSEMBLY INSTRUCTIONS

AUGR RTG2836-65H KING PANEL HEADBOARD  
AUGR RTG2836-65F KING PANEL FOOTBOARD  
AUGR RTG2836-60R QUEEN / KING SIDE RAILS

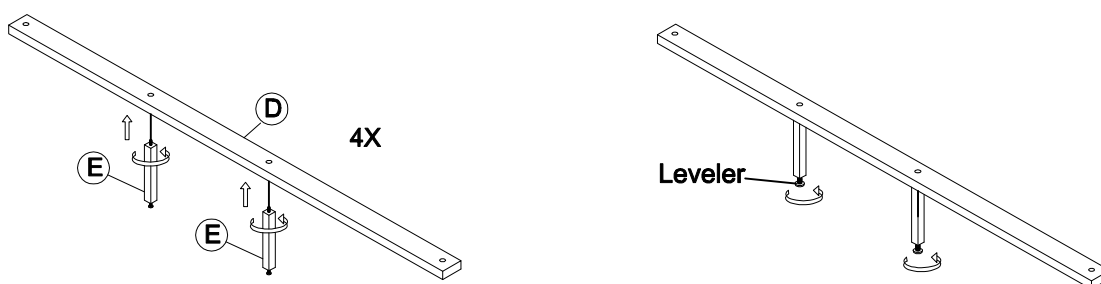
SKU: 32428369  
SKU: 32828367  
SKU: 32928369

**Caution:** Please read instructions thoroughly before unpacking assembly parts.

1. We recommend that you assemble this product with the assistance of another person. This will make assembly easier and help to eliminate damage to the product or injury to persons during assembly.
2. Be sure to check all packing materials carefully for small parts that may have come loose inside the carton during shipment.
3. Please put all parts on a non-abrasive surface and follow the assembly steps to assemble your newly purchased product correctly and efficiently.

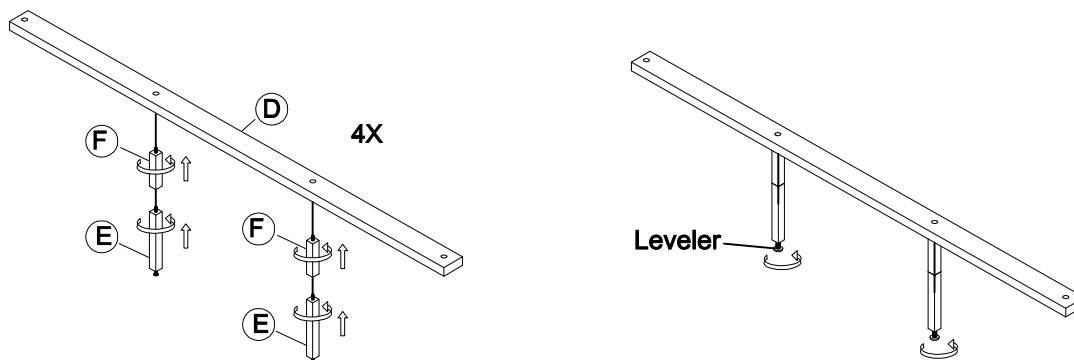
## STEP 2 (Option 1 - Low Position)

Thread Long Support Legs (E) into the insert nut on Slats (D).  
Short Support Leg(F) will not be used in Option 1.



## STEP 2 (Option 2- High Position)

Thread Short Support Legs (F) into the insert nut on Slats (D) and then Thread Long Support Legs (E) into the insert nut on Short Support Legs (F) as show below.



Hardware Pack Location(s):

AUGR RTG2836-65F KING PANEL FOOTBOARD

SKU: 32828367



# ASSEMBLY INSTRUCTIONS

AUGR RTG2836-65H KING PANEL HEADBOARD  
AUGR RTG2836-65F KING PANEL FOOTBOARD  
AUGR RTG2836-60R QUEEN / KING SIDE RAILS

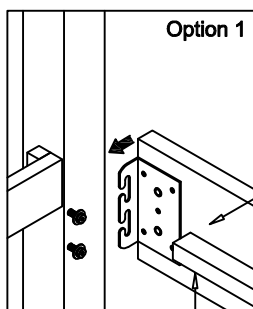
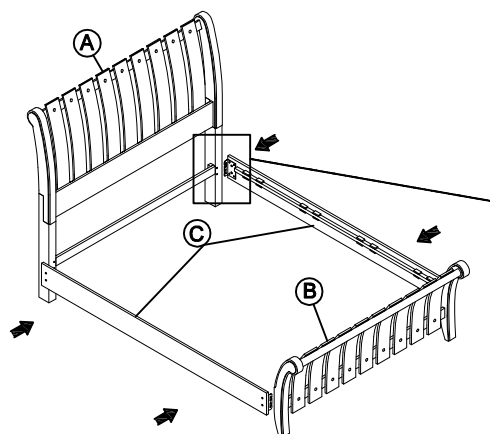
SKU: 32428369  
SKU: 32828367  
SKU: 32928369

**Caution:** Please read instructions thoroughly before unpacking assembly parts.

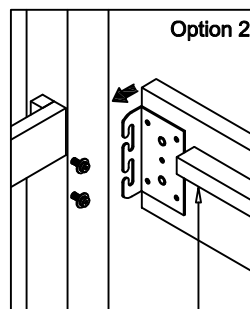
1. We recommend that you assemble this product with the assistance of another person. This will make assembly easier and help to eliminate damage to the product or injury to persons during assembly.
2. Be sure to check all packing materials carefully for small parts that may have come loose inside the carton during shipment.
3. Please put all parts on a non-abrasive surface and follow the assembly steps to assemble your newly purchased product correctly and efficiently.

## STEP 3

Attach Side Rail (C) to Headboard (A) and Footboard (B). Place the Side Rail (C) bracket hooks onto the Bolts loosened in Step 1. Apply downward force until they are fully in place. Tighten with Allen Wrench (3).



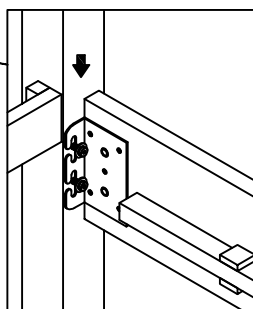
Low position



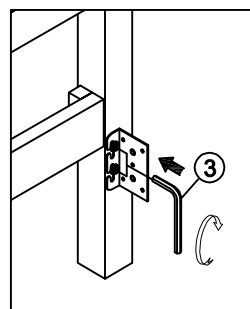
High position

Rotate 180°

STEP 3-1



STEP 3-2

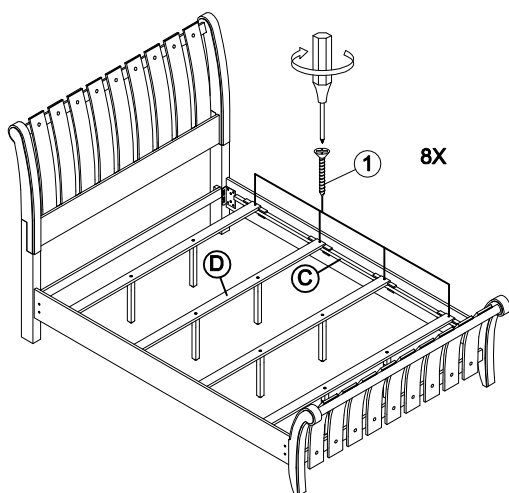


STEP 3-3

8X

## STEP 4A

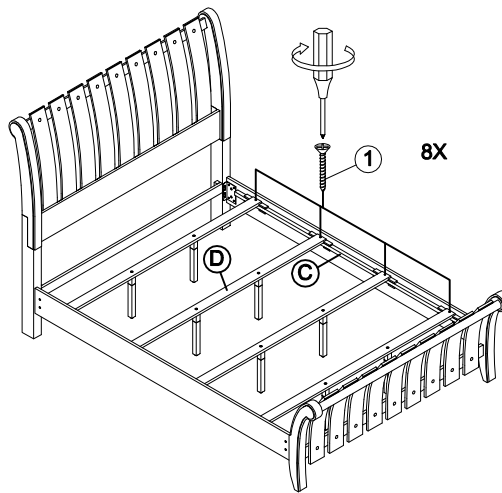
Attach Slats (D) to Side Rails (C) using Wood Screw (1) using a Phillips Head screwdriver (not included).



COMPLETE LOW POSITION

## STEP 4B

Attach Slats (D) to Side Rails (C) using Wood Screw (1) using a Phillips Head screwdriver (not included).



COMPLETE HIGH POSITION

Hardware Pack Location(s):

AUGR RTG2836-65F KING PANEL FOOTBOARD

SKU: 32828367



# ASSEMBLY INSTRUCTIONS

AUGR RTG2836-60H QUEEN PANEL HEADBOARD  
 AUGR RTG2836-60F QUEEN PANEL FOOTBOARD  
 AUGR RTG2836-60R QUEEN / KING SIDE RAILS

SKU: 32328367  
 SKU: 32728365  
 SKU: 32928369

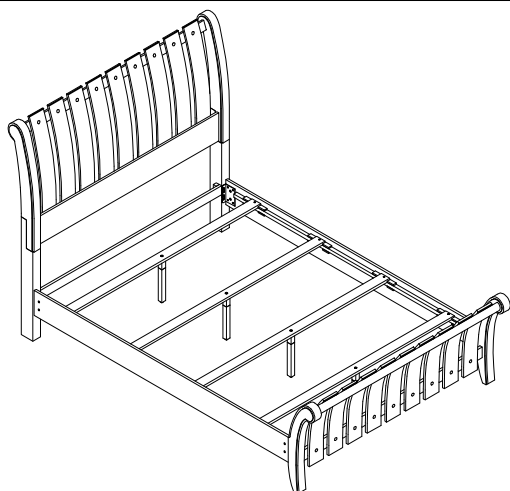
**Caution:** Please read instructions thoroughly before unpacking assembly parts.

1. We recommend that you assemble this product with the assistance of another person. This will make assembly easier and help to eliminate damage to the product or injury to persons during assembly.
2. Be sure to check all packing materials carefully for small parts that may have come loose inside the carton during shipment.
3. Please put all parts on a non-abrasive surface and follow the assembly steps to assemble your newly purchased product correctly and efficiently.

No	Hardware List			Qty
①	Wood Screw	Ø8 x 32mm		8pcs
③	Allen Wrench (packed in HB package)	L59 x 4mm		1pc

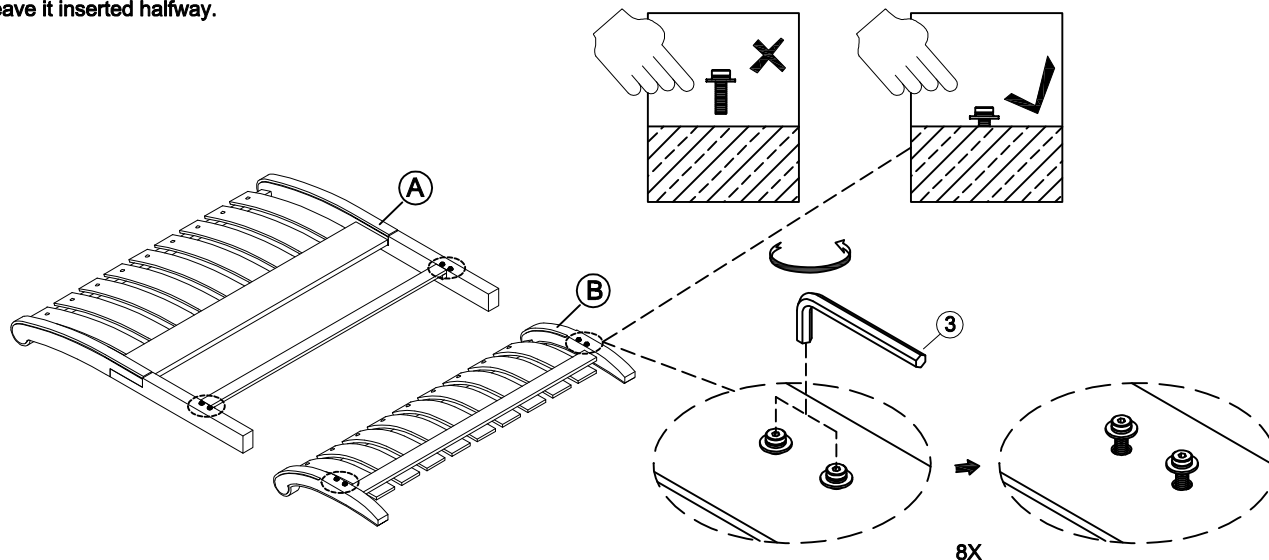
No	Description	Sketch	Qty
(A)	Headboard		1pc
(B)	Footboard		1pc
(C)	Side Rails		2pcs
(D)	Slats		4pcs
(E)	Long Support Leg		4pcs
(F)	Short Support Leg		4pcs

Assembly requires Phillips Head Screwdriver (not included)



## STEP 1

Loosen the Allen Bolt, Spring Washer, Flat Washer in the Headboard Leg (A) and Footboard (B) with Allen Wrench (3). Do not remove the bolt, leave it inserted halfway.



Hardware Pack Location(s):

AUGR RTG2836-60F QUEEN PANEL FOOTBOARD

SKU: 32728365





## ASSEMBLY INSTRUCTIONS

AUGR RTG2836-60H QUEEN PANEL HEADBOARD  
AUGR RTG2836-60F QUEEN PANEL FOOTBOARD  
AUGR RTG2836-60R QUEEN / KING SIDE RAILS

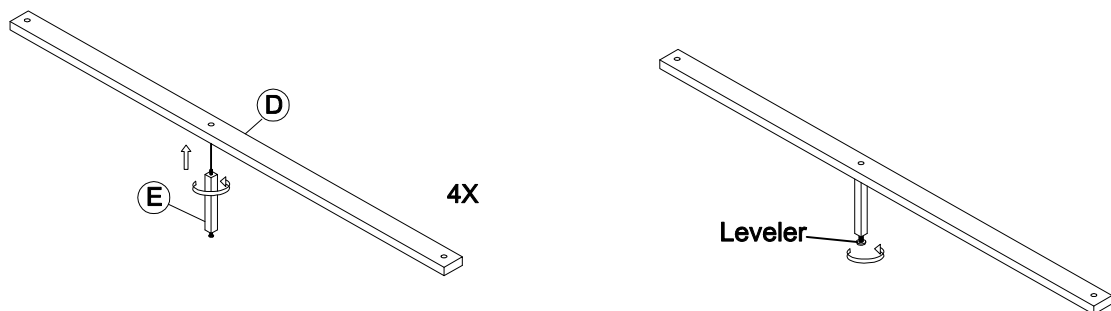
SKU: 32328367  
SKU: 32728365  
SKU: 32928369

**Caution:** Please read instructions thoroughly before unpacking assembly parts.

1. We recommend that you assemble this product with the assistance of another person. This will make assembly easier and help to eliminate damage to the product or injury to persons during assembly.
2. Be sure to check all packing materials carefully for small parts that may have come loose inside the carton during shipment.
3. Please put all parts on a non-abrasive surface and follow the assembly steps to assemble your newly purchased product correctly and efficiently.

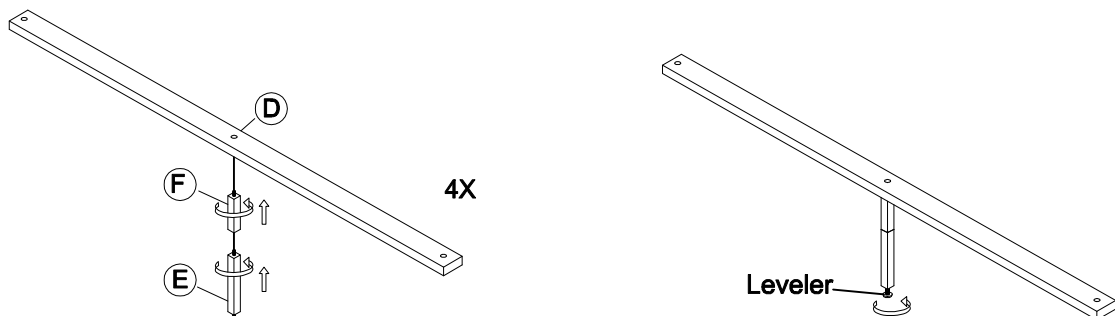
### STEP 2 (Option 1 - Low Position)

Thread Long Support Legs (E) into the insert nut on Slats (D).  
Short Support Leg(F) will not be used in Option 1.



### STEP 2 (Option 2- High Position)

Thread Short Support Legs (F) into the insert nut on Slats (D) and then Thread Long Support Legs (E) into the insert nut on Short Support Legs (F) as show below.



Hardware Pack Location(s):

AUGR RTG2836-60F QUEEN PANEL FOOTBOARD

SKU: 32728365



# ASSEMBLY INSTRUCTIONS

AUGR RTG2836-60H QUEEN PANEL HEADBOARD  
AUGR RTG2836-60F QUEEN PANEL FOOTBOARD  
AUGR RTG2836-60R QUEEN / KING SIDE RAILS

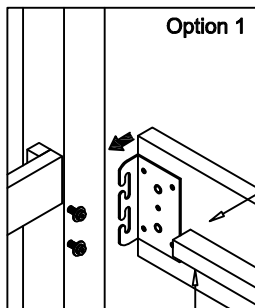
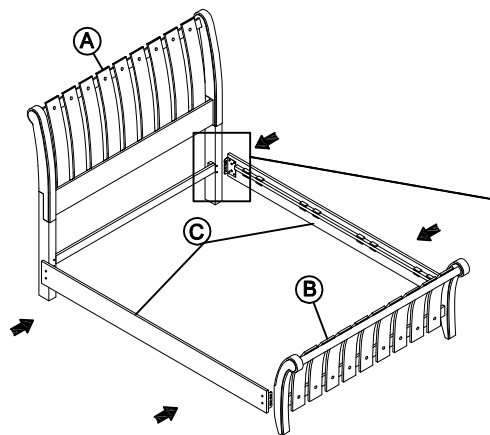
SKU: 32328367  
SKU: 32728365  
SKU: 32928369

**Caution:** Please read instructions thoroughly before unpacking assembly parts.

1. We recommend that you assemble this product with the assistance of another person. This will make assembly easier and help to eliminate damage to the product or injury to persons during assembly.
2. Be sure to check all packing materials carefully for small parts that may have come loose inside the carton during shipment.
3. Please put all parts on a non-abrasive surface and follow the assembly steps to assemble your newly purchased product correctly and efficiently.

## STEP 3

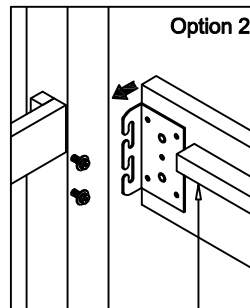
Attach Side Rail (C) to Headboard (A) and Footboard (B). Place the Side Rail (C) bracket hooks onto the Bolts loosened in Step 1. Apply downward force until they are fully in place. Tighten with Allen Wrench (3).



Rotate 180°

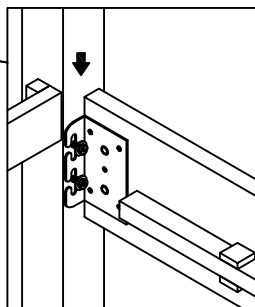
STEP 3-1

Low position

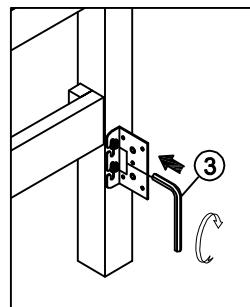


Option 2

High position



STEP 3-2

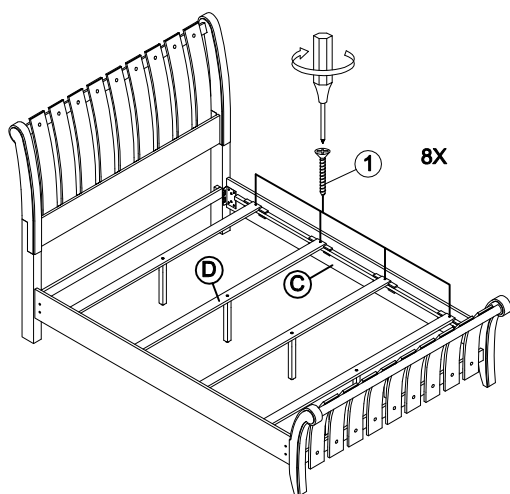


8X

STEP 3-3

## STEP 4A

Attach Slats (D) to Side Rails (C) using Wood Screw (1) using a Phillips Head screwdriver (not included).

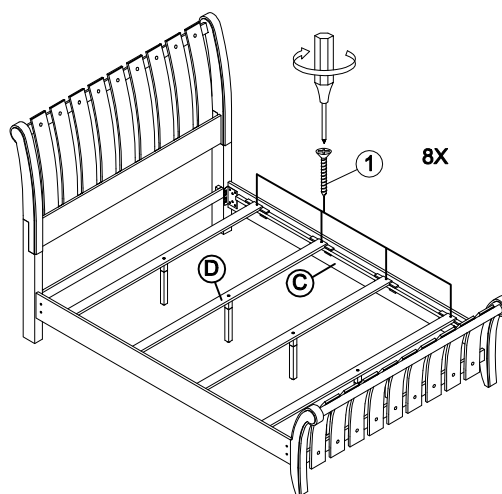


8X

COMPLETE LOW POSITION

## STEP 4B

Attach Slats (D) to Side Rails (C) using Wood Screw (1) using a Phillips Head screwdriver (not included).



8X

COMPLETE HIGH POSITION

Hardware Pack Location(s):

AUGR RTG2836-60F QUEEN PANEL FOOTBOARD

SKU: 32728365






# ASSEMBLY INSTRUCTIONS

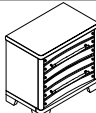
AUGR RTG2836-20 NIGHTSTAND

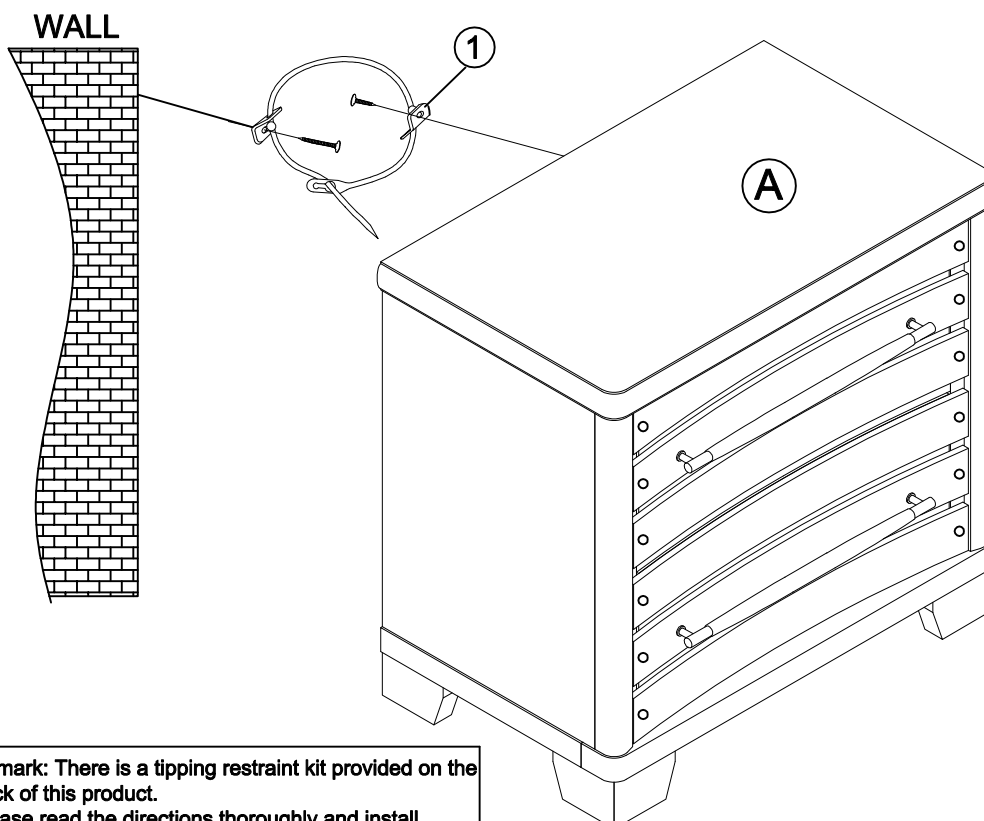
SKU: 32528361

**Caution:** Please read instructions thoroughly before unpacking assembly parts.

1. We recommend that you assemble this product with the assistance of another person. This will make assembly easier and help to eliminate damage to the product or injury to persons during assembly.
2. Be sure to check all packing materials carefully for small parts that may have come loose inside the carton during shipment.
3. Please put all parts on a non-abrasive surface and follow the assembly steps to assemble your newly purchased product correctly and efficiently.

No	Hardware List		Qty
①	Tipping Restraint		1pc

No	Description	Sketch	Qty
Ⓐ	Nightstand		1pc



★ Remark: There is a tipping restraint kit provided on the back of this product. Please read the directions thoroughly and install immediately when placed in home.

Hardware Pack Location(s):

AUGR RTG2836-20 NIGHTSTAND

SKU: 32528361



# ASSEMBLY INSTRUCTIONS


AUGR RTG2836-40 CHEST

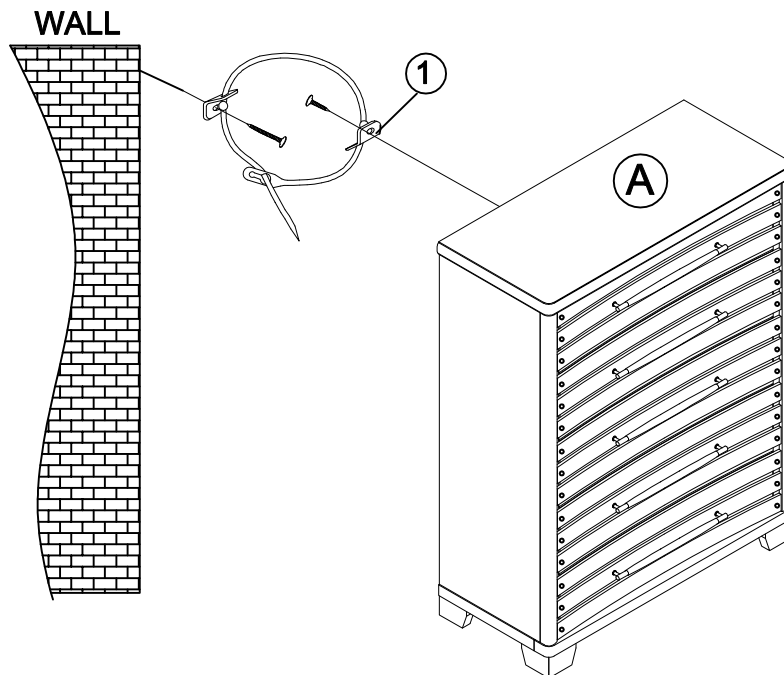
SKU: 32628363

**Caution:** Please read instructions thoroughly before unpacking assembly parts.

1. We recommend that you assemble this product with the assistance of another person. This will make assembly easier and help to eliminate damage to the product or injury to persons during assembly.
2. Be sure to check all packing materials carefully for small parts that may have come loose inside the carton during shipment.
3. Please put all parts on a non-abrasive surface and follow the assembly steps to assemble your newly purchased product correctly and efficiently.

No	Hardware List		Qty
①	Tipping Restraint		1pc

No	Description	Sketch	Qty
Ⓐ	Chest		1pc



★ Remark: There is a tipping restraint kit provided on the back of this product. Please read the directions thoroughly and install immediately when placed in home.

Hardware Pack Location(s):

AUGR RTG2836-40 CHEST

SKU: 32628363



# ASSEMBLY INSTRUCTIONS

AUGR RTG2836-10 DRESSER

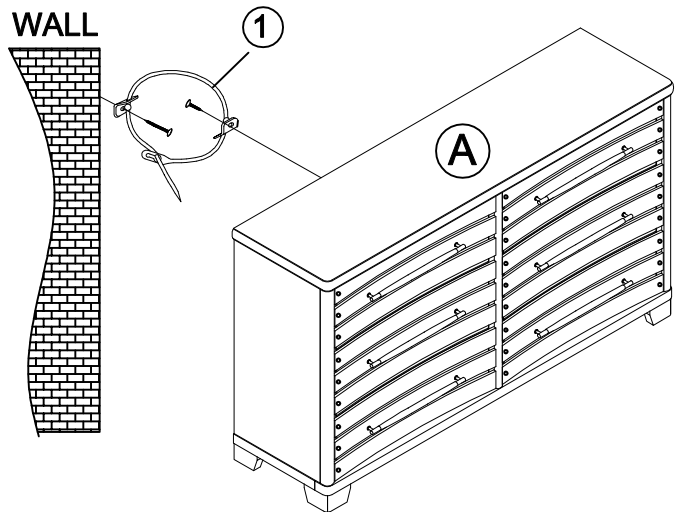
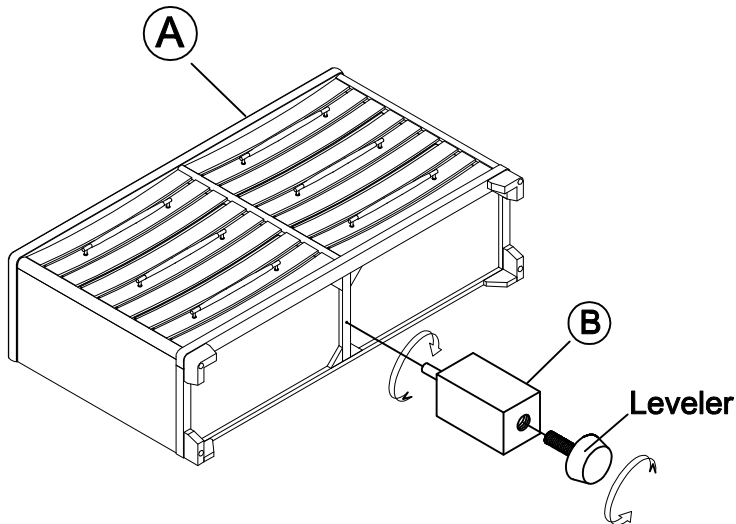
SKU: 32128363

**Caution:** Please read instructions thoroughly before unpacking assembly parts.

1. We recommend that you assemble this product with the assistance of another person. This will make assembly easier and help to eliminate damage to the product or injury to persons during assembly.
2. Be sure to check all packing materials carefully for small parts that may have come loose inside the carton during shipment.
3. Please put all parts on a non-abrasive surface and follow the assembly steps to assemble your newly purchased product correctly and efficiently.

No	Hardware List	Qty
①	Tipping Restraint	1pc

No	Description	Sketch	Qty
Ⓐ	Dresser		1pc
Ⓑ	Center Leg		1pc



★ Remark: There is a tipping restraint kit provided on the back of this product. Please read the directions thoroughly and install immediately when placed in home.

Hardware Pack Location(s):

AUGR RTG2836-10 DRESSER

SKU: 32128363