

Assembly Instruction


HMIS 3320-81 NIGHTSTAND

SKU # 32533209

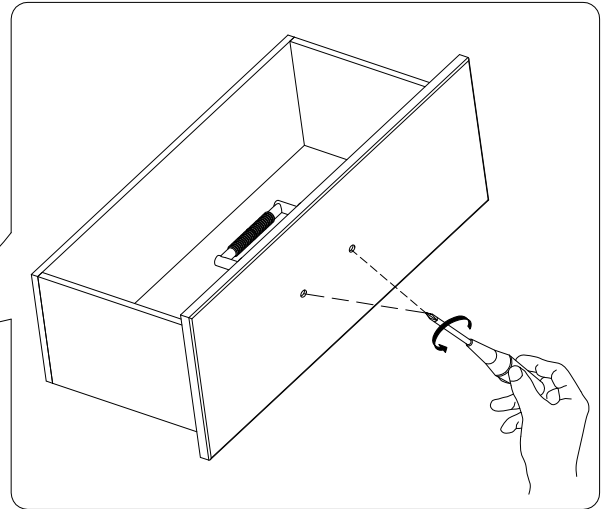
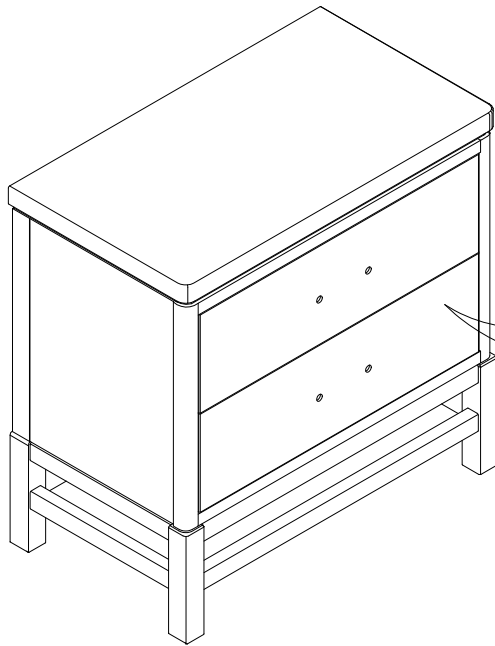
***Caution: Please read all instructions carefully before starting the assembly process. These parts are cumbersome and heavy. Therefore, two people are recommended in order to prevent personal injury and ensure the parts are not damaged during the assembly.

STEP 1: Use a screwdriver to remove the two bolts.
STEP 2: Bring the handle to the outside and then use a screwdriver to lock the two bolts.

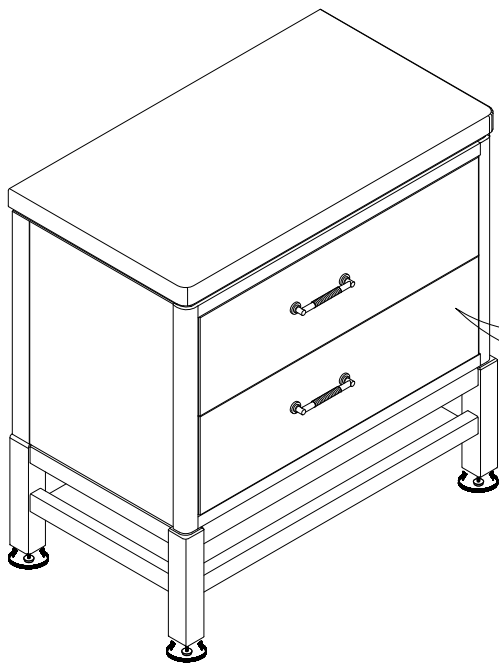
TOOLS REQUIRED (NOT PROVIDED)

Description	Sketch
Phillips screwdriver	

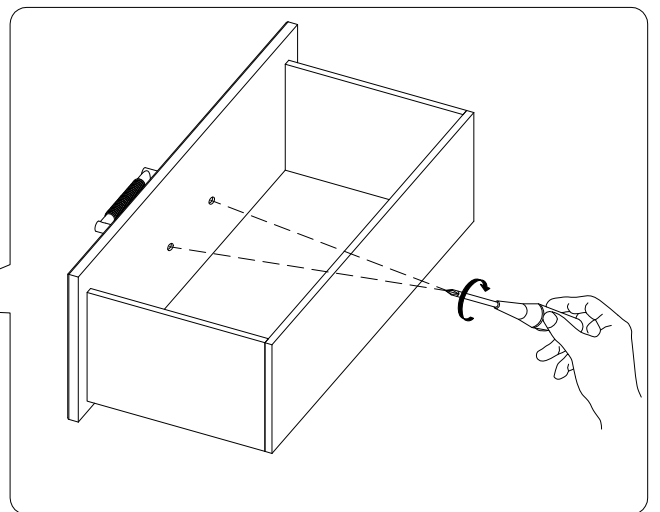
STEP 1



STEP 2



adjustable leveler



This product is manufactured by HMIS for

ROOMS TO GO ►

MADE IN VIETNAM

1 OF 1