

IDEAITALIA - ITEM

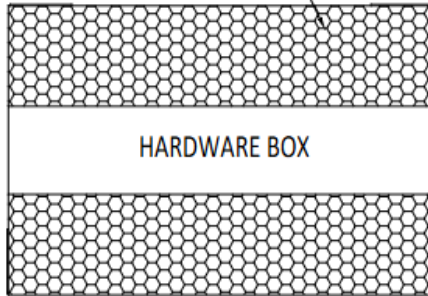
RTG 32533677

ORNATA

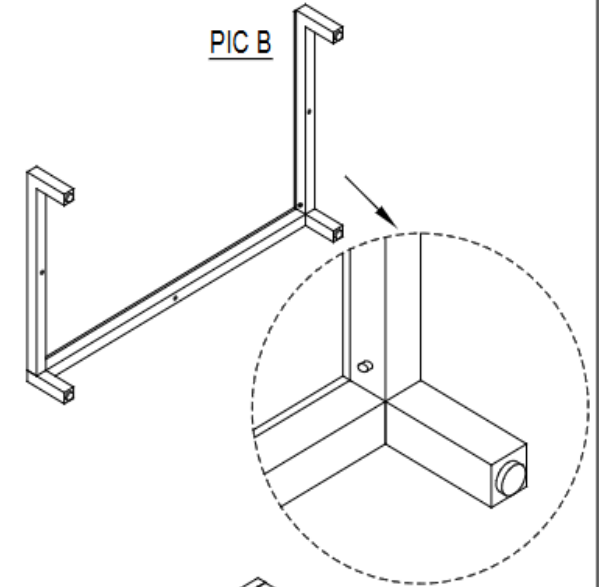
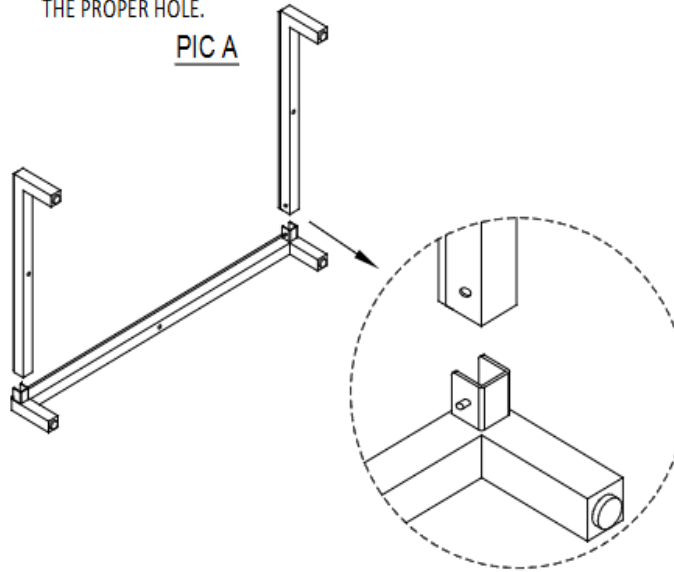
NIGHTSTAND METAL BASE ASSEMBLY

- 1) REMOVE HARDWARE BOX CONTAIN METAL BASE AND METAL HANDLES

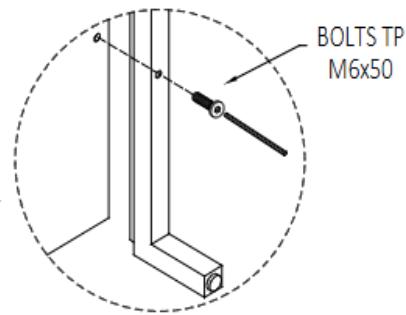
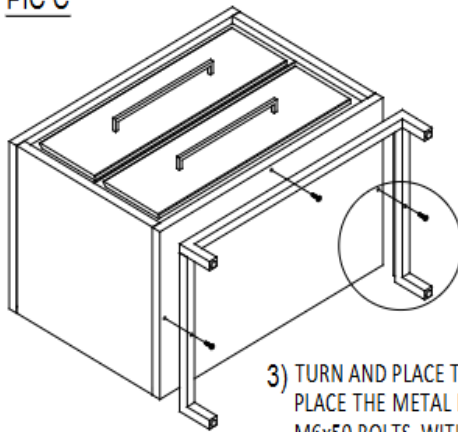
HONEYCOMB CARDBOARD



- 2) ALIGN AND INSERT THE UPRIGHTS INTO THE CROSSBAR AS SHOWN IN "PIC A". YOU SHOULD HEAR A SMALL "CLICK" WHEN THE PIN ALIGNS WITH THE PROPER HOLE.

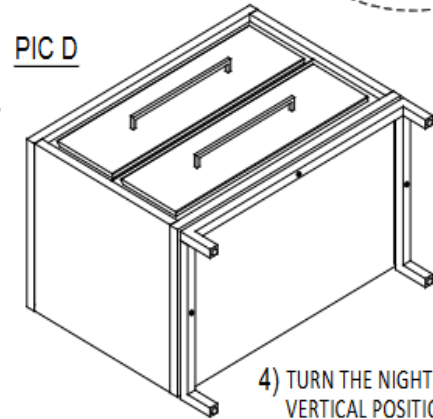


PIC C



- 3) TURN AND PLACE THE BACK OF THE NIGHTSTAND ON THE FLOOR. PLACE THE METAL BASE AT THE BOTTOM OF THE NIGHTSTAND AND FIX IT WITH n°3 M6x50 BOLTS WITH ALLEN WRENCH AS SHOWN IN "PIC D"

PIC D

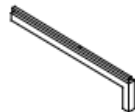


- 4) TURN THE NIGHTSTAND IN VERTICAL POSITION

PARTS LIST



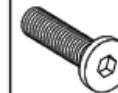
n° 1 NIGHTSTAND METAL CROSS



n° 1 RIGHT UPRIGHT



n° 1 LEFT UPRIGHTS



n° 3 BOLTS TP M6x50



n° 1 ALLEN WRENCH