



ASSEMBLY INSTRUCTION

PULA 3375-140 NIGHTSTAND - SKU# 32533754

Manufactured by PULA for Rooms To Go

Version#1 - 06/22/2024

*** Caution: Please read all instructions carefully before starting the assembly process. These parts are cumbersome and heavy. Therefore, two people are recommended in order to prevent personal injury and ensure the parts are not damaged during the assembly

PARTS LIST :

No.	Description	Sketch	Q'ty
1	Nightstand		1Pc
2	Adapter		1Pc

HARDWARE LIST:

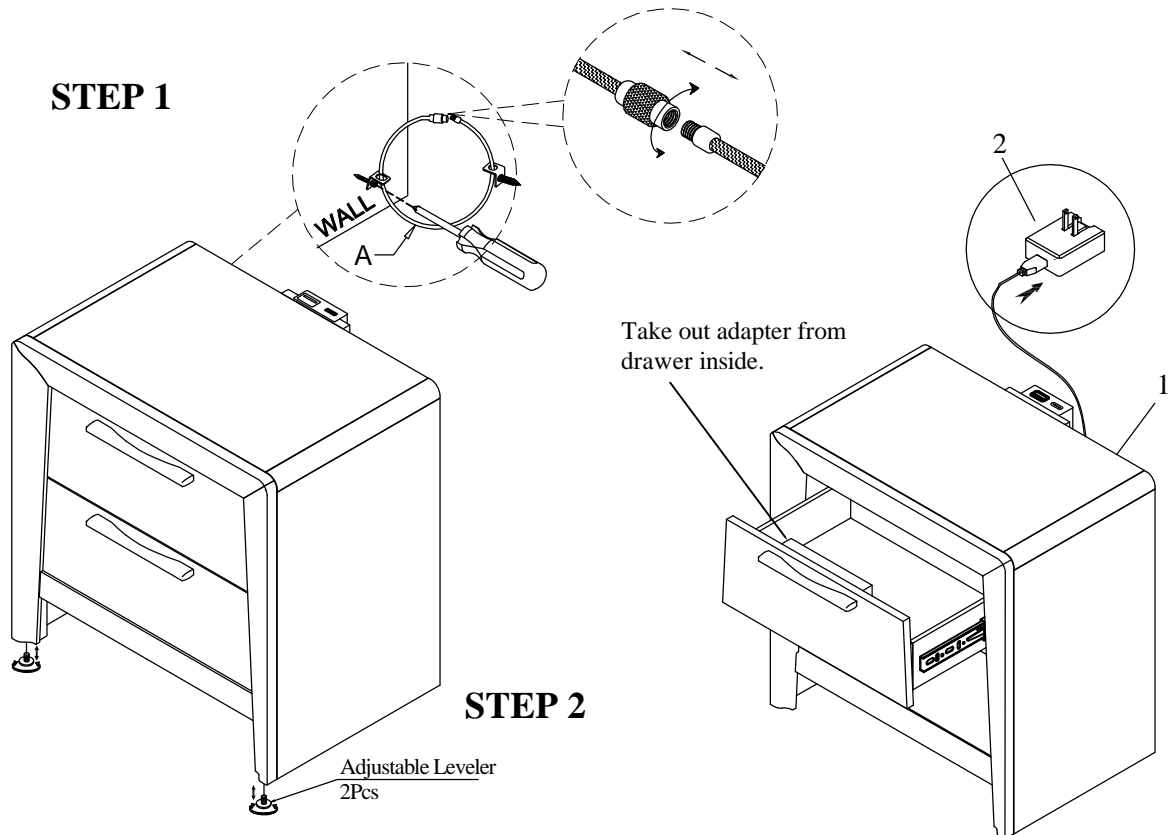
No.	Description	Sketch	Q'ty
A	Furniture Tipping Restraint		1 Set

TOOL REQUIRED (NOT PROVIDED)	
Description	Sketch
Phillip Screwdriver	

STEP 1: Position the Nightstand in its desired location. Refer to the assembly instructions of Anti tipping kits to fix the Nightstand to the wall.

STEP 2: If any of the four (4) feet are not firmly touching the ground, unscrew the Adjustable Leveler on the two Front Legs until the Nightstand is stable.

REMARK:
Anti-tip hardware - customer assembly required



Hardware Pack Location (S): Anti Tipping Kit Hardware pack at 3375-140 NIGHTSTAND - SKU# 32533754

IMPORTANT SAFETY INSTRUCTIONS



WARNING

Misuse can result in FIRE or DEATH by ELECTRICAL SHOCK

[ELECTRICAL RATING (DC 5V/2A/10W)]

[IDEAL]

[180002]

Read all instructions before using this furnishing.

DANGER – To reduce the risk of electric shock:

- Always unplug this furnishing from the electrical outlet before cleaning or servicing.

WARNING – To reduce the risk of burns, fire, electric shock, or injury to persons:

- Unplug from outlet before putting on or taking off parts.
- Never operate this furnishing if it has a damaged electrical cord or plug, if it is not working properly, or if the electrical cord or plug has been damaged or dropped into water. Stop using this furnishing and call a service center for examination and repair.
- Keep the electrical cord and plug away from heated surfaces and other heat sources.
- To disconnect, turn all controls to the off position, then remove plug from outlet
- When operating, ensure that electrical cord is not under the base, legs, or motion mechanism to avoid damage to electrical cord or plug.
- Do not strain or stretch electrical cord.
- Do not use extension cords or power strips.
- Keep out of reach of children. This is not a toy.
- Plug directly into a compatible electrical socket.
- Do not modify the plug or use any adapters.

INSTRUCCIONES DE SEGURIDAD IMPORANTES



WARNING

El mal uso puede provocar INCENDIO o MUERTE por DESCARGA ELÉCTRICA

[ELECTRICAL RATING (DC 5V/2A/10W)]

[IDEAL]

[180002]

Leer todas las instrucciones antes de usar este mobiliario.

Peligro – Para reducir el riesgo de descarga eléctrica:

- Siempre desenchufe este accesorio de la toma de corriente eléctrica antes de limpiarlo o repararlo.

ADVERTENCIA: para reducir el riesgo de quemaduras, incendios, descargas eléctricas o lesiones a personas:

- Desenchufe del tomacorriente antes de colocar o quitar partes.
- Nunca opere este accesorio si tiene un cable o enchufe eléctrico dañado, si no funciona correctamente, o si el cable o el enchufe eléctrico se dañado o se ha caído al agua. Deje de usar este equipamiento y llame a un centro de servicio para que lo examinen y lo reparen.
- Mantenga el cable eléctrico y el enchufe lejos de superficies calientes y otras fuentes de calor.
- Para desconectar, gire todos los controles a la posición de apagado, luego retire el enchufe del tomacorriente.
- Al operar, asegúrese de que el cable eléctrico no esté debajo de la base, las patas o el mecanismo de movimiento para evitar dañar el cable eléctrico o el enchufe.
- No fuerce ni estire el cable eléctrico.
- No utilizar cables de extensión o tomas de corriente.
- Mantener fuera del alcance de los niños. Esto no es un juguete
- Enchúfelo directamente a una toma de corriente compatible.
- No modifique el enchufe ni utilice adaptadores.