



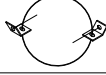
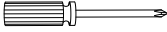

# ASSEMBLY INSTRUCTIONS

LWYE 4731 / 4733 - 150NH NIGHTSTAND W/USB  
SKU # 32547359 / 32547373

Manufactured by (LWYE) for ROOMS TO GO

Version 1.0 05/2026

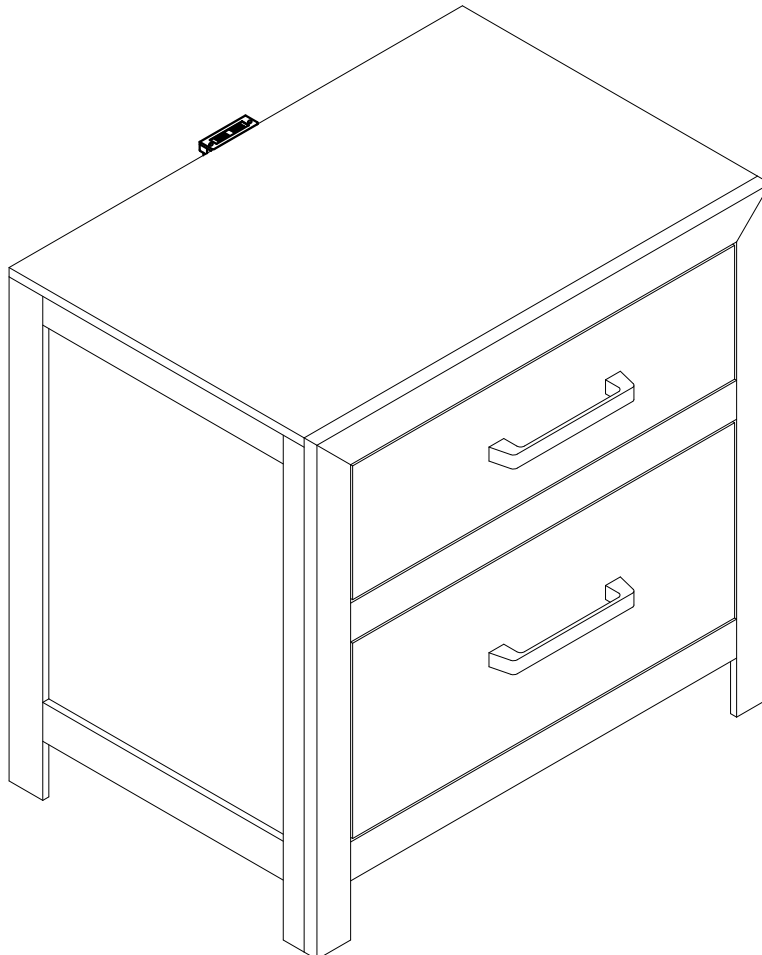
Thank you for purchasing this quality product. Be sure to check all packing material carefully for small parts. Which may have come loose inside the carton during shipment. Identify and count all parts and compare with the hardware list below :

	No.	Picture	Description	Dimension	Qty
Hardware List	①		FURNITURE TIPPING RESTRAINT		1 SET
	②		PHILIPS HEAD SCREWDRIVER	NOT PROVIDED	1 PC
Parts List			<b>Description</b>		<b>Qty</b>
	A		NIGHTSTAND W/USB		1 PC

## ELECTRICAL SAFETY INSTRUCTIONS

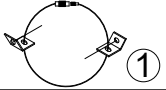
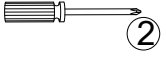
**WARNING: DO not use extension cords or surge protectors unless they meet the following requirements:**

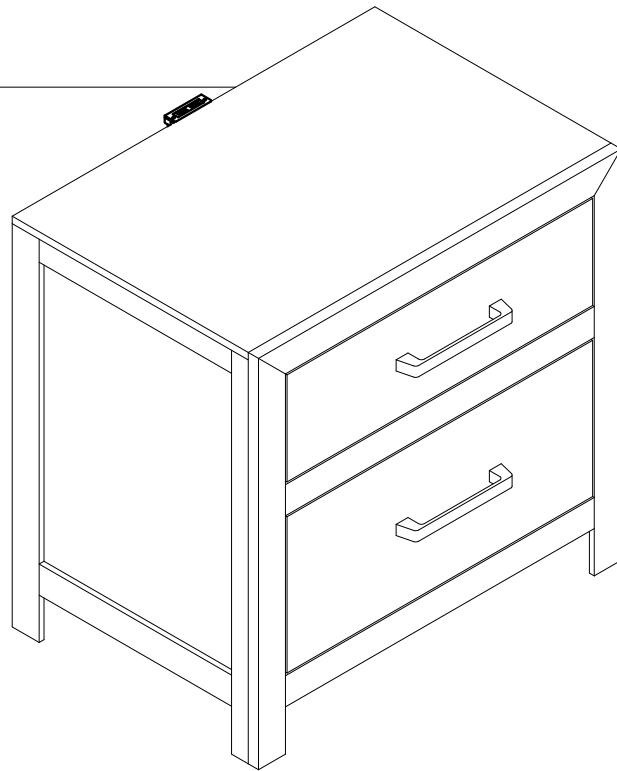
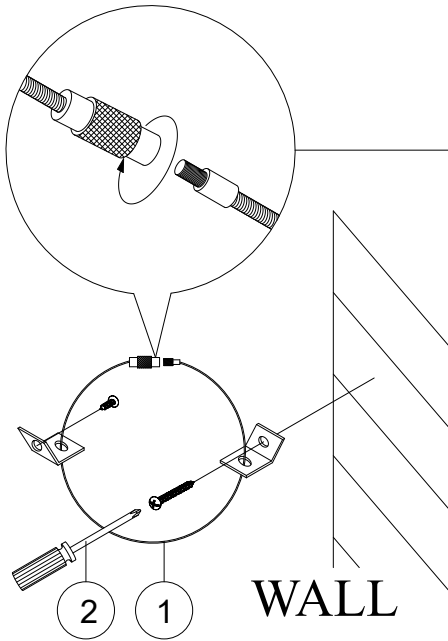
- Cords must be 3rd party listed and rated for at least 15 amps at 120 V Third party listing symbol examples.
- Use the minimum length extension cord possible.
- Check the cord for fraying, cuts, melted areas, or other damage.
- Never plug an extension cord into another extension cord.
- Household outlets should be GFCI protected, otherwise a GFCI protected extension cord should be used.



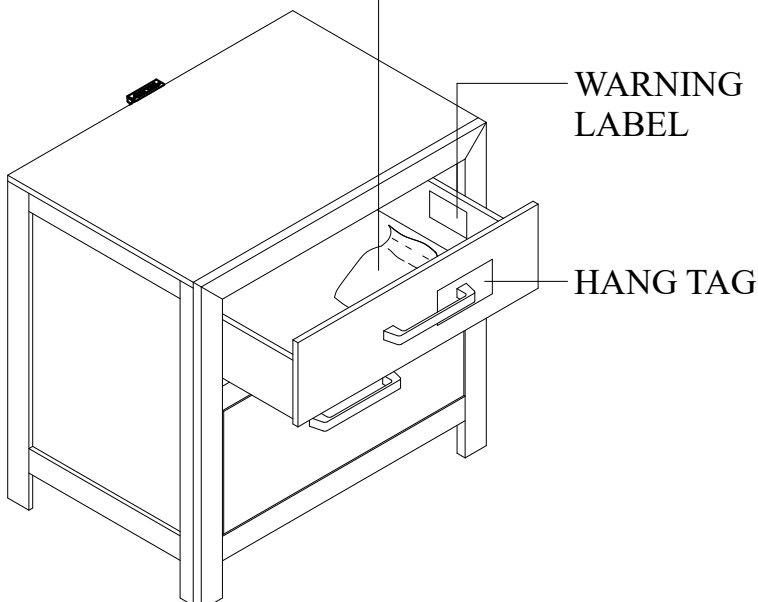
# ASSEMBLY STEP

**STEP 1 :** To prevent the Nightstand (A) from tipping, mount one side of the Tipping Restraint (1) to the backside of the Nightstand (A) and other side to the wall.

Hardware List		
	Description	Qty
	FURNITURE TIPPING RESTRAINT	1 SET
	PHILIP HEAD SCREWDRIVER (NOT PROVIDED)	1 PC



ANTI TIPPING KIT  
(SCREW WITH HANDLE)





# WARNING

Misuse can result in FIRE or DEATH by ELECTRICAL SHOCK

11VDC/2.5A

FUJIAN CHUANGWEN HARDWARE PRODUCTS CO., LTD  
SG-PD34MU

**Read all instructions before using this furnishing.**

**DANGER – To reduce the risk of electric shock**

1. Always unplug this furnishing from the electrical outlet before cleaning or servicing.

**WARNING – To reduce the risk of burns, fire, electric shock, or injury to persons:**

1. Unplug from outlet before putting on or taking off parts.
2. Never operate this furnishing if it has a damaged electrical cord or plug, if it is not working properly, or if the electrical cord or plug has been damaged or dropped into water. Stop using this furnishing and call a service center for examination and repair.
3. Keep the electrical cord and plug away from heated surfaces and other heat sources.
4. To disconnect, turn all controls to the off position, then remove plug from outlet.
5. When operating, ensure that electrical cord is not under the base, legs, or motion mechanism to avoid damage to electrical cord or plug.
6. Do not strain or stretch electrical cord.
7. Do not use extension cords or power strips.
8. Keep out of reach of children. This is not a toy.
9. Plug directly into a compatible electrical socket.
10. Do not modify the plug or use any adapters.



# WARNING

El mal uso puede provocar INCENDIO o MUERTE por DESCARGA ELÉCTRICA

11VDC/2.5A

FUJIAN CHUANGWEN HARDWARE PRODUCTS CO., LTD  
SG-PD34MU

**Leer todas las instrucciones antes de usar este mobiliario.**

**PELIGRO – Para reducir el riesgo de descarga eléctrica:**

1. Siempre desenchufe este accesorio de la toma de corriente eléctrica antes de limpiarlo o repararlo.

**ADVERTENCIA: para reducir el riesgo de quemaduras, incendios, descargas eléctricas o lesiones a personas:**

1. Desenchufe del tomacorriente antes de colocar o quitar piezas.
2. Nunca opere este accesorio si tiene un cable o enchufe eléctrico dañado, si no funciona correctamente, o si el cable o el enchufe eléctrico se ha dañado o se ha caído al agua. Deje de usar este equipamiento y llame a un centro de servicio para que lo examinen y lo reparen.
3. Mantenga el cable eléctrico y el enchufe lejos de superficies calientes y otras fuentes de calor.
4. Para desconectar, gire todos los controles a la posición de apagado, luego retire el enchufe del tomacorriente.
5. Al operar, asegúrese de que el cable eléctrico no esté debajo de la base, las patas o el mecanismo de movimiento para evitar dañar el cable eléctrico o el enchufe.
6. No fuerce ni estire el cable eléctrico.
7. No utilizar cables de extensión o tomas de corriente.
8. Mantener fuera del alcance de los niños. Esto no es un juguete.
9. Enchúfelo directamente a una toma de corriente compatible.
10. No modifique el enchufe ni utilice adaptadores