

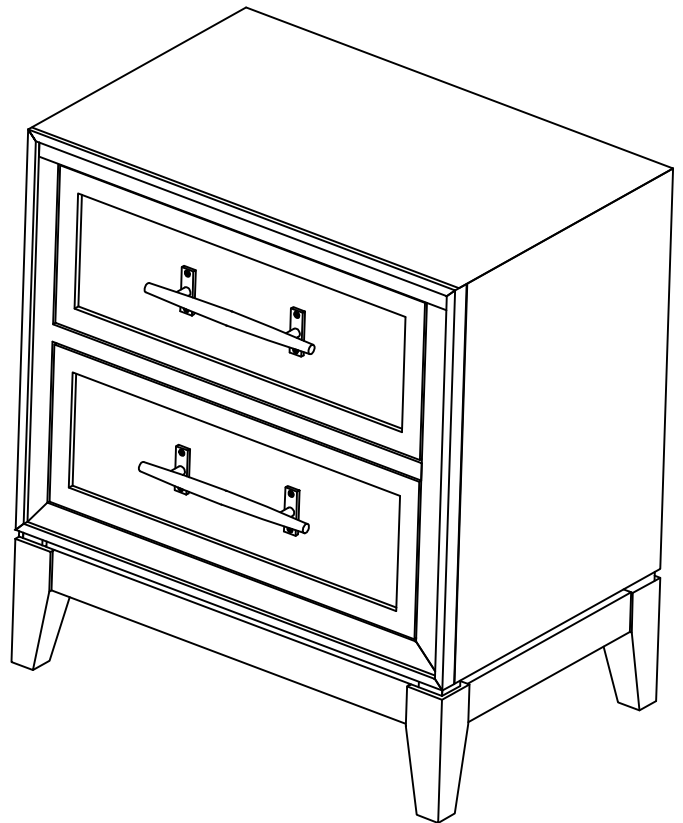


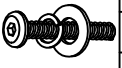


ASSEMBLY INSTRUCTIONS

RHHL 4744-410 NIGHTSTAND

SKU 32547448

Part list			
NO.	Drawing	Qty.	Description
P1		1	Nightstand
P2		4	Legs



Hardware list			
NO.	Drawing	Qty.	Description
H1		8	Ø5/16" x 50mm L Bolt
		8	Ø5/16" x Ø12mm Spring washer
		8	Ø5/16" x Ø19mm Flat washer
H2		1	Allen wrench (4mm)
H3		1set	Tipping restraint

***Caution : Please read all instructions carefully before starting the assembly process. These parts are cumbersome and heavy. Therefore, two people are recommended in order to prevent personal injury and insure the parts are not damaged during the assembly.

