



Assembly Instructions

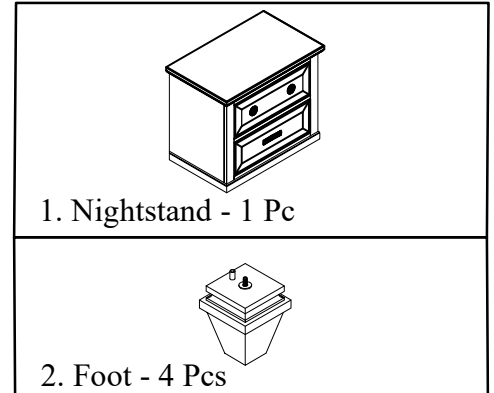
NCHF 5213-5NS NIGHTSTAND - SKU# 32552134

Manufactured by NCHF for Rooms To Go

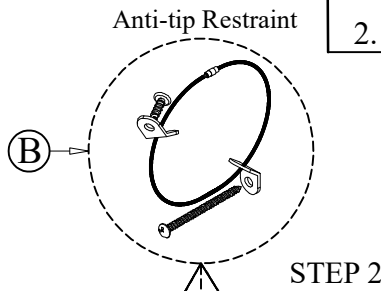
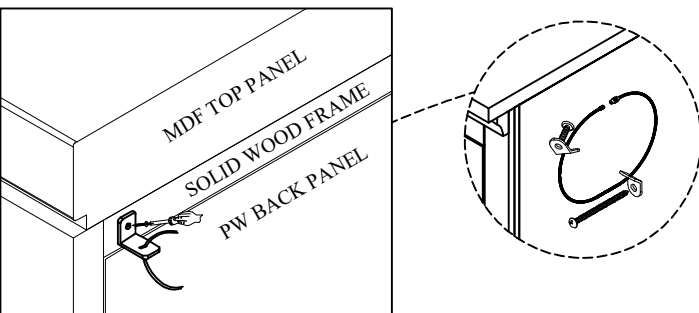
VERSION 1-2024/03/19

Step	Code	Hardware	Q'TY
1	A	4MM Allen Key	1 Pc
2	B	Anti-tip Restraint	1 Set

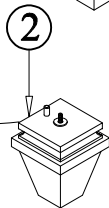
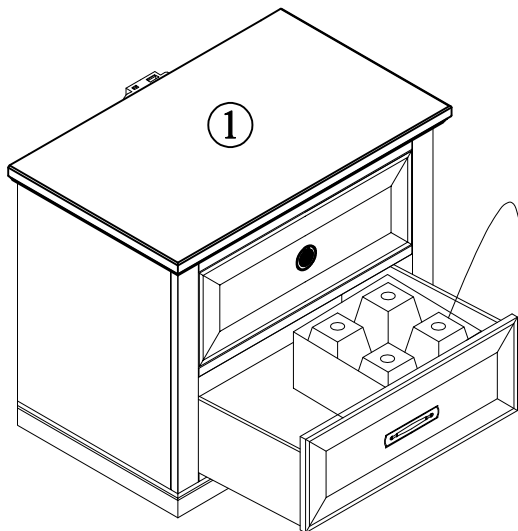
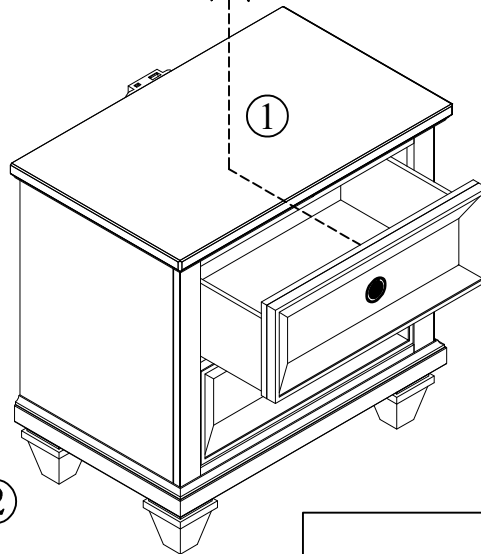
PARTS LIST



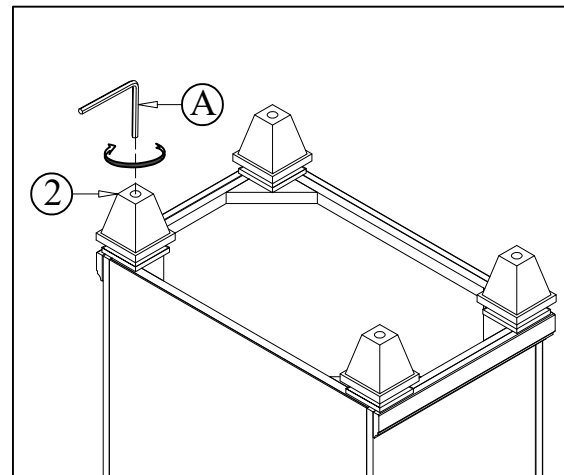
***Remarks: Anti-tip hardware customer assembly required.** Tipping Restraint kit provided must be installed to solid woodback frame only. Do not install to MDF top panel or PW back panel.



TOOL REQUIRED (NOT PROVIDED)	
Description	Sketch
Phillips Screwdriver	



STEP 1



HARDWARE PACK LOCATION(S):

NCHF 5213-5NS NIGHTSTAND - SKU# 32552134