

**ROOMS
TO GO**

LWYE ASSEMBLY INSTRUCTIONS

MODEL : 5450 / 5453

NIGHT STAND

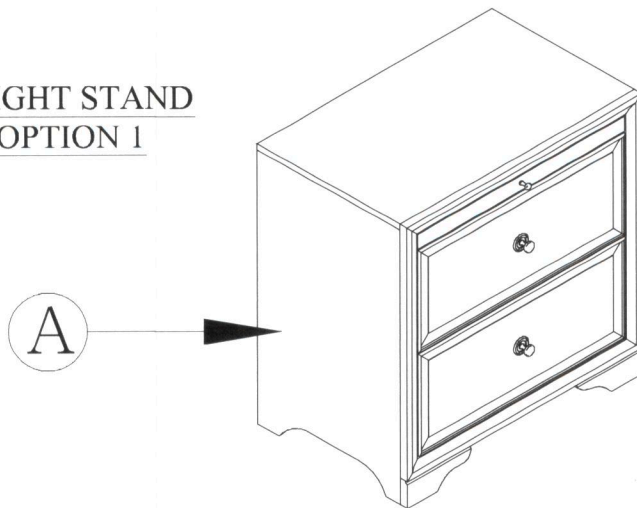
5450 / 5453-5 - SKU # 32554506 / 32554532

Thank you for purchasing this quality product. Be sure to check all packing material carefully for small parts. Which may have come loose inside the carton during shipment. Identify and count all parts and compare with the hardware list below :

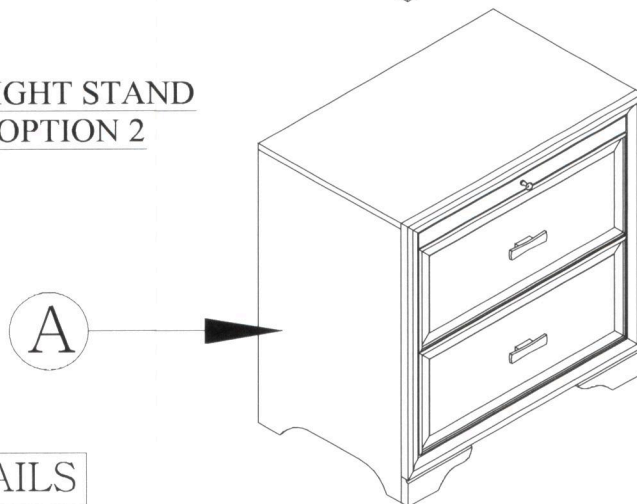
	No.	Picture	Description	Dimension	Qty
Hardware List	①		Handle (Option 1)		2 Pcs
	②		Handle (Option 2)		2 Pcs
	③		Handle Screw	4 x 28mm	6 Pcs
	④		Screw Driver (*)		1 Pc
Parts List Notes :	No.	Description			Qty
	A	Night Stand			1 Pc

(*) The manufacturer does NOT provided Item 4.

COMPLETED NIGHT STAND
ASSEMBLY OPTION 1



COMPLETED NIGHT STAND
ASSEMBLY OPTION 2





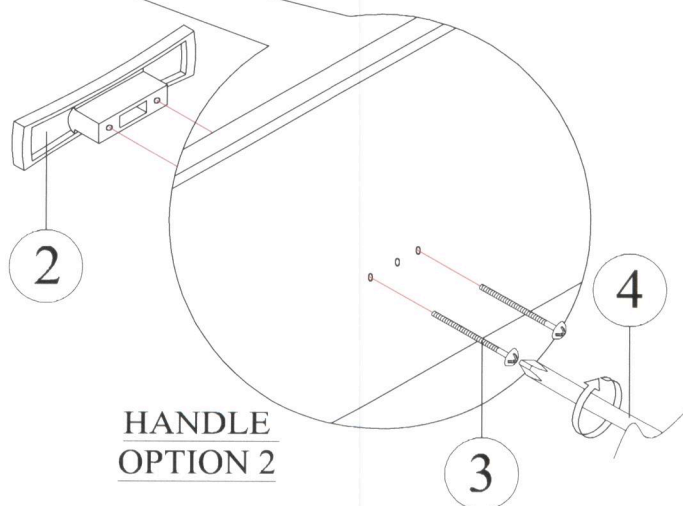
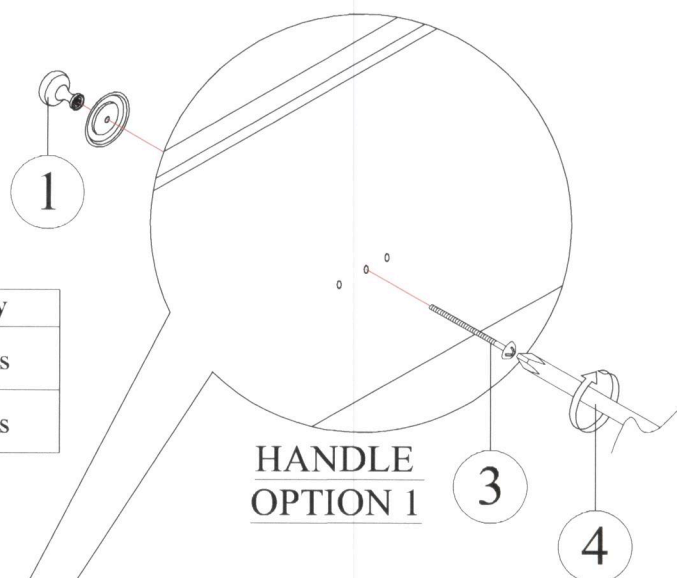
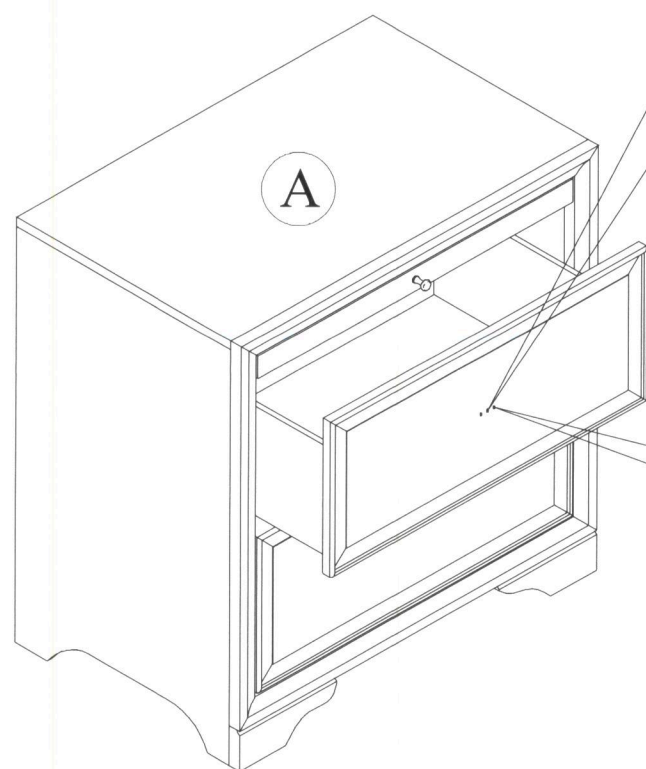
PARTS DETAILS

Assembly step

STEP 1

To assemble handle to drawer

No.	Picture	Description	Qty
①		Handle (Option 1)	2 Pcs
②		Handle (Option 2)	2 Pcs



NOTE :