

ROOMS TO GO

Manufactured for Rooms to Go.


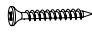
Assembly Instructions

32173192 - 7319-120 LUMA VISTA DRESSER WHITE GLOSS
 32573190 - 7319-130 LUMA VISTA NIGHTSTAND WHITE GLOSS
 32673192 - 7319-115 LUMA VISTA CHEST WHITE GLOSS
 32173166 - 7316-320 LUMA VISTA DRESSER BLUE GLOSS
 32573164 - 7316-330 LUMA VISTA NIGHTSTAND BLUE GLOSS
 32673166 - 7316-315 LUMA VISTA CHEST BLUE GLOSS

Component List

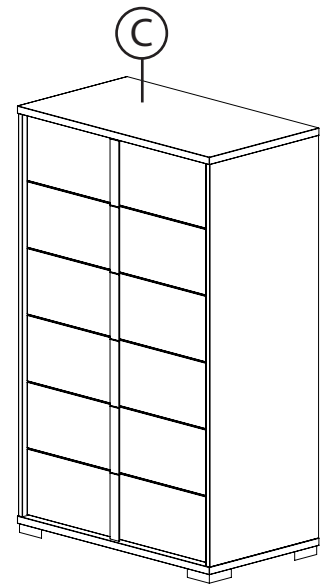
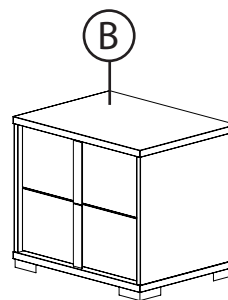
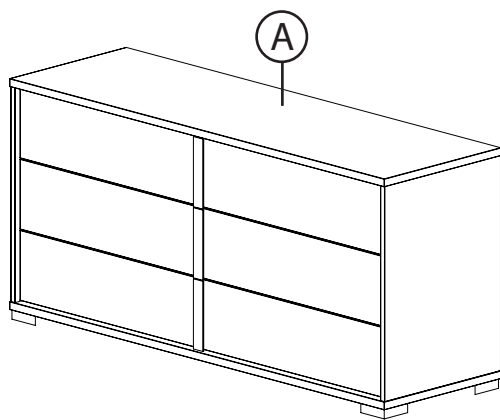
No	Descriptions	Qty
A	Dresser	1
B	Nightstand	1
C	Chest	1

DRESSER Hardware List

No	Descriptions	Qty
1	Foot 	5
2	TPS Screw M4x25mm 	5

NIGHTSTAND-CHEST Hardware List

No	Descriptions	Qty
1	Foot 	4
2	TPS Screw M4x25mm 	4

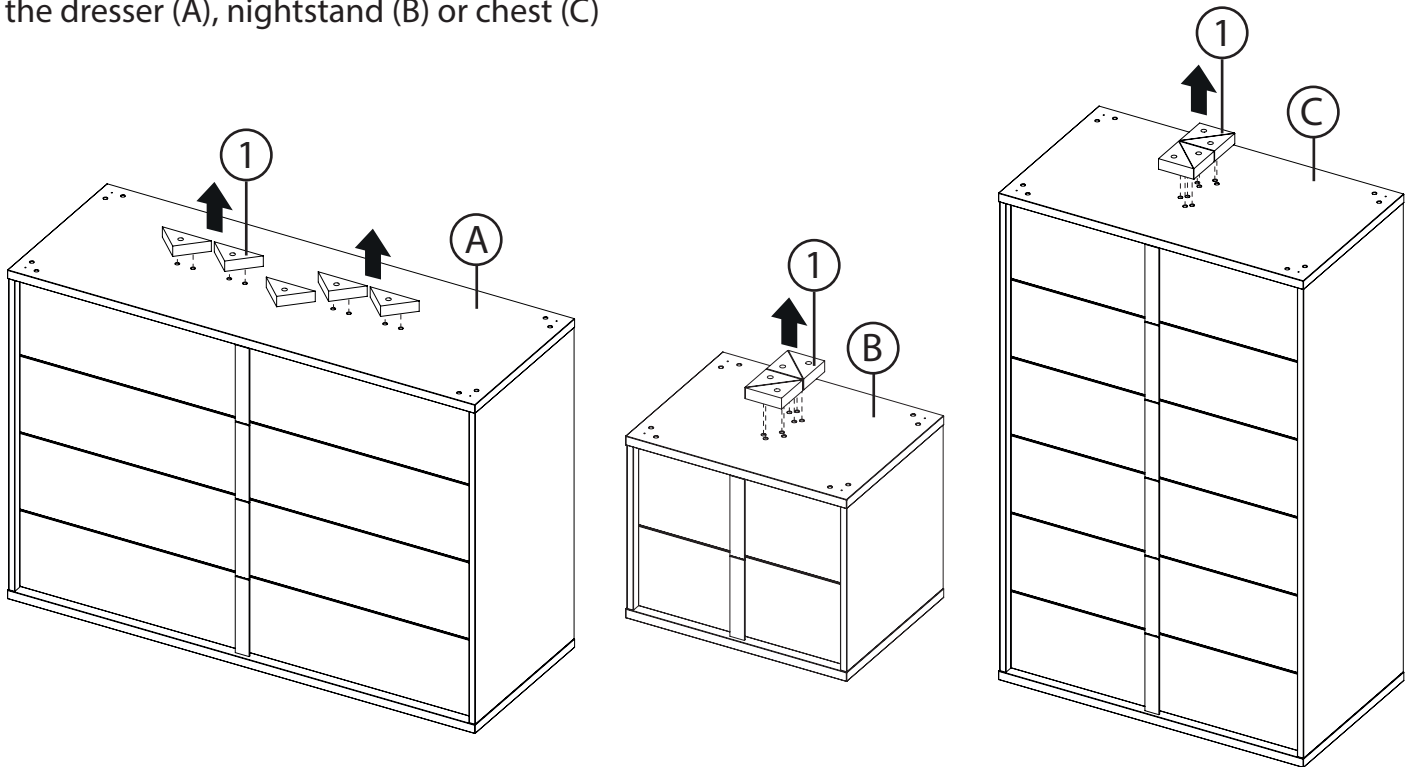


Hardware Pack Location(s):

32173192 - 7319-120 LUMA VISTA DRESSER WHITE GLOSS
 32573190 - 7319-130 LUMA VISTA NIGHTSTAND WHITE GLOSS
 32673192 - 7319-115 LUMA VISTA CHEST WHITE GLOSS
 32173166 - 7316-320 LUMA VISTA DRESSER BLUE GLOSS
 32573164 - 7316-330 LUMA VISTA NIGHTSTAND BLUE GLOSS
 32673166 - 7316-315 LUMA VISTA CHEST BLUE GLOSS

STEP 1.1

STEP 1.1: Remove the feet (1) from the bottom panel of the dresser (A), nightstand (B) or chest (C)



STEP 1.2

STEP 1.2: Fix the feet (1) to the bottom panel of the furniture by tightening the screws (2)

