

# Assembly instructions for

## Nightstand 737/738-150


### 8738-150

**RIEE: 32573811**

**Caution:** Please read instructions thoroughly before unpacking assembly parts. Sharp, exposed staple tips can cause injury, therefore, for your protection, please remove any exposed staples used in packing.

1. We recommend that you should assemble this product with the assistance of another person; this will make assembly easier, and will help to eliminate damage to the product or injury to persons during assembly.
2. Be sure to check all packing materials carefully for small parts that may have come loose inside the carton during shipment.
3. Please do not over tighten screws or bolts.
4. Please put all parts on a non-abrasive floor before assembly, and follow the assembly steps to assemble your newly purchased product correctly and efficiently.

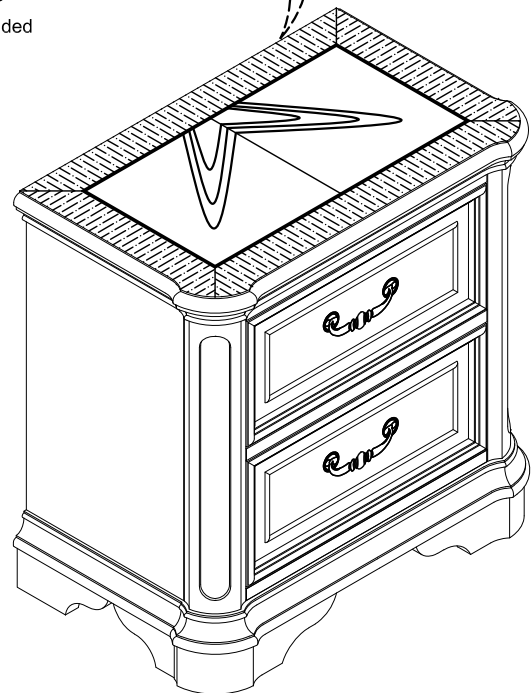
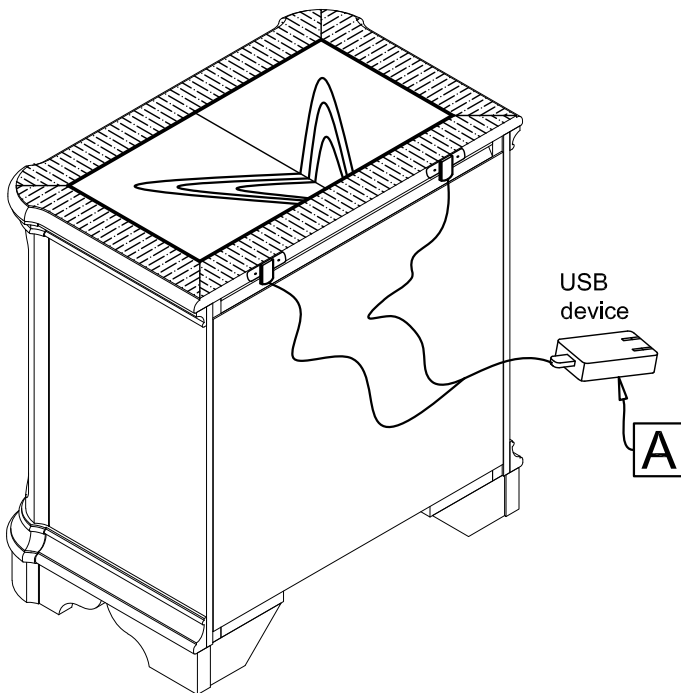
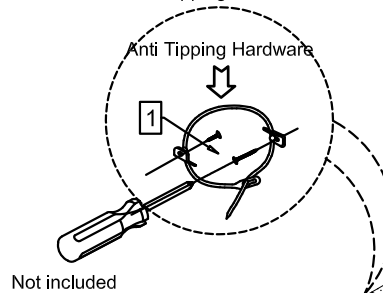
- Do not allow children to climb on furniture.
- Do not place television sets on top of chests, door chests and/or dressers.
- Please place heaviest objects in the lowest drawers.
- Please have no more than one drawer open at a time.

NO.:	PARTS LIST		
A		USB Adapter	1 piece

**Remark:** There is a tip restraint kit provided on the back of this product. Please read the directions thoroughly and install immediately when placed in home.

NO.:	HARDWARE LIST (738/738/8738-150)		Q'TY
1		TIPPING RESTRAINT KIT	1 set

AntiTipping Restraint



**Notice:** there is a USB device at the back side of the case, please connect the adapter to the USB cable then plug it into the electric outlet before using.

Assembly completed