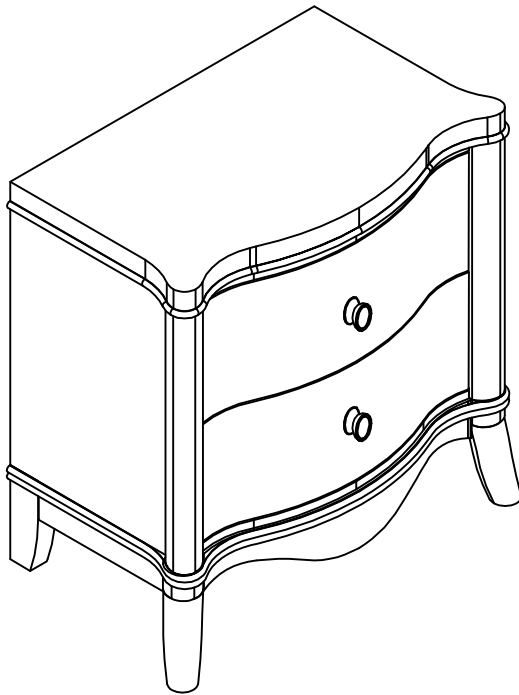


Thank you for purchasing this quality product. Be sure to check all packing material carefully for small parts that may have come loose inside the carton during shipment.



TOOLS REQUIRED (NOT PROVIDED)

PHILLIPS SCREWDRIVER



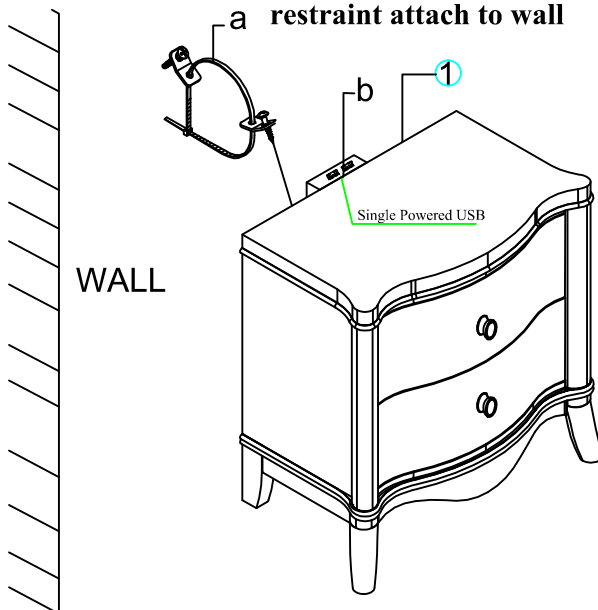
PART LIST:

No.	Sketch	Description	Quantity
1		NIGHTSTAND	1PC

HARDWARE LIST:

No.	Sketch	Description	Quantity
a		TIPPING RESTRAINT	1SET
b		USB	1PC

Move the Nightstand into final position and use tipping restraint attach to wall



Completed

WALL

