

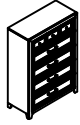



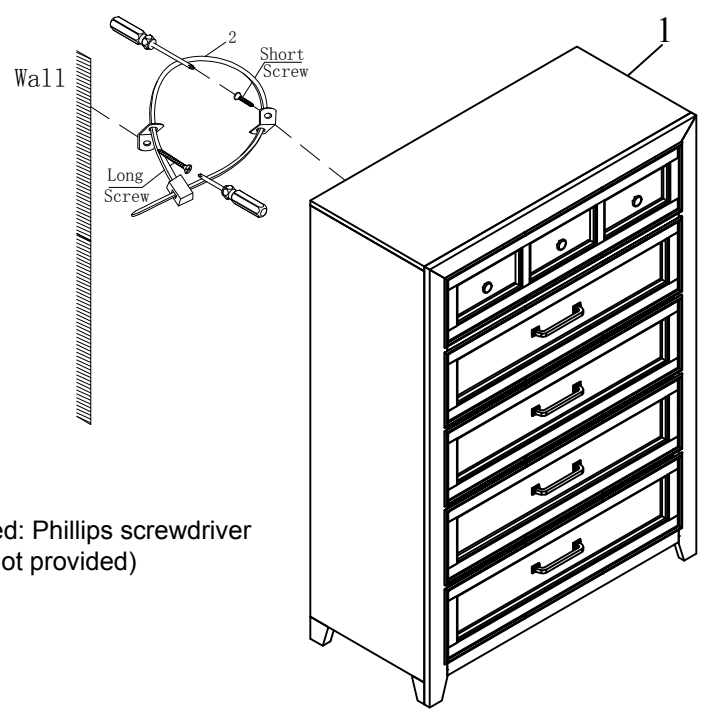
# Assembly Instructions

0613-6 CHEST SKU#32606139

Manufactured BY FRNR for Rooms To Go

## PARTS LIST

1. Chest - 1 Pc	
2. Anti-tip Restraint - 1 Pc	



Tool Required: Phillips screwdriver  
(not provided)

HARDWARE PACK LOCATION(S):

FRNR 0613-6 CHEST SKU#32606139