



# Assembly Instructions

RETG 1420-10 5 DRAWER CHEST - SKU# 32614201

Manufactured by RETG for Rooms To Go


Version#1 - 16/04/2024

**\*\*\* Caution : Please read all instructions carefully before starting the assembly process. These parts are cumbersome and heavy. Therefore, two people are recommended in order to prevent personal injury and insure the parts are not damaged during the assemble.**

### PARTS LIST

No.	Description	Sketch	Q'ty
1	5 Drawer Chest		1 Pc

### ANTI TIPPING KIT LIST

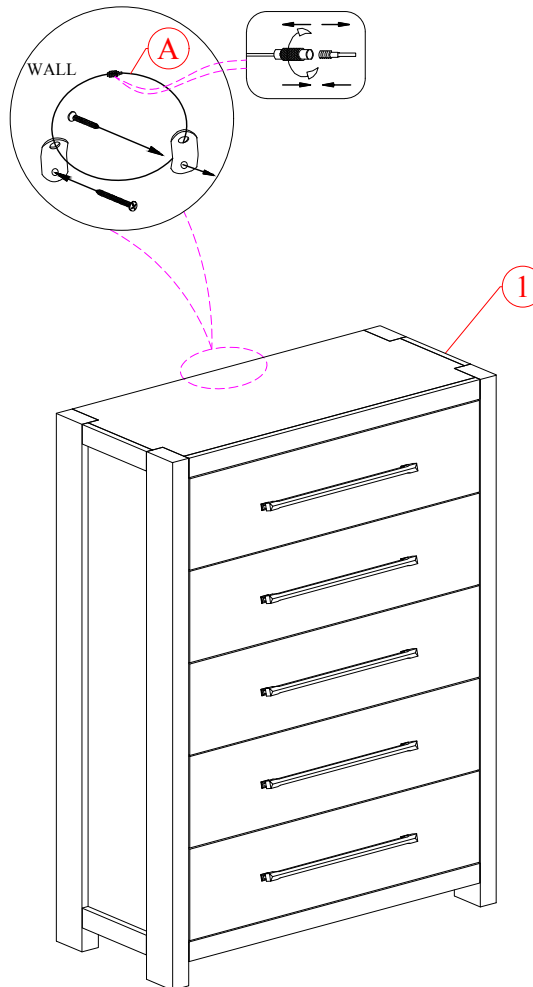
No.	Description	Zize	Sketch	Q'ty
A	Tipping Restraint			1 Set

### TOOLS REQUIRED (NOT PROVIDED)

Description	Sketch
Phillips screwdriver	

**STEP 1:** Position Drawer Chest in its desired location. Refer to the assembly instructions of Anti tipping kits to fix Drawer Chest to the wall.

Remark:  
Anti-tip hardware - customer assembly required



### Hardware Pack Location (s):

RETG 1420-10 5 DRAWER CHEST - SKU# 32614201