



PNWD

Assembly Instructions

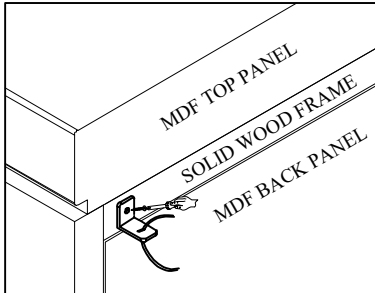
1733-CN

CHEST

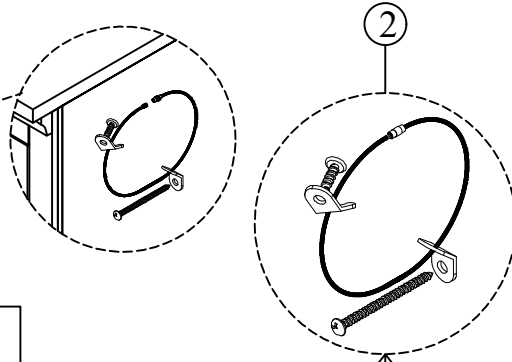
SKU# 32617346

Manufactured for
Rooms To Go

* Remarks: Tipping Restraint kit provided must be install to solid woodback frame only. Do not install to mdf top panel or MDF back panel.



Tool Required: Philip screwdriver
(not provided)



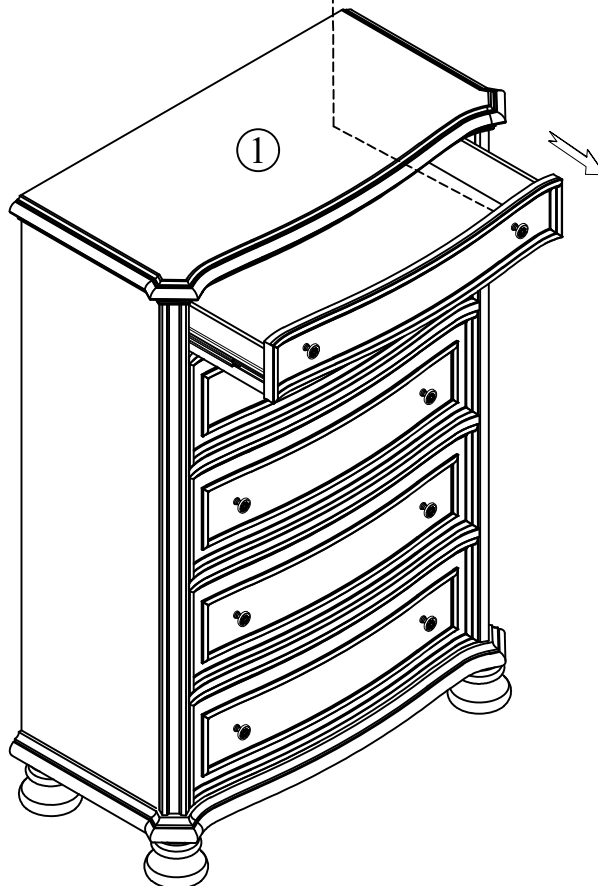
PARTS LIST



1. Chest - 1 Pc



2. Anti-tip Restraint - 1 Pc



HARDWARE PACK LOCATION(S):

PNWD

1733-CN

CHEST

SKU# 32617346