

Assembly instructions for

333/334-130 Chest


RIEE: 32623337 / 32623349

PAGE 1 OF 1

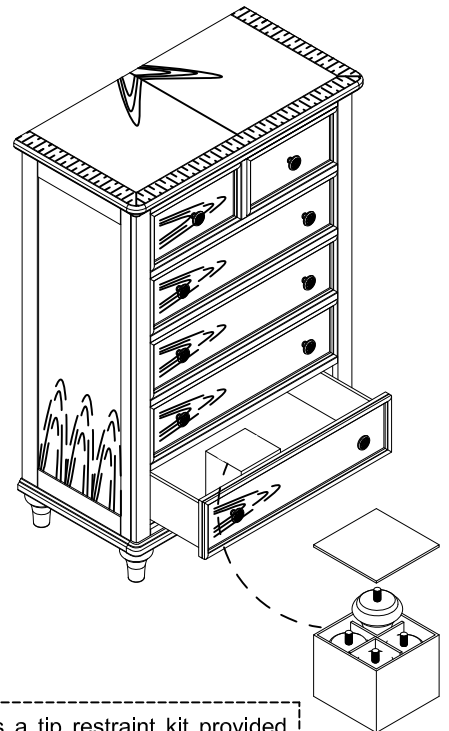
Caution: Please read instructions thoroughly before unpacking assembly parts. Sharp, exposed staple tips can cause injury, therefore, for your protection, please remove any exposed staples used in packing.

1. We recommend that you should assemble this product with the assistance of another person; this will make assembly easier, and will help to eliminate damage to the product or injury to persons during assembly.
2. Be sure to check all packing materials carefully for small parts that may have come loose inside the carton during shipment.
3. Please do not over tighten screws or bolts.
4. Please put all parts on a non-abrasive floor before assembly, and follow the assembly steps to assemble your newly purchased product correctly and efficiently.

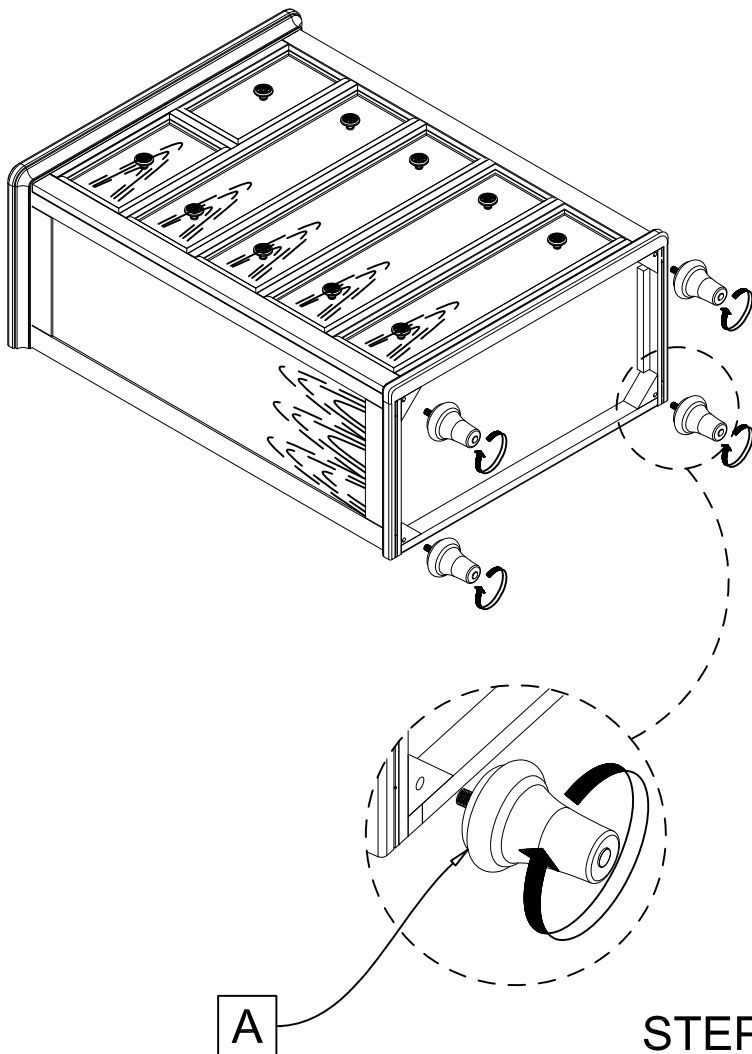
- Do not allow children to climb on furniture.
- Do not place television sets on top of chests, door chests and/or dressers.
- Please place heaviest objects in the lowest drawers.
- Please have no more than one drawer open at a time.

NO.	PARTS LIST (333/334-130)		Q'TY
A		BUN FEET	4 pieces

NO.	HARDWARE LIST (333/334-130)		Q'TY
1		TIPPING RESTRAINT KIT	1 Set

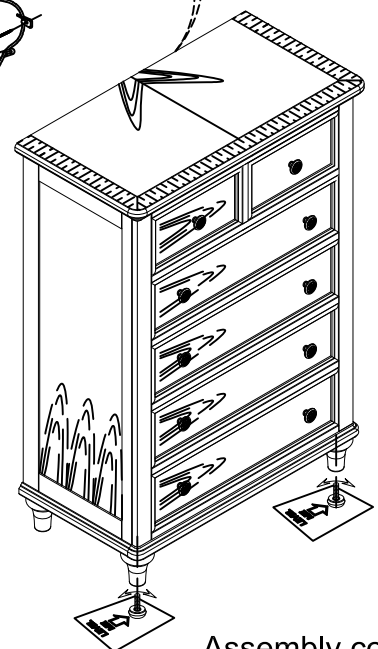
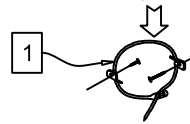


STEP 1



★ Remark : there is a tip restraint kit provided on the back of this product. Please read the directions thoroughly and install immediately when placed in home.

Anti Tipping Hardware



STEP 2

Assembly completed