



Assembly Instruction

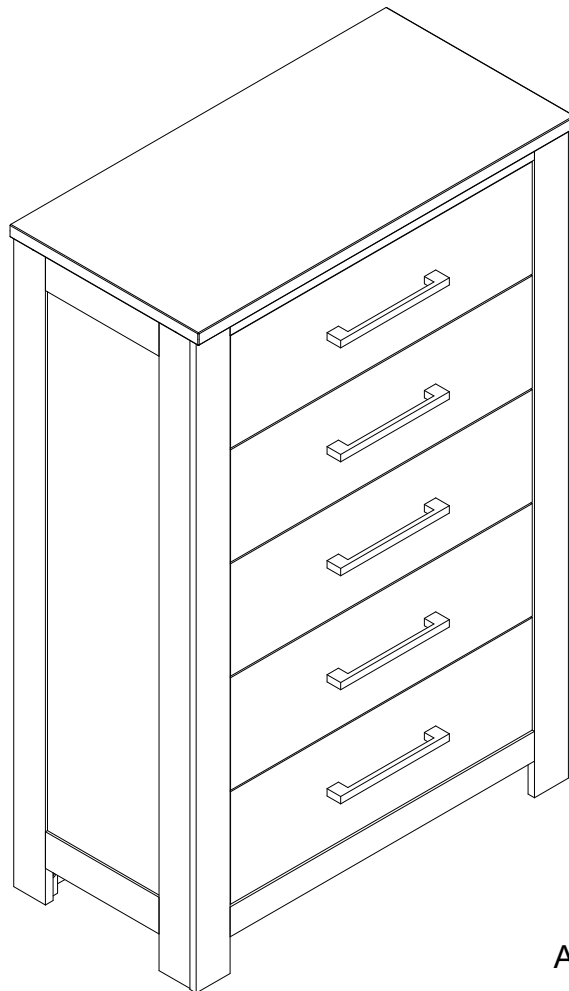
PDIL 2547-6 CHEST
2557-6 CHEST

SKU#32625470
SKU#32625571

WARNING: To avoid alignment issue, please don't tighten the screws unless all leg are adjusted at the same level.

HARDWARE LIST		QTY
A	Furniture tipping restraint	1 set
TOOL REQUIRED (NOT PROVIDED): PHILLIPS SCREWDRIVER		

PART LIST		QTY
1	CHEST	1 pc
		



ASSEMBLY COMPLETED

Hardware pack Location(s):

PDIL 2547-6 CHEST
2557-6 CHEST

SKU#32625470
SKU#32625571

MADE IN VIETNAM

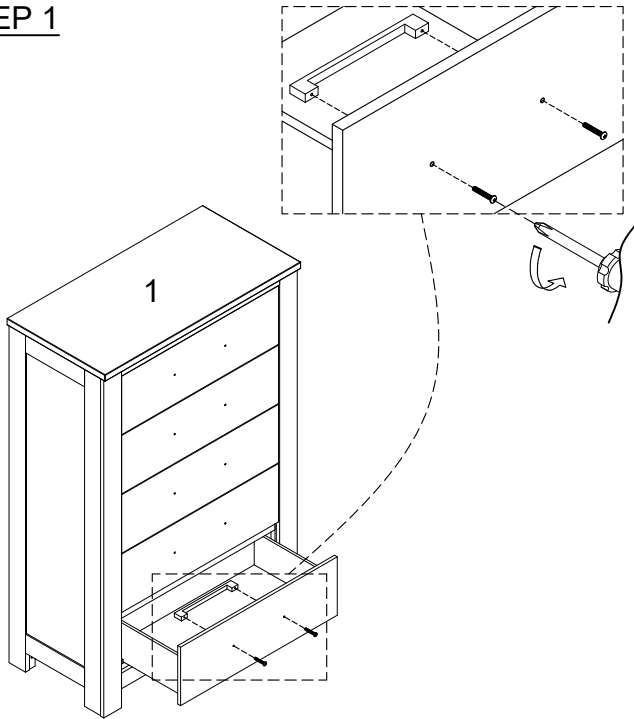
Assembly Instruction

PDIL 2547-6 CHEST
2557-6 CHEST

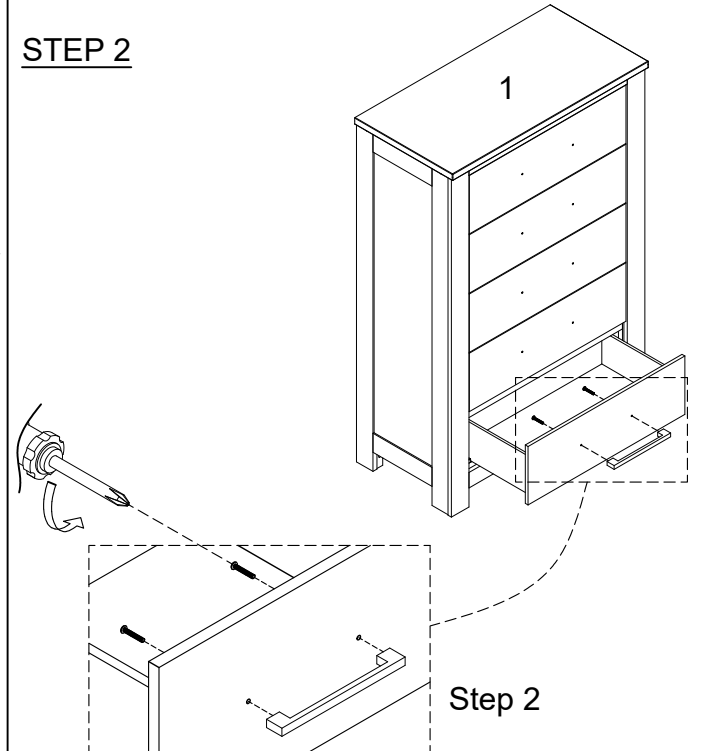
SKU#32625470
SKU#32625571

***Caution: Please read all instructions carefully before starting the assembly process. These parts are cumbersome and heavy. Therefore, two people are recommended in order to prevent personal injury and ensure the parts are not damaged during the assembly.

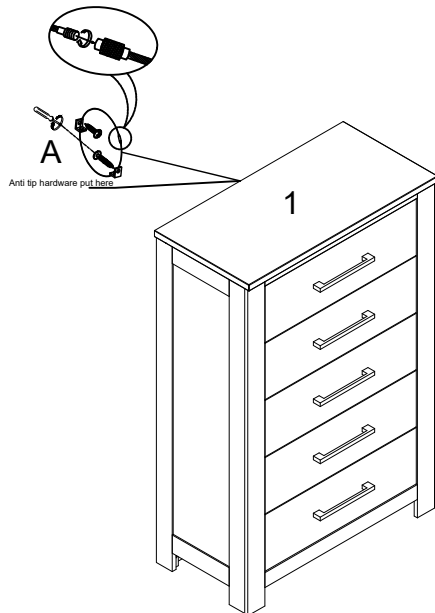
STEP 1



STEP 2



STEP 3



★ Remark:
Anti-tip hardware must be installed by customer.
Anti-tipping hardware attached to the back panel.

Hardware pack Location(s):

PDIL 2547-6 CHEST
2557-6 CHEST

SKU#32625470
SKU#32625571

MADE IN VIETNAM