







Part list

NO.	SKETCH	DESCRIPTION	Q'TY
A		Drawer Dresser	1 pc
B		Legs	4 pcs
C		Center support	1 pc

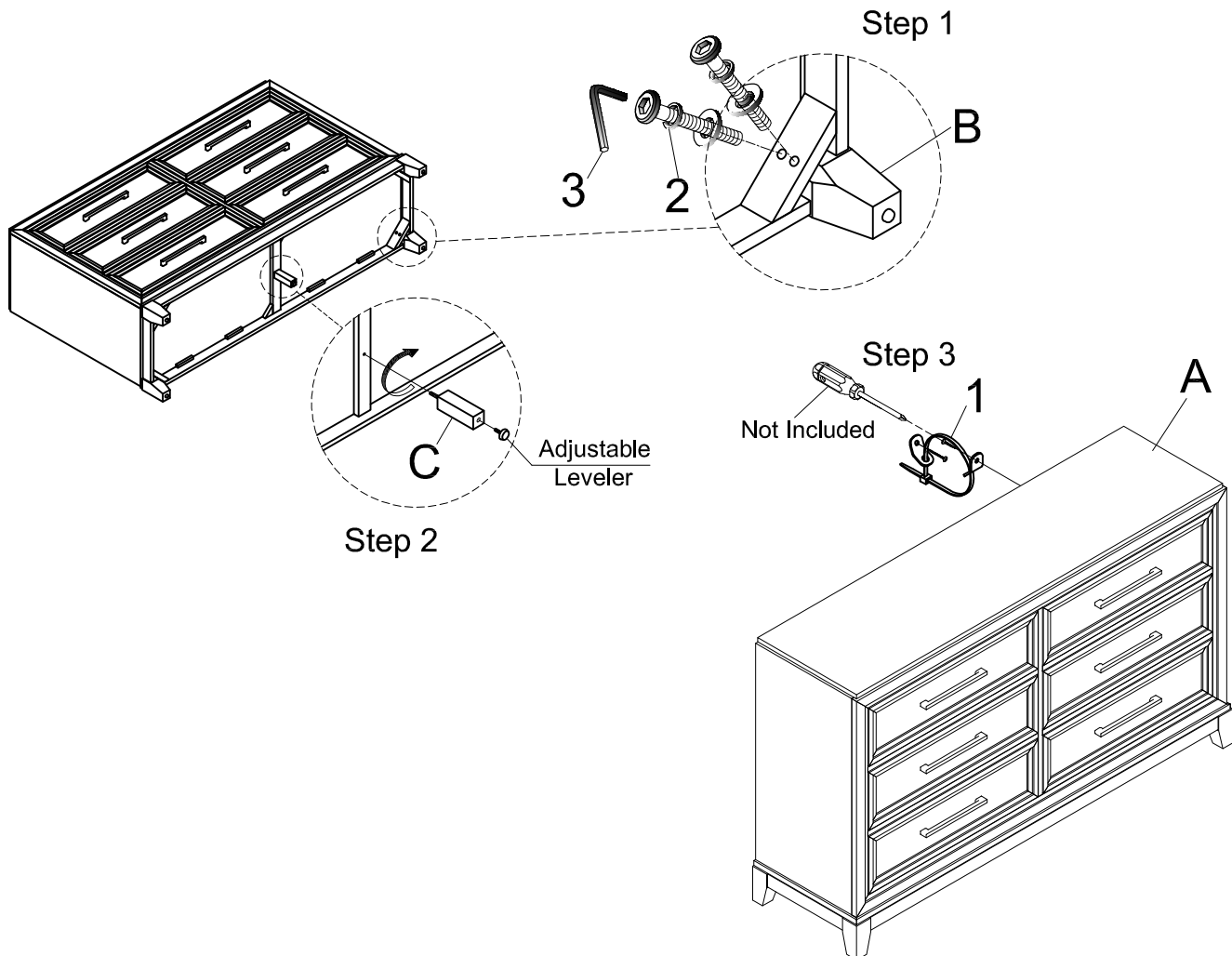
Hardware list

NO.	SKETCH	DESCRIPTION	Q'TY
1		Furniture tipping restraint	1 set
2		1/4"x16x2" Connecting Bolt w/Washer & Spring Washer	8 set
3		4mm Allen wrench	1 pc

Step 1: Assemble legs to the Dresser



Step 2: Assemble the center support to the Dresser

Step 3: Add tipping restraint one side is attached to the Dresser, the other side is attached to the wall






**Cleaning Instruction:** Clean finished parts with a mild dishwashing liquid and water solution on a damp cloth. Polish the finish with soft cloth and an industry recognized furniture polish.

Part list

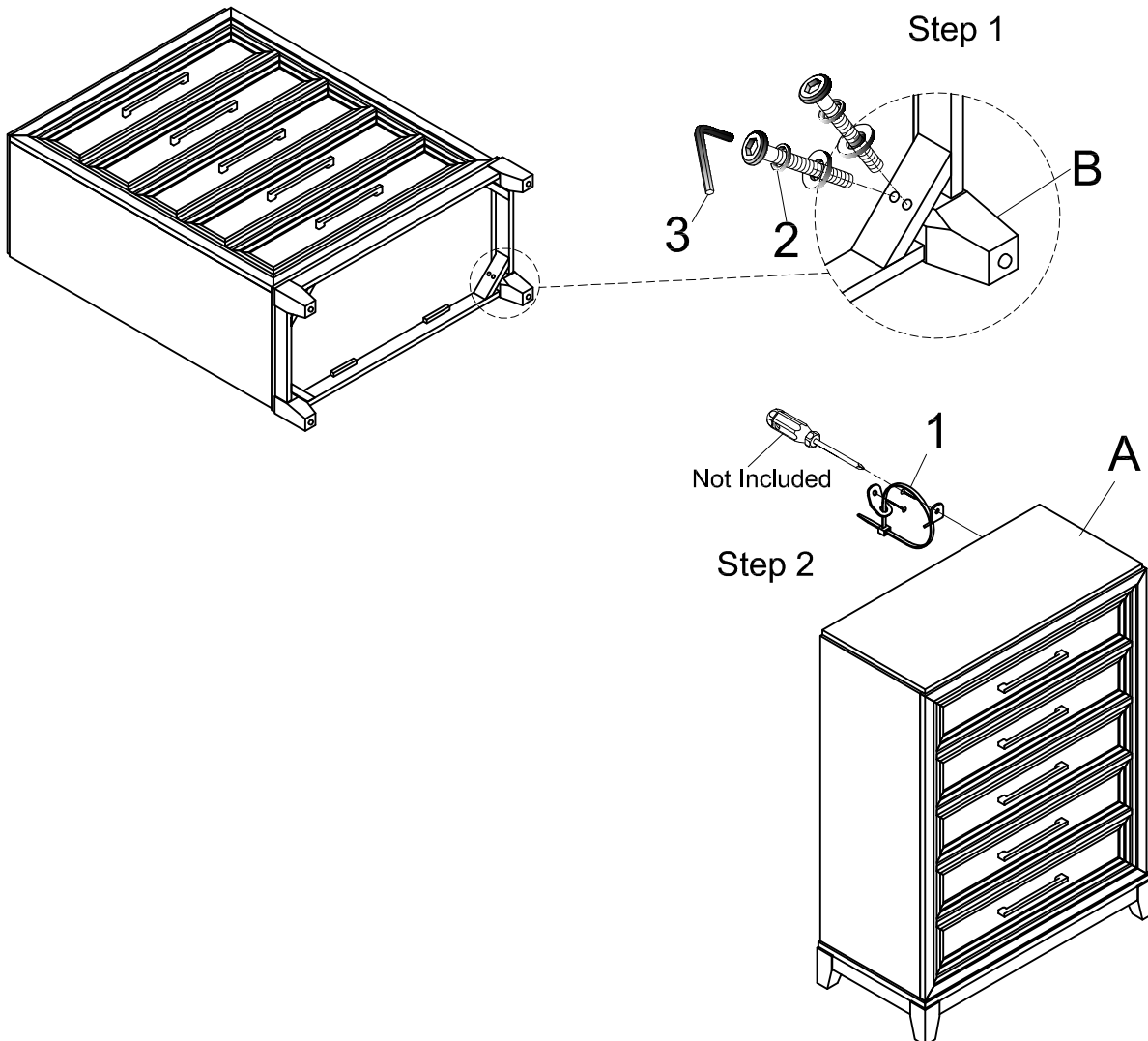
NO.	SKETCH	DESCRIPTION	Q'TY
A		Chest	1 pc
B		Legs	4 pcs

Hardware list

NO.	SKETCH	DESCRIPTION	Q'TY
1		Furniture tipping restraint	1 set
2		1/4"x16x2" Connecting Bolt w/Washer & Spring Washer	8 set
3		4mm Allen wrench	1 pc



Step 1: Assemble legs to the Chest

Step 2: Add tipping restraint one side is attached to the Chest, the other side is attached to the wall






**Cleaning Instruction:** Clean finished parts with a mild dishwashing liquid and water solution on a damp cloth. Polish the finish with soft cloth and an industry recognized furniture polish.

Part list

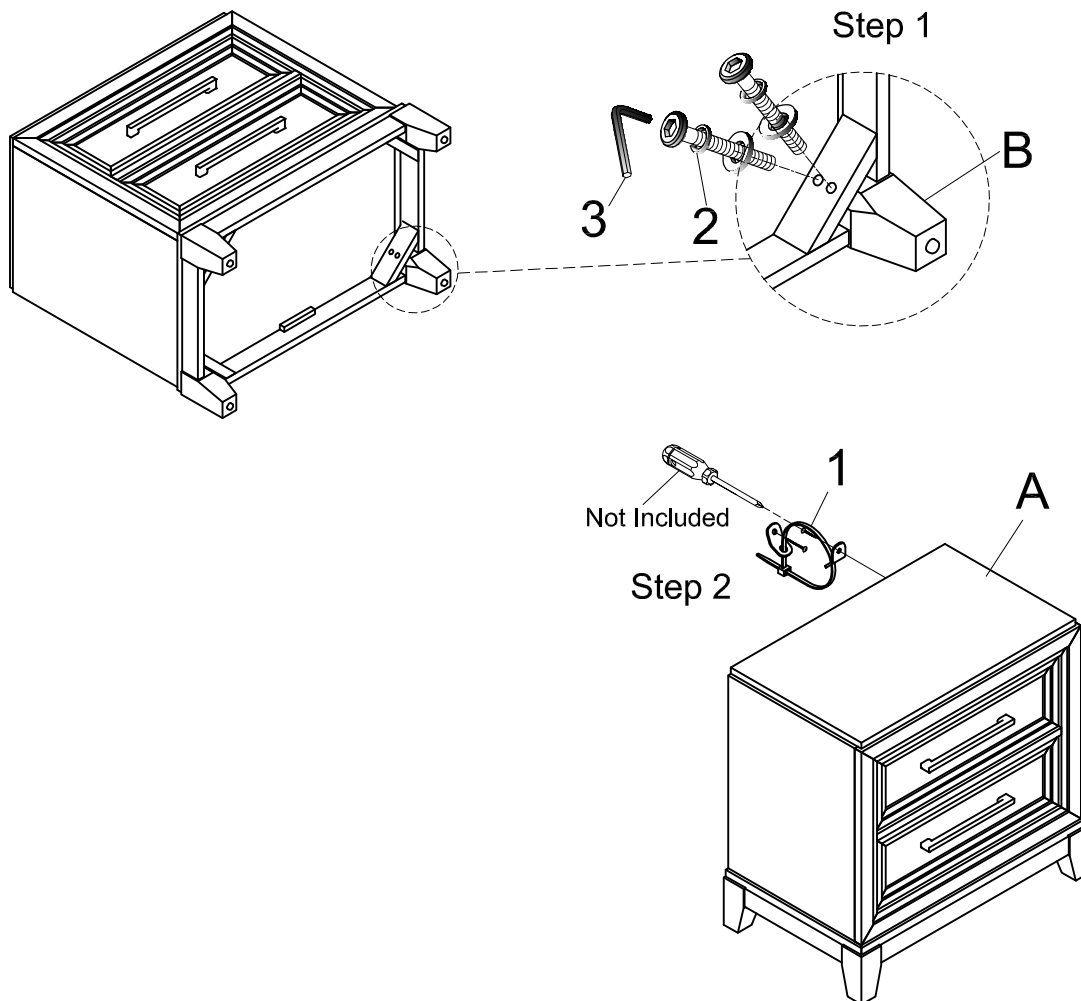
NO.	SKETCH	DESCRIPTION	Q'TY
A		Night Stand	1 pc
B		Legs	4 pcs

Hardware list

NO.	SKETCH	DESCRIPTION	Q'TY
1		Furniture tipping restraint	1 set
2		1/4"x16x2" Connecting Bolt w/Washer & Spring Washer	8 set
3		4mm Allen wrench	1 pc



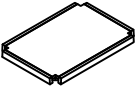
Step 1: Assemble legs to the Night Stand

Step 2: Add tipping restraint one side is attached to the Night Stand, the other side is attached to the wall






**Cleaning Instruction:** Clean finished parts with a mild dishwashing liquid and water solution on a damp cloth. Polish the finish with soft cloth and an industry recognized furniture polish.

Part list

NO.	SKETCH	DESCRIPTION	Q'TY
A		Night Stand	1 pc
B		Legs	4 pcs
C		Bottom shelf	1 pc

Hardware list

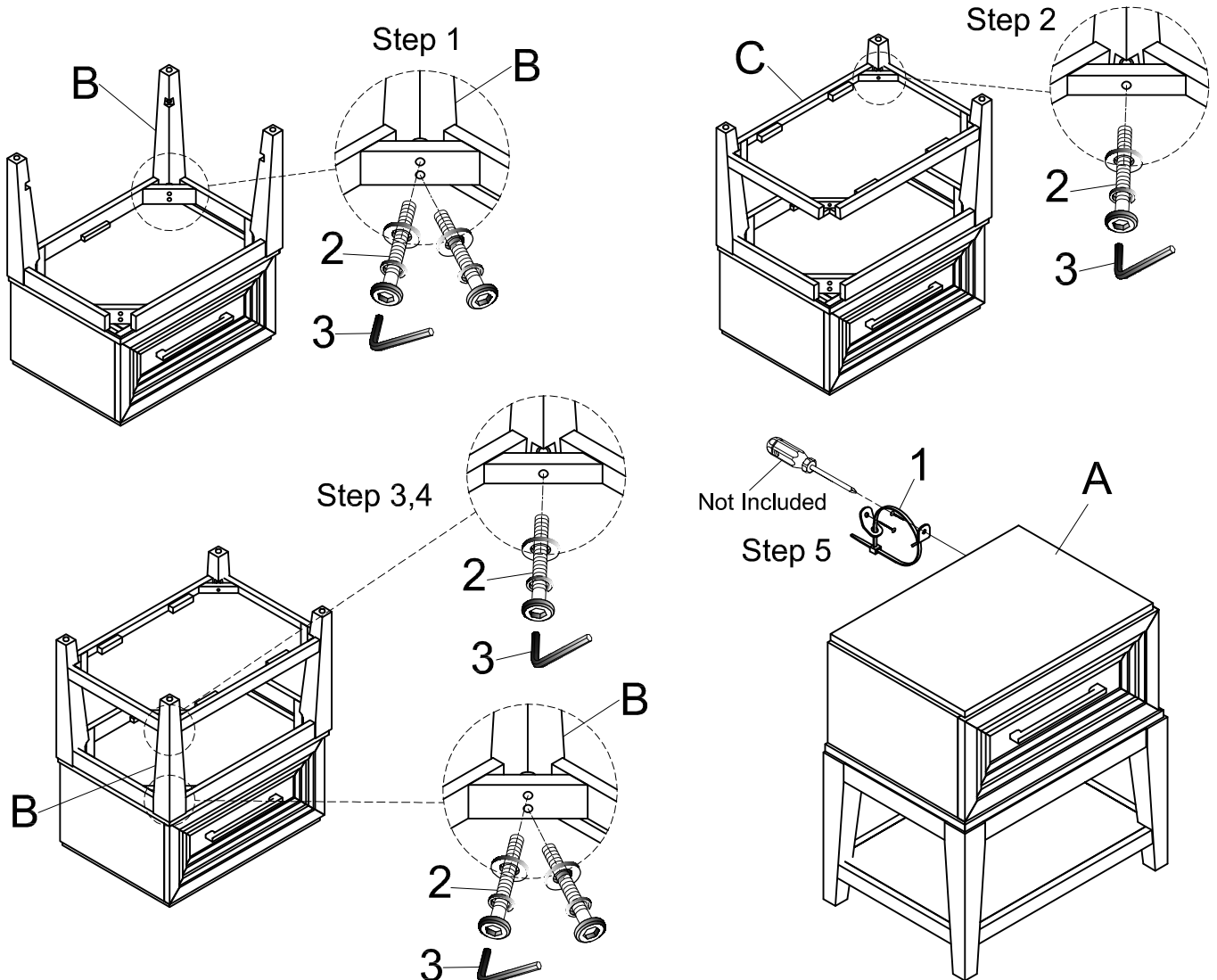
NO.	SKETCH	DESCRIPTION	Q'TY
1		Furniture tipping restraint	1 set
2		1/4"x16x2" Connecting Bolt w/Washer & Spring Washer	12 set
3		4mm Allen wrench	1 pc

Step 1: Assemble 3 legs to the Night Stand

Step 2: Assemble bottom shelf




Step 3,4: Assemble the other leg

Step 5: Add tipping restraint one side is attached to the Night Stand, the other side is attached to the wall





**Cleaning Instruction:** Clean finished parts with a mild dishwashing liquid and water solution on a damp cloth. Polish the finish with soft cloth and an industry recognized furniture polish.


Part list

NO.	SKETCH	DESCRIPTION	Q'TY
A		Drawer Dresser	1 pc
B		Mirror	1 pc
C		Mirror support	2 pcs

Hardware list (Enclosed in Mirror)

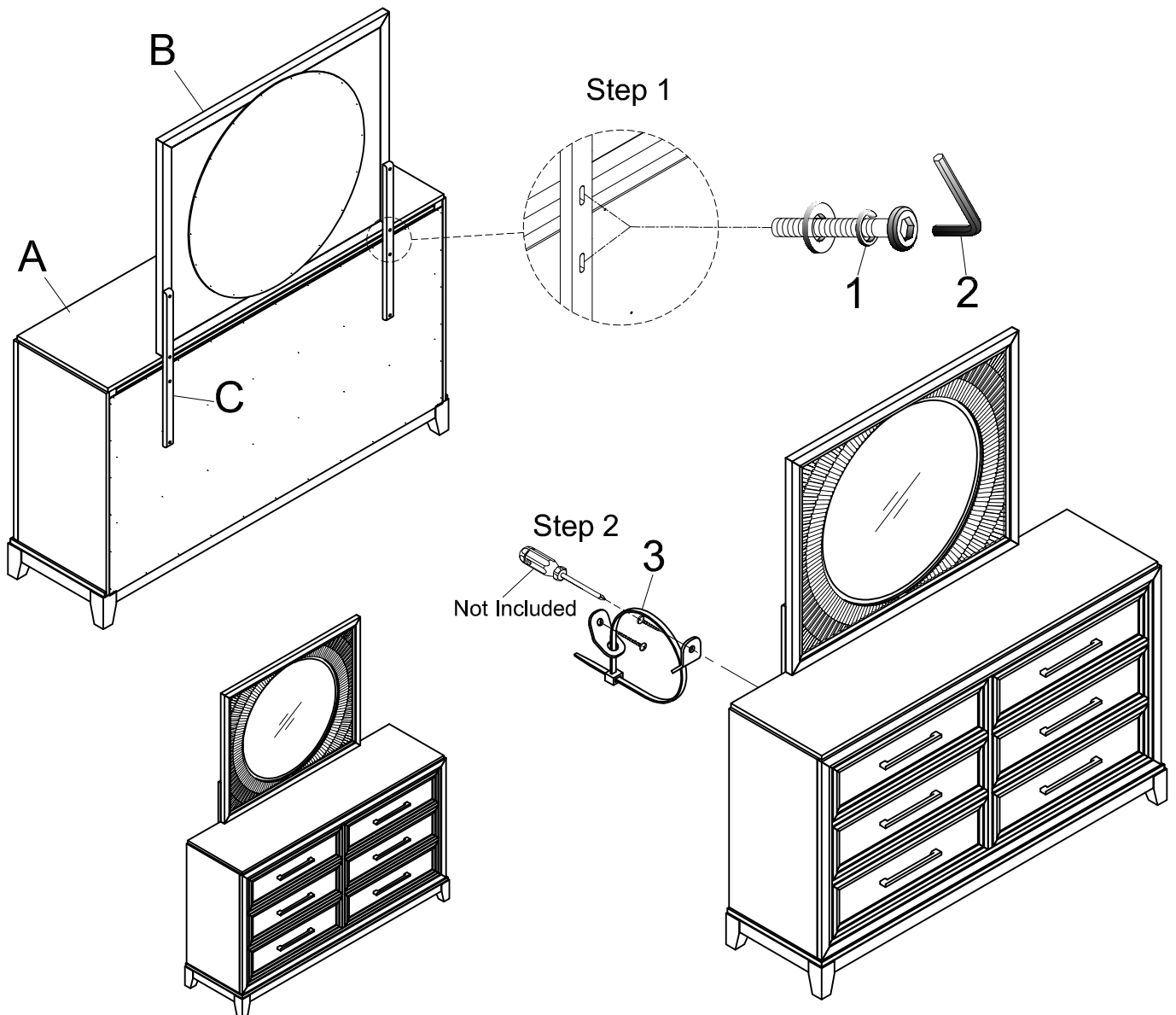
NO.	SKETCH	DESCRIPTION	Q'TY
1		1/4"x16x1-1/2" Connecting Bolt w/Washer & Spring Washer	8 set
2		4mm Allen wrench	1 pc

Hardware list (Enclosed in Dresser)

NO.	SKETCH	DESCRIPTION	Q'TY
3		Furniture tipping restraint	1 set



Step 1: Assemble bolt to link Mirror and Dresser

Step 2: Add tipping restraint one side is attached to the Dresser, the other side is attached to the wall






**Cleaning Instruction:** Clean finished parts with a mild dishwashing liquid and water solution on a damp cloth. Polish the finish with soft cloth and an industry recognized furniture polish.

Part list

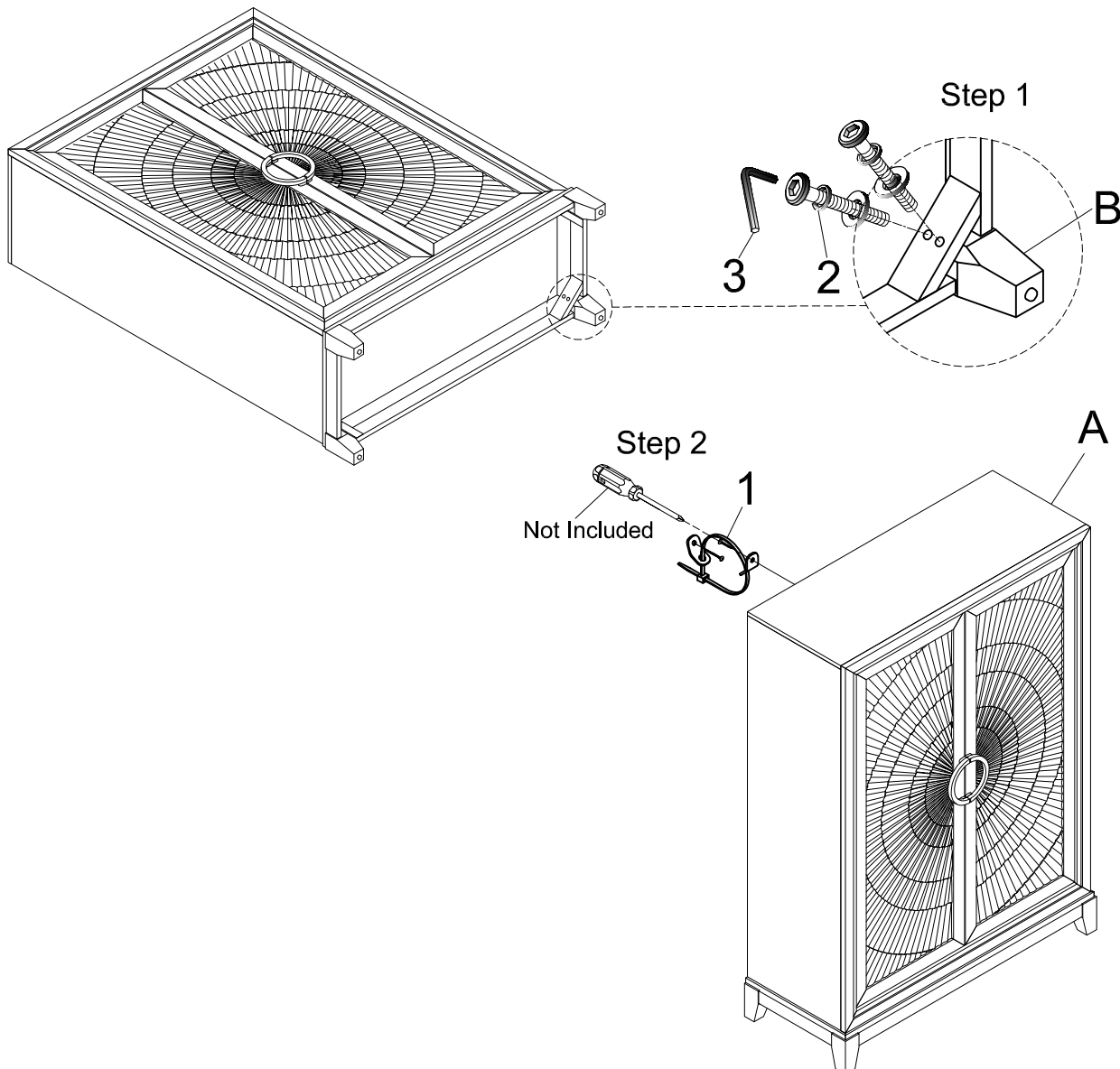
NO.	SKETCH	DESCRIPTION	Q'TY
A		Armoire	1 pc
B		Legs	4 pcs

Hardware list

NO.	SKETCH	DESCRIPTION	Q'TY
1		Furniture tipping restraint	1 set
2		1/4"x16x2" Connecting Bolt w/Washer & Spring Washer	8 set
3		4mm Allen wrench	1 pc

Step 1: Assemble legs to the Armoire

Step 2: Add tipping restraint one side is attached to the Armoire, the other side is attached to the wall



**Cleaning Instruction:** Clean finished parts with a mild dishwashing liquid and water solution on a damp cloth. Polish the finish with soft cloth and an industry recognized furniture polish.

# Assembly Instruction

HOUS 2717-21H QN Panel Headboard SKU# 32327175

HOUS 2717-22H KG Panel Headboard SKU# 32427177

**Part list**

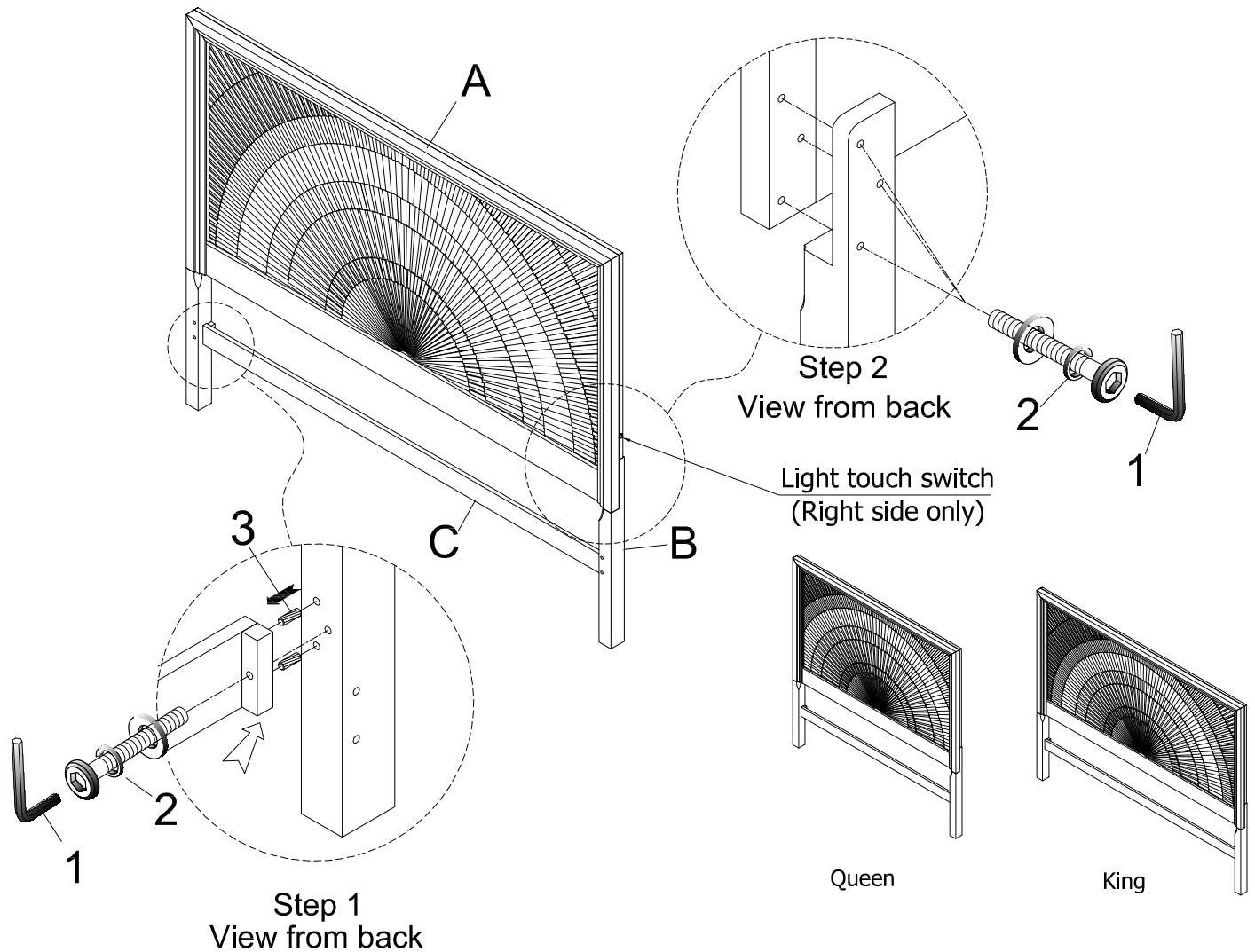
NO.	SKETCH	DESCRIPTION	Q'TY
A		Headboard panel	1 pc
B		Headboard Post (L/R)	2 pcs
C		Stretcher	1 pc

**Hardware list**

NO.	SKETCH	DESCRIPTION		Q'TY
1		4 mm	Allen key	1 pc
2		5/16"x19x1-3/4"	Connecting Bolt w/Washer & Spring Washer	8 set
3		Ø8x30mm	Wood dowel	4 pcs

Step 1: Assemble the stretcher (C) to the headboard post(B) with wood dowel(3) and bolts(2)

Step 2: Assemble the headboard post (B) to the headboard panel (A) with bolts(2)






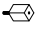


**Cleaning Instruction:** Clean finished parts with a mild dishwashing liquid and water solution on a damp cloth. Polish the finish with soft cloth and an industry recognized furniture polish.

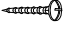
# Assembly Instruction

HOUS 2717-21H	QN Panel Headboard	SKU# 32327175
HOUS 2717-21F	QN Panel Footboard w/slats	SKU# 32727173
HOUS 2717-21R	QN 5/0-KG 6/6 Rails	SKU# 32927177
HOUS 2717-22H	KG Panel Headboard	SKU# 32427177
HOUS 2717-22F	KG Panel Footboard w/slats	SKU# 32827175

Part list

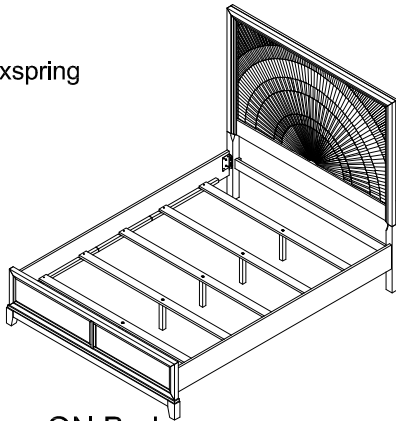
NO.	SKETCH	DESCRIPTION	Q'TY
A		Headboard	1 pc
B		QN 5/0-KG 6/6 Rails	2 pcs
C		Panel Footboard	1 pc
D		QN	5 pcs
		KG	
E		QN	5 pcs
		KG	10 pcs
F		QN	5 pcs
		KG	10 pcs

Hardware list

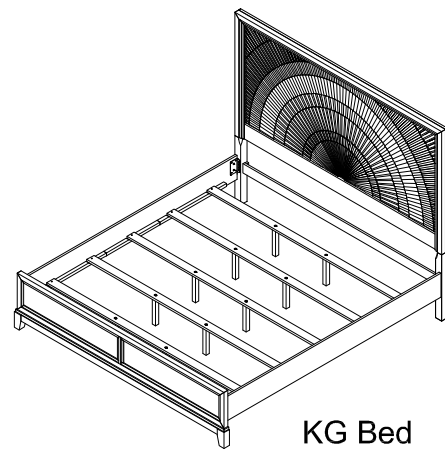
NO.	SKETCH	DESCRIPTION	Q'TY
1		Screw #8x1-1/4"	10 pcs

OPTION 1

Mattress & boxspring



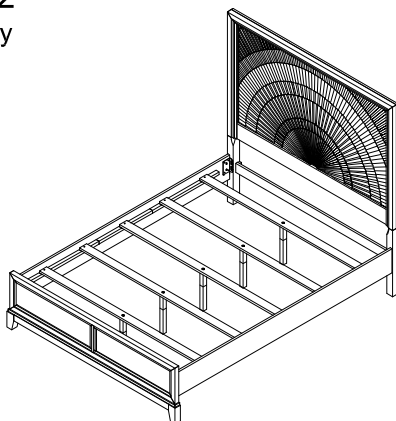
QN Bed



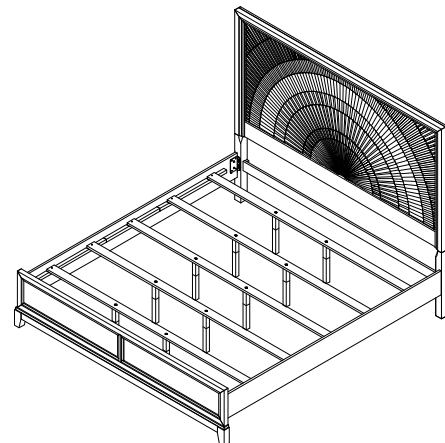
KG Bed

OPTION 2

Mattress only



QN Bed



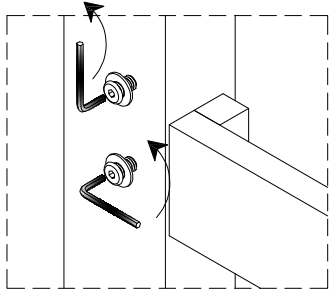
KG Bed

**Cleaning Instruction:** Clean finished parts with a mild dishwashing liquid and water solution on a damp cloth. Polish the finish with soft cloth and an industry recognized furniture polish.

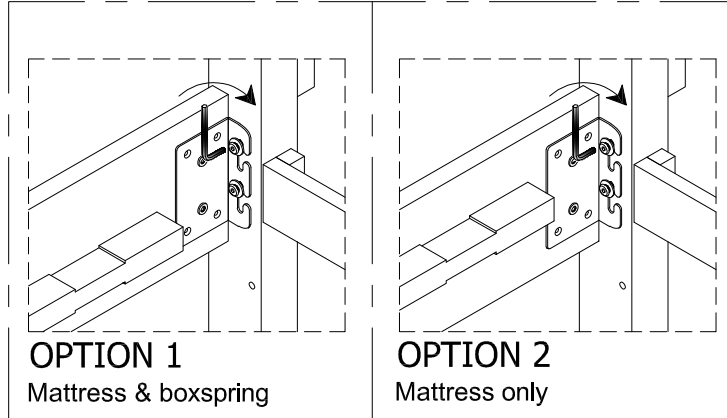


# Assembly Instruction

HOUS 2717-21H	QN Panel Headboard	SKU# 32327175
HOUS 2717-21F	QN Panel Footboard w/slats	SKU# 32727173
HOUS 2717-21R	QN 5/0-KG 6/6 Rails	SKU# 32927177
HOUS 2717-22H	KG Panel Headboard	SKU# 32427177
HOUS 2717-22F	KG Panel Footboard w/slats	SKU# 32827175



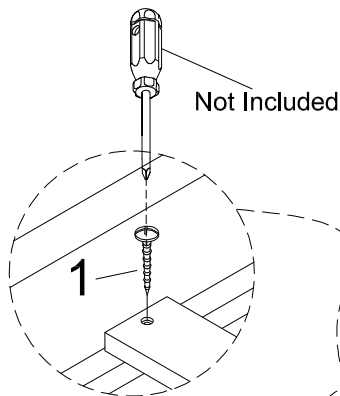
Loose all the bolts



**OPTION 1**  
Mattress & boxspring

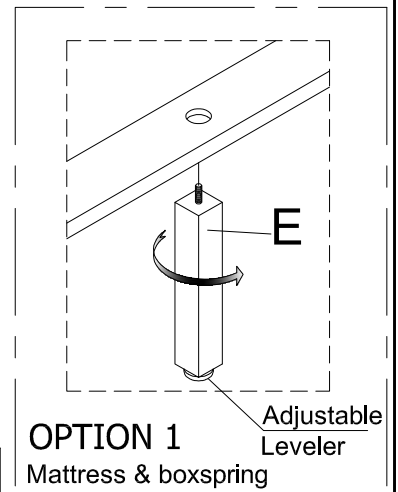
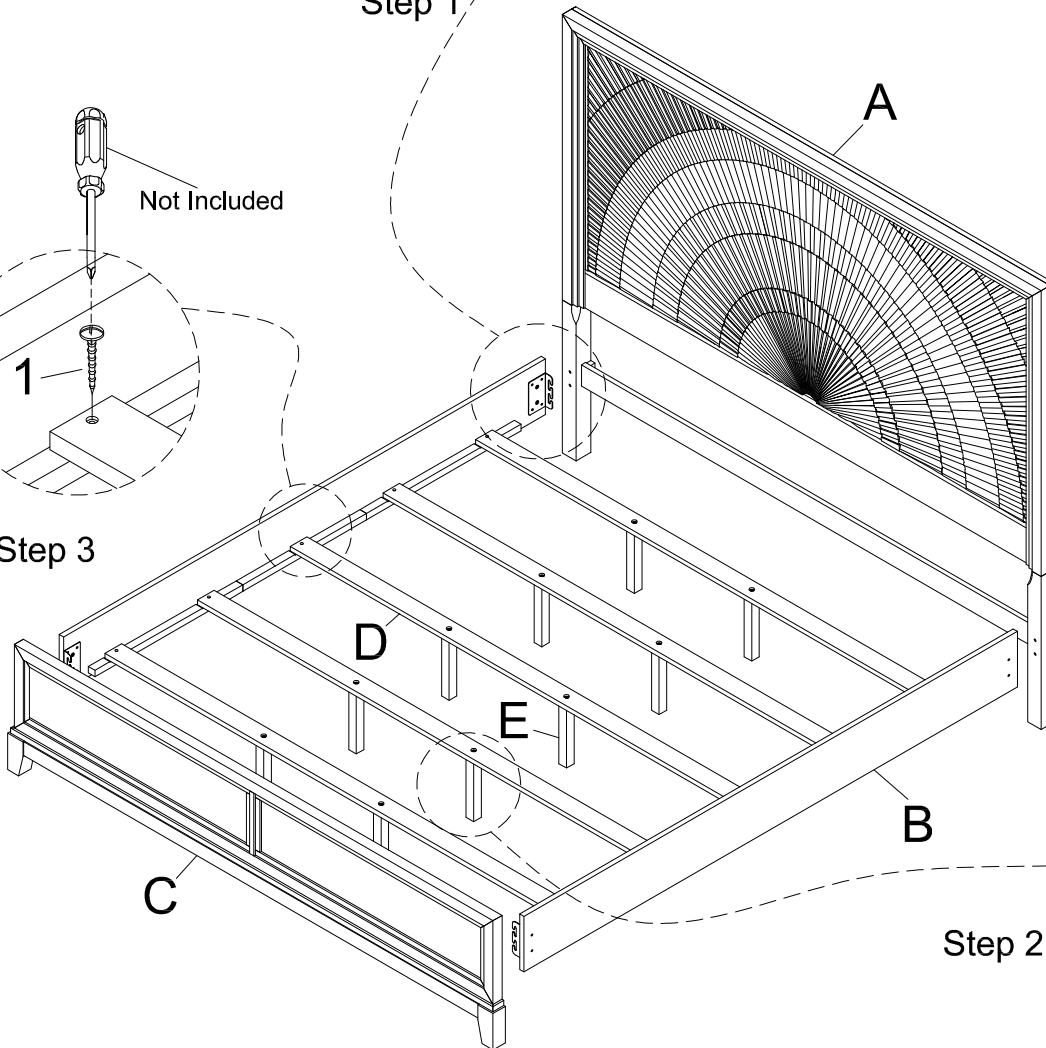
**OPTION 2**  
Mattress only

Step 1



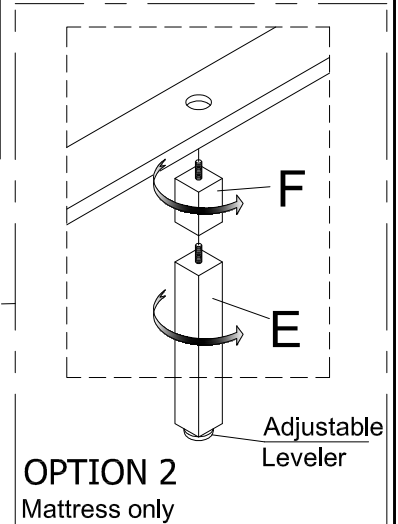
Not Included

Step 3



**OPTION 1**  
Mattress & boxspring

Adjustable Leveler



**OPTION 2**  
Mattress only

Adjustable Leveler

Step 2

**Cleaning Instruction:** Clean finished parts with a mild dishwashing liquid and water solution on a damp cloth. Polish the finish with soft cloth and an industry recognized furniture polish.