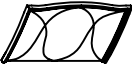
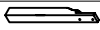


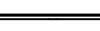

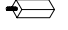





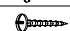

# 111-8/9/CKR Cal King Platform Bed

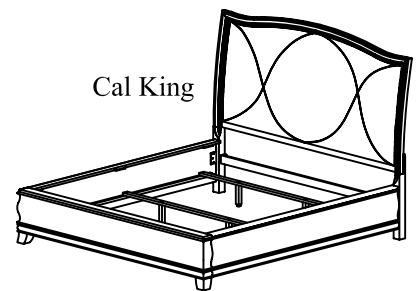
## Assembly Instructions

Thank you for purchasing this quality product. Be sure to check all packing materials carefully for small parts which may have come loose inside the carton during shipment. Identify and count all parts and compare with the parts list below.

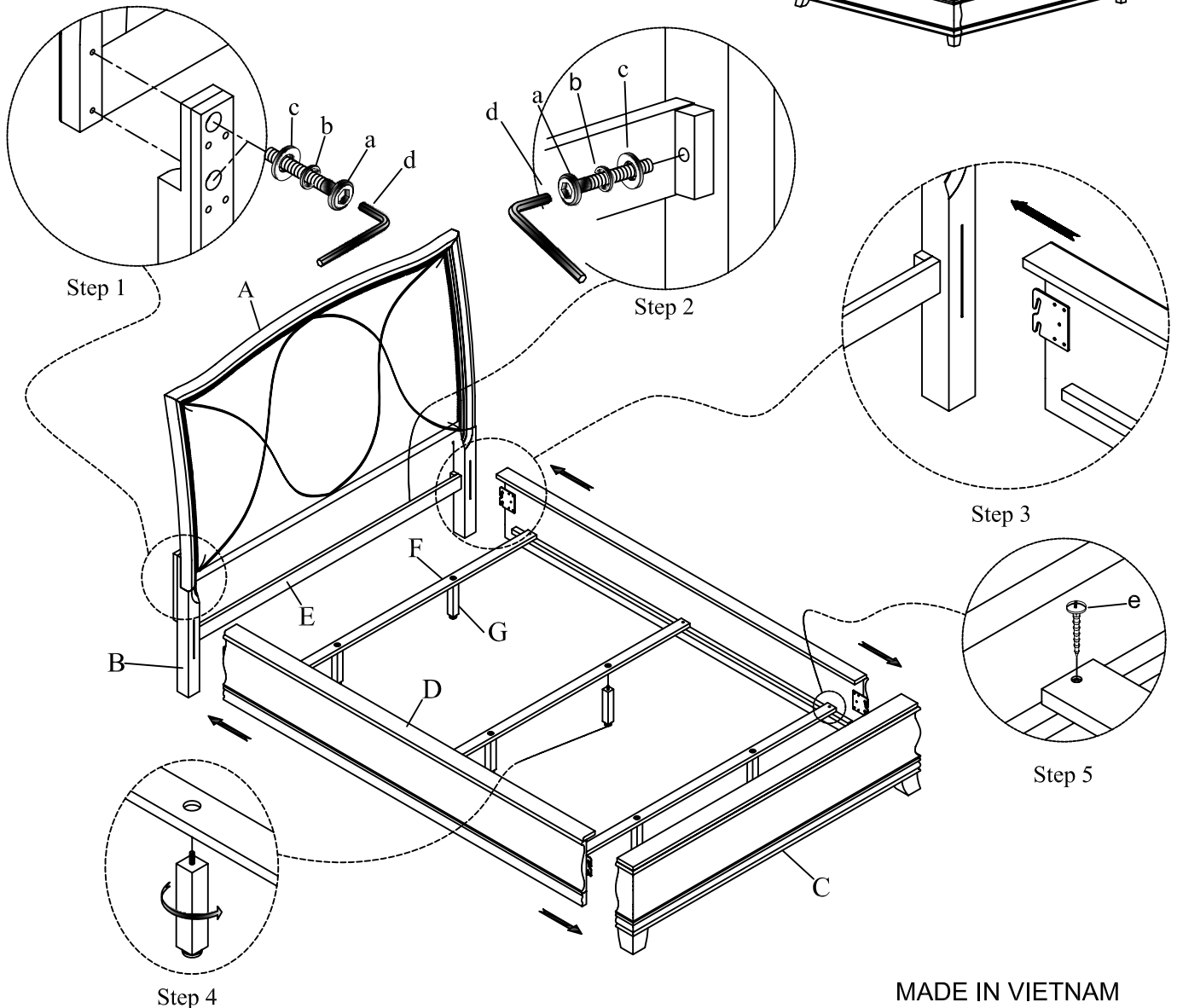
**\*\*Assemble the product on a flat, soft surface such as a carpet or cloth to prevent scratching the finish. Read all instruction and study the drawings carefully before starting the assembly process.**

NO.	SKETCH	DESCRIPTION	Q'TY
A		Headboard	1 pc
B		Headboard legs	2 pcs
C		Footboard	1 pc
D		Side Rails	2 pcs
E		Stretcher	1 pc
F		Slats	3 pcs
G		Support legs	6 pcs

NO.	SKETCH	HARDWARE	Q'TY
a		Φ5/16"x18x1-3/4"	6 pcs
b		Φ5/16"	6 pcs
c		Φ5/16"x19mm	6 pcs
d		4mm	1 pc
e		Φ8x1"	6 pcs



Cal King



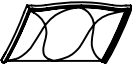
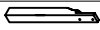


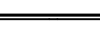
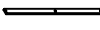
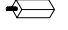
MADE IN VIETNAM




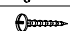

# 111-6/7/R-8/9/R Queen/King Platform Bed

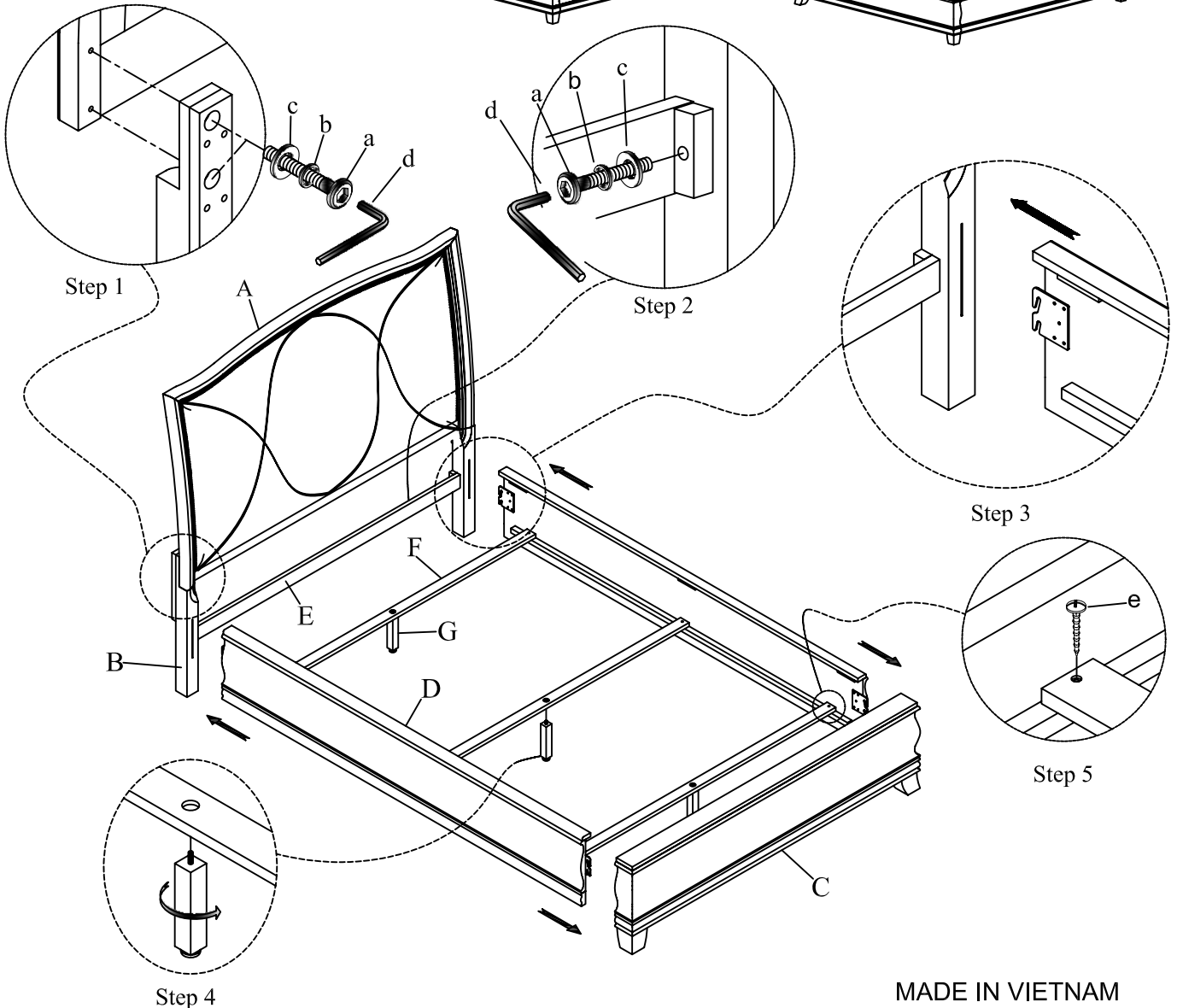
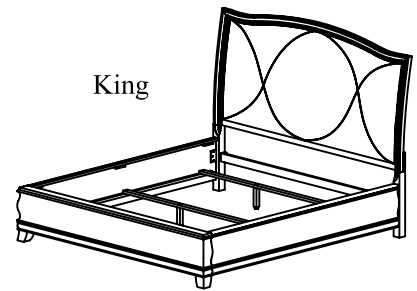
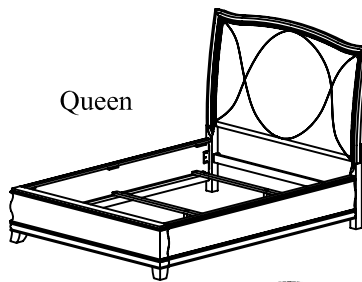
## Assembly Instructions

Thank you for purchasing this quality product. Be sure to check all packing materials carefully for small parts which may have come loose inside the carton during shipment. Identify and count all parts and compare with the parts list below.

\*\*Assemble the product on a flat, soft surface such as a carpet or cloth to prevent scratching the finish. Read all instruction and study the drawings carefully before starting the assembly process.

NO.	SKETCH	DESCRIPTION	Q'TY	
A		Headboard	1 pc	
B		Headboard legs	2 pcs	
C		Footboard	1 pc	
D		Side Rails	2 pcs	
E		Stretcher	1 pc	
F		Slats	3 pcs	
G		Support legs	5/0	3 pcs
			6/6	6 pcs

NO.	SKETCH	HARDWARE	Q'TY
a		Φ5/16"x18x1-3/4"	6 pcs
b		Φ5/16"	6 pcs
c		Φ5/16"x19mm	6 pcs
d		4mm	1 pc
e		Φ8x1"	6 pcs



MADE IN VIETNAM

# 111-1/2 Triple Dresser/Mirror

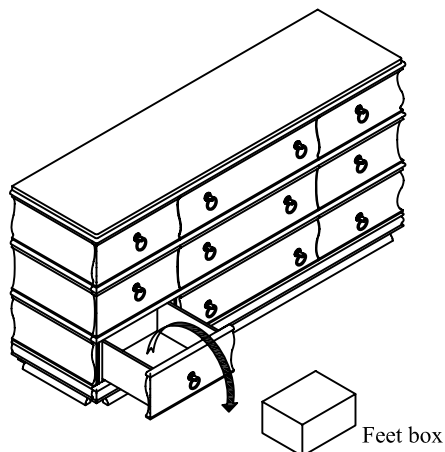
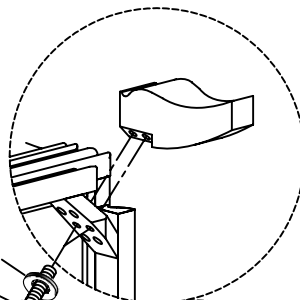
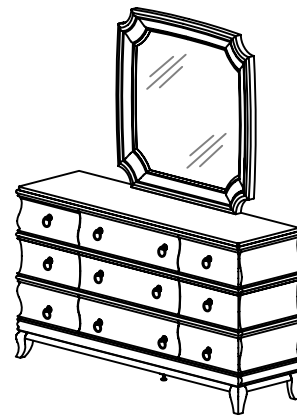
## Assembly Instructions

Thank you for purchasing this quality product. Be sure to check all packing materials carefully for small parts which may have come loose inside the carton during shipment. Identify and count all parts and compare with the parts list below.

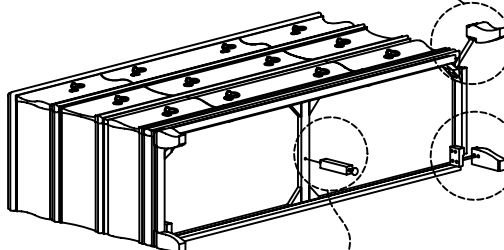
\*\*Assemble the product on a flat, soft surface such as a carpet or cloth to prevent scratching the finish. Read all instruction and study the drawings carefully before starting the assembly process.

NO.	SKETCH	DESCRIPTION	Q'TY
A		Dresser	1pc
B		Mirror	1pc
C		Support mirror	2pcs
D		Back feet	2pcs
E		Front feet	2pcs
F		Support leg	1pc

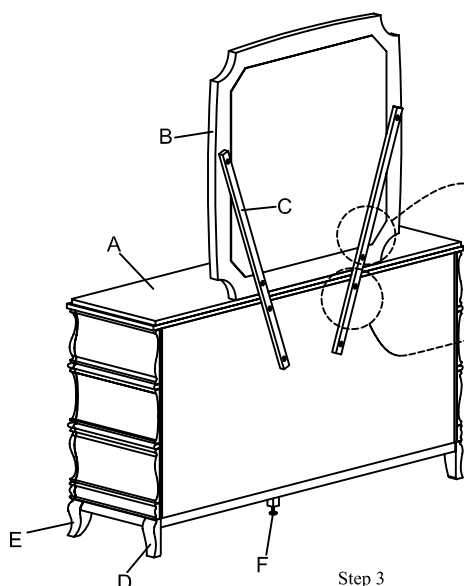
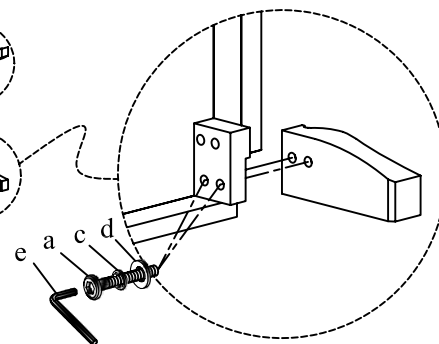
NO.	SKETCH	HARDWARE	Q'TY
a		Φ1/4"x20x2"	8 pcs
b		Φ1/4"x1-1/2"	8 pcs
c		Φ1/4"	16 pcs
d		Φ1/4"x19mm	16 pcs
e		4mm	1 pc



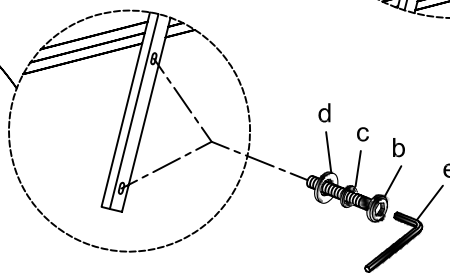
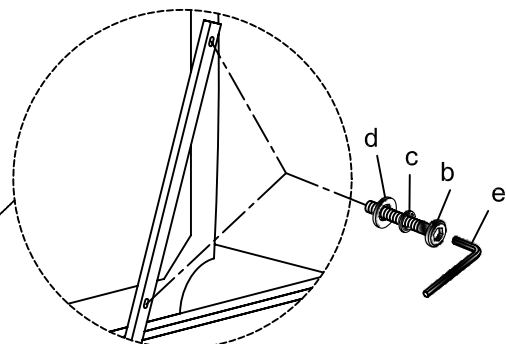
Step 1



Step 2



Step 3









MADE IN VIETNAM

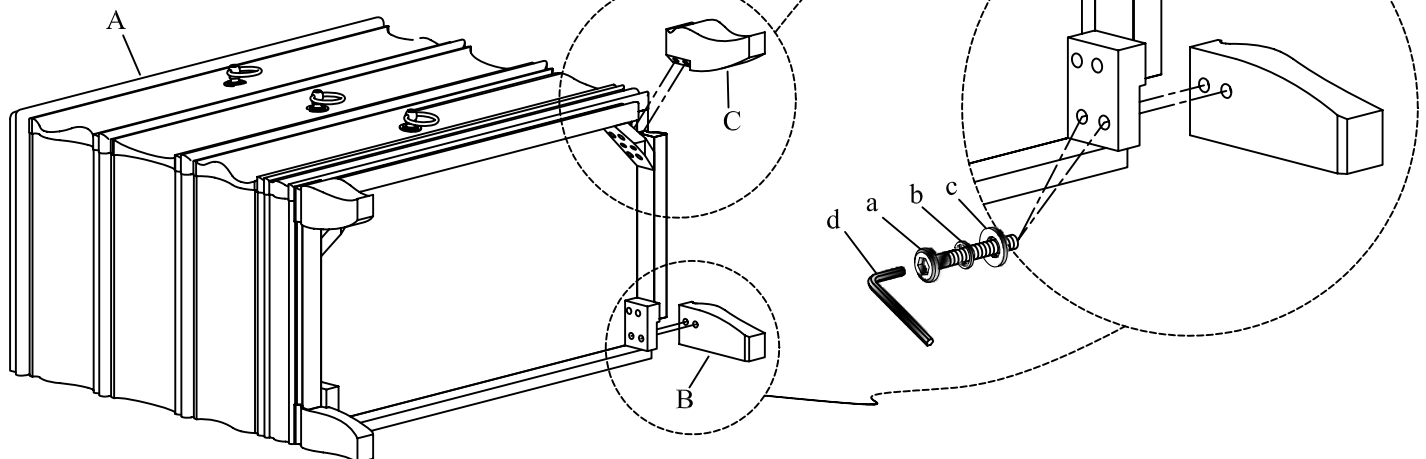
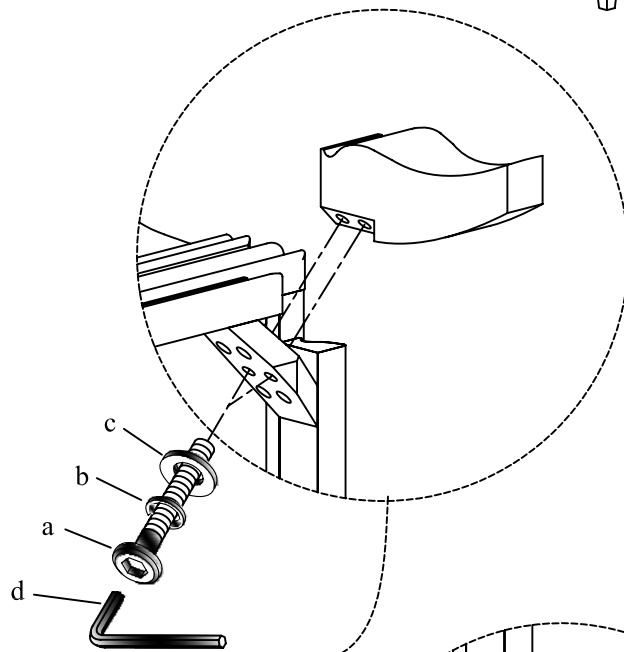
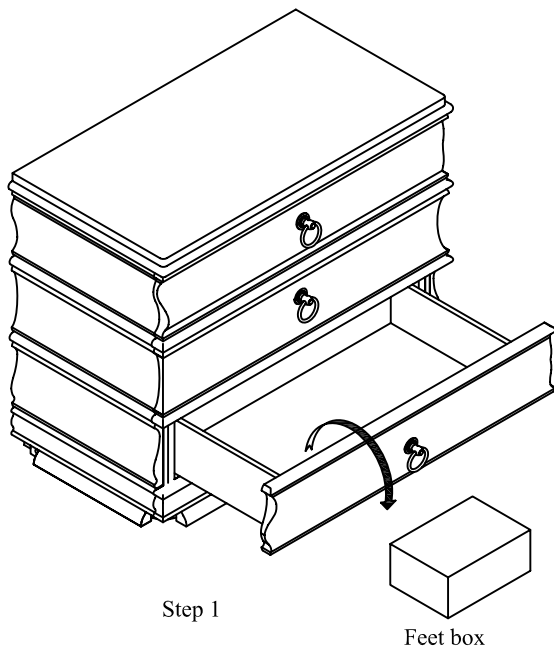
# 111-4A Nightstand Assembly Instructions

Thank you for purchasing this quality product. Be sure to check all packing materials carefully for small parts which may have come loose inside the carton during shipment. Identify and count all parts and compare with the parts list below.

\*\*Assemble the product on a flat, soft surface such as a carpet or cloth to prevent scratching the finish. Read all instruction and study the drawings carefully before starting the assembly process.

NO.	SKETCH	DESCRIPTION	Q'TY
A		Nightstand	1pc
B		Back feet	2pcs
C		Front feet	2pcs

NO.	SKETCH	HARDWARE	Q'TY
a		Φ1/4"x20x2"	8 pcs
b		Φ1/4"	8 pcs
c		Φ1/4"x19mm	8 pcs
d		4mm	1 pc

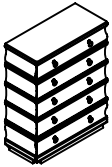








MADE IN VIETNAM

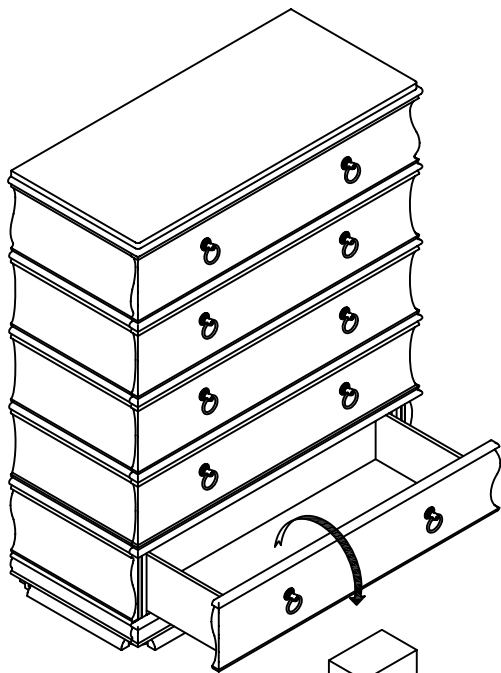
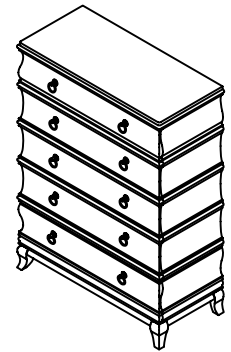
# 111-5 Drawer Chest Assembly Instructions

Thank you for purchasing this quality product. Be sure to check all packing materials carefully for small parts which may have come loose inside the carton during shipment. Identify and count all parts and compare with the parts list below.

\*\*Assemble the product on a flat, soft surface such as a carpet or cloth to prevent scratching the finish. Read all instruction and study the drawings carefully before starting the assembly process.

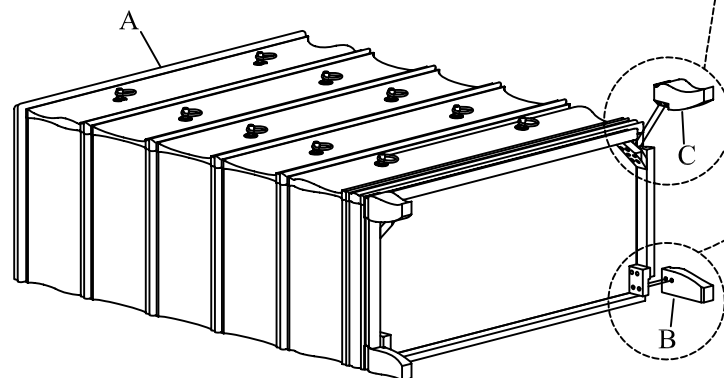
NO.	SKETCH	DESCRIPTION	Q'TY
A		Drawer Chest	1pc
B		Back feet	2pcs
C		Front feet	2pcs

NO.	SKETCH	HARDWARE	Q'TY
a		Φ1/4"x20x2"	8 pcs
b		Φ1/4"	8 pcs
c		Φ1/4"x19mm	8 pcs
d		4mm	1 pc

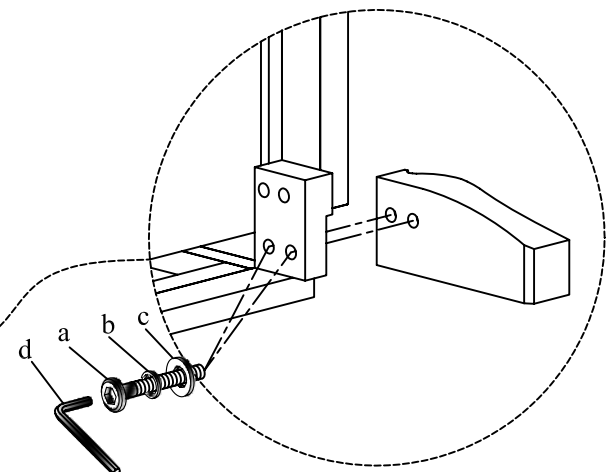
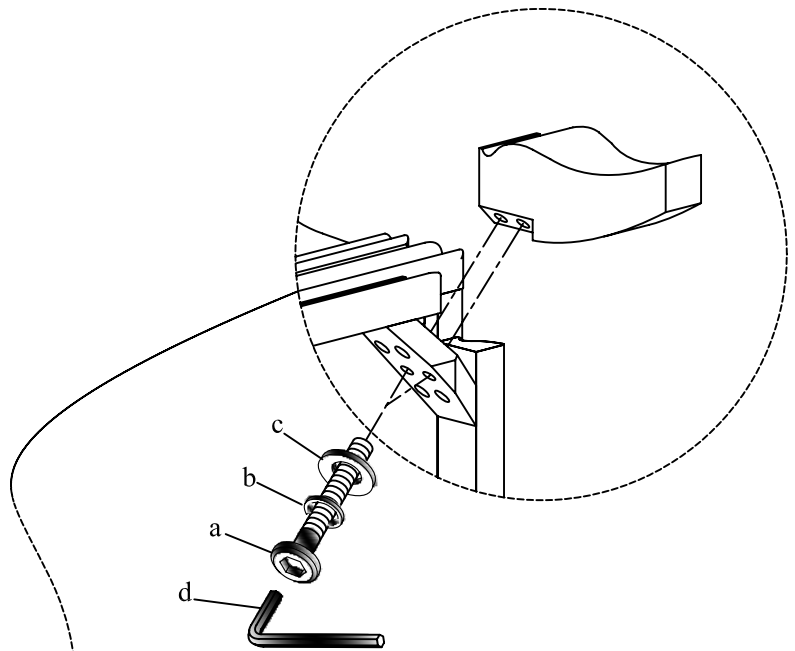


Step 1

Feet box



Step 2










MADE IN VIETNAM

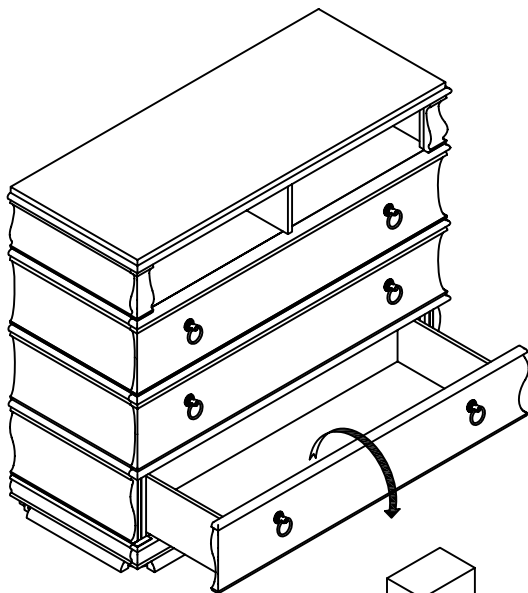
# 111-10 Media Chest Assembly Instructions

Thank you for purchasing this quality product. Be sure to check all packing materials carefully for small parts which may have come loose inside the carton during shipment. Identify and count all parts and compare with the parts list below.

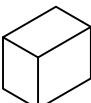
\*\*Assemble the product on a flat, soft surface such as a carpet or cloth to prevent scratching the finish. Read all instruction and study the drawings carefully before starting the assembly process.

NO.	SKETCH	DESCRIPTION	Q'TY
A		Media Chest	1pc
B		Back foot	2pcs
C		Front foot	2pcs

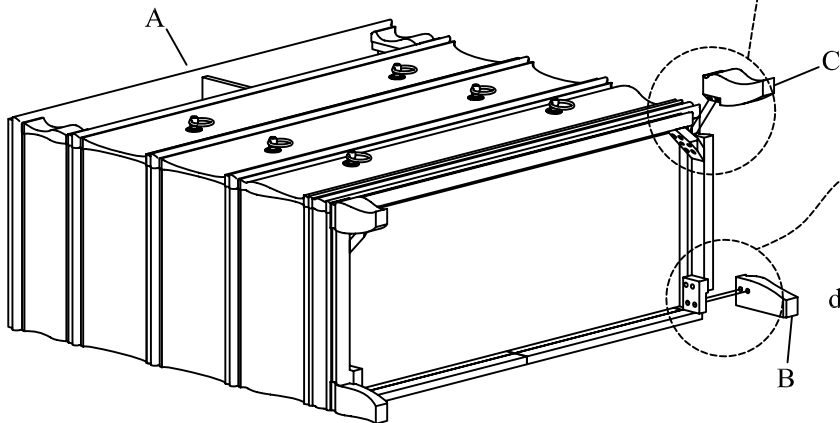
NO.	SKETCH	HARDWARE	Q'TY
a		Φ1/4"x20x2"	8 pcs
b		Φ1/4"	8 pcs
c		Φ1/4"x19mm	8 pcs
d		4mm	1 pc



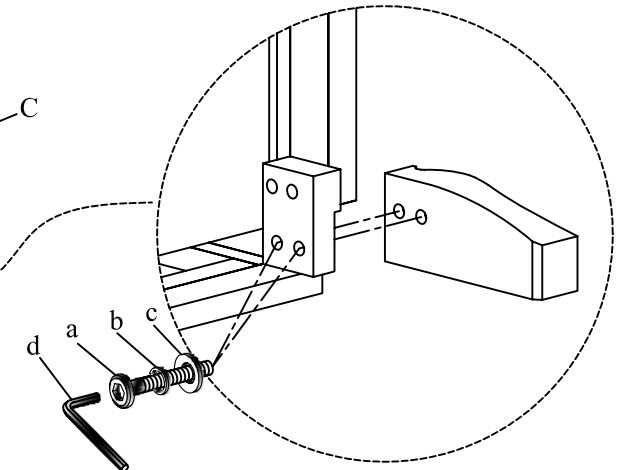
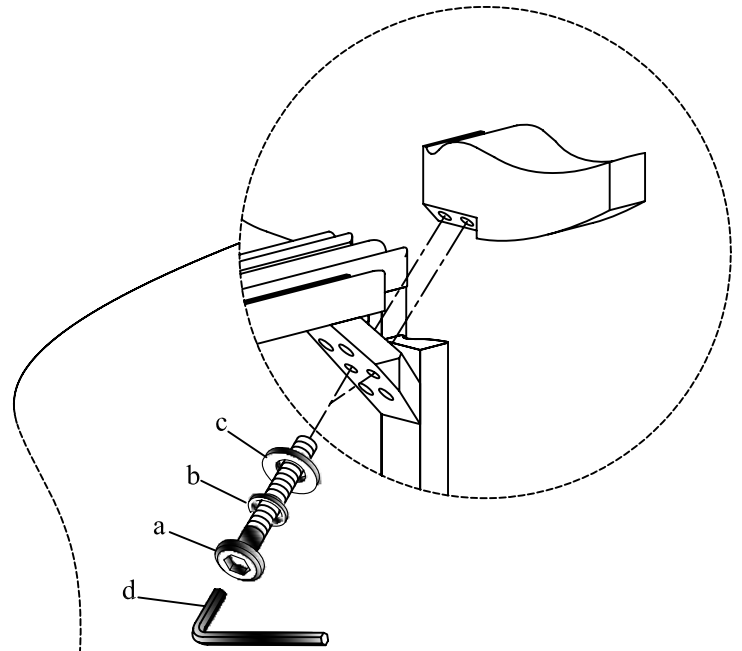
Step 1



Feet box



Step 2



MADE IN VIETNAM