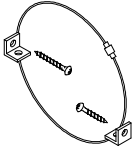


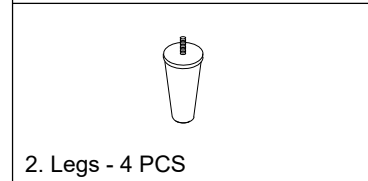
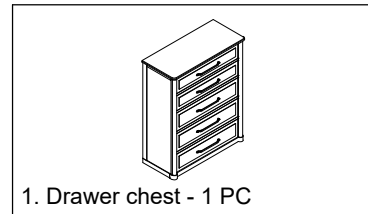
# Assembly Instructions

**BFGP 3399-150 DRAWER CHEST**

**SKU# 32633996**

STEP	CODE	HARDWARE	Q'TY
3	A	 Furniture Tipping Restraint (Not included screwdriver)	1 SET

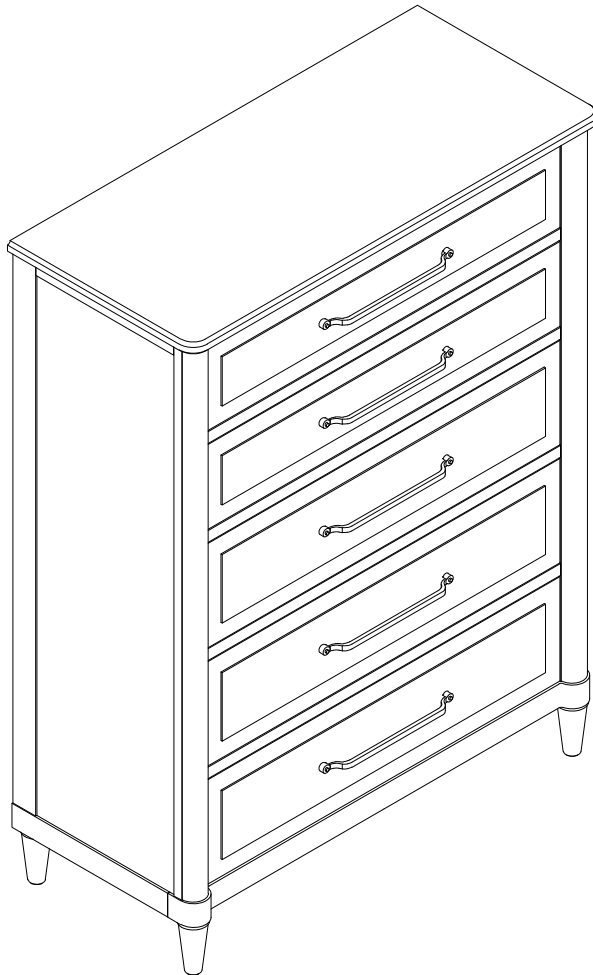
## PART LISTS



### Hardware Pack Location (s):

**BFGP 3399-150 DRAWER CHEST**

**SKU# 32633996**



This product is manufactured by BFGP for

**ROOMS TO GO** ►

**MADE IN VIETNAM**

**VERSIONS# 1 - 10/21/2023**

**1 OF 2**

# Assembly Instructions

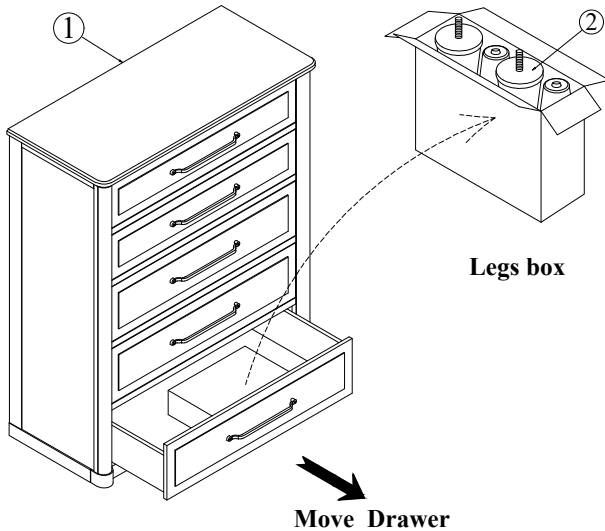
BFGP 3399-150

DRAWER CHEST

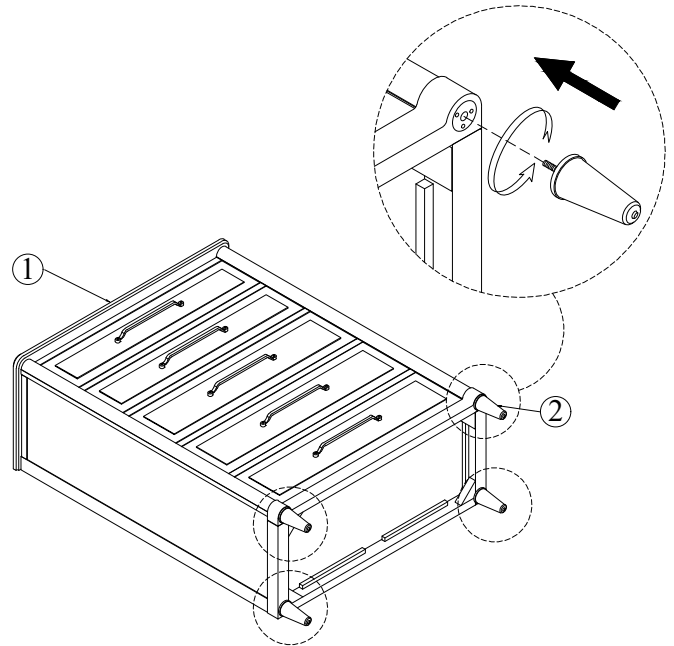
SKU# 32633996

\*\*\*Caution: Please read all instructions carefully before starting the assembly process. These parts are cumbersome and heavy. Therefore, two people are recommended in order to prevent personal injury and ensure the parts are not damage during the assembly.

STEP 1: Legs are in the drawer. Remove Legs (2) from inner box.

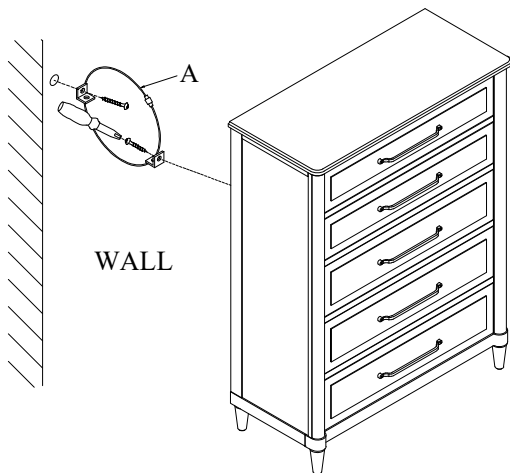


STEP 2: Assemble the Legs (2) to the Drawer Chest (1) as shown.



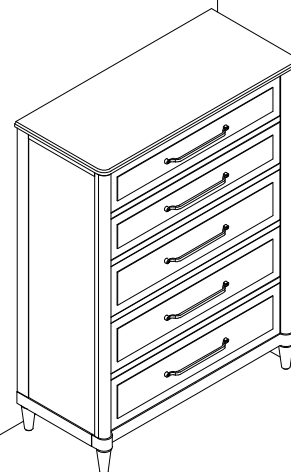
STEP 3: Move the Drawer Chest into final position and use tipping restraint attach to wall. Insert the screw (A) by using the screwdriver.

\*Not included



COMPLETED

WALL



This product is manufactured by BFGP for

**ROOMS TO GO** ►

MADE IN VIETNAM

VERSIONS# 1 - 10/21/2023

2 OF 2