



# Assembly Instructions

Manufactured for  
Rooms To Go

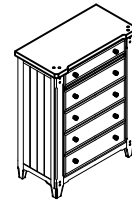
PNWD

3591-6

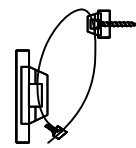
CHEST

SKU# 32635976

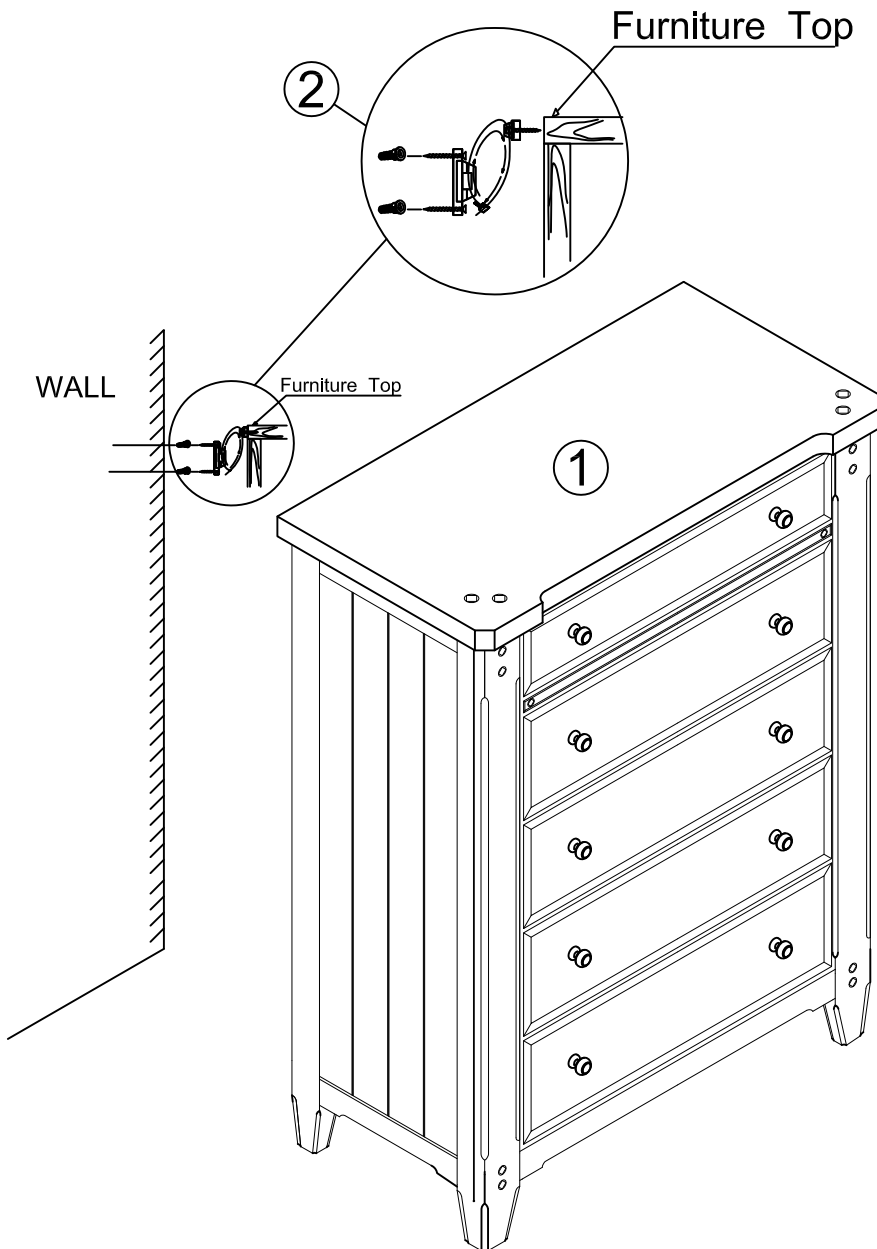
## PARTS LIST



1. Chest - 1 Pc



2. Anti-tip restraint - 1 Pc



PNWD 3591-6 CHEST

SKU# 32635976