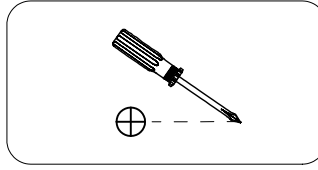
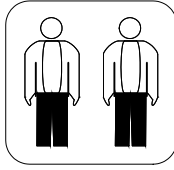
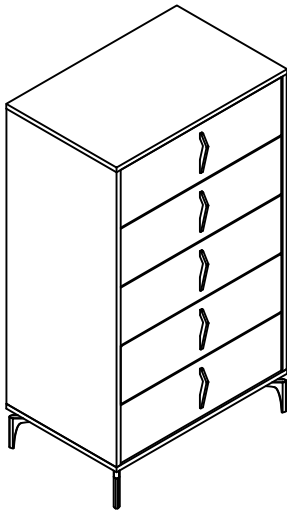


FIBI

Style	4255-4256		
Item	CHEST OF 5 DRAWERS ASSEMBLING		
Sku	33642554-32642565		
Date	07/10/2024	Rev.	2

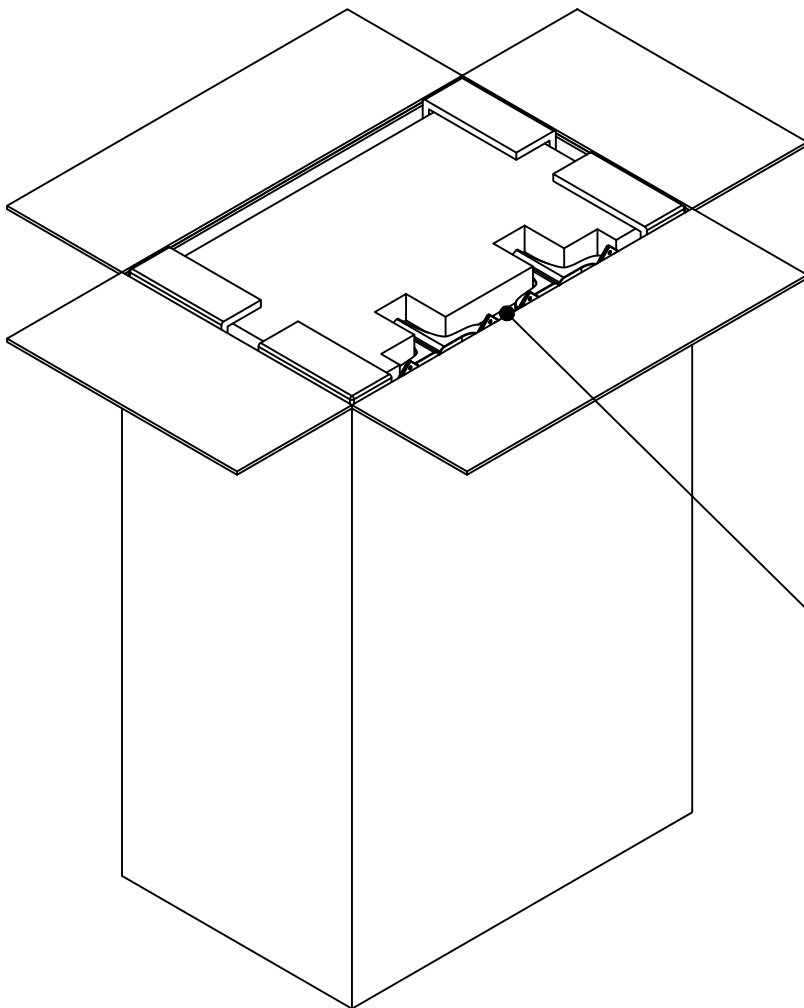


Screwdriver
Not
Included

Hardware :

POS.	A	12	NR	POS.	B	4	NR
	M6 X 25						

1 Open chest of drawers box from the bottom side

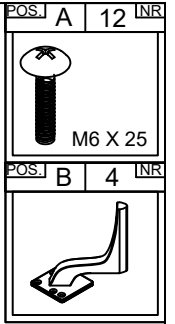


Feet
for chest of drawers

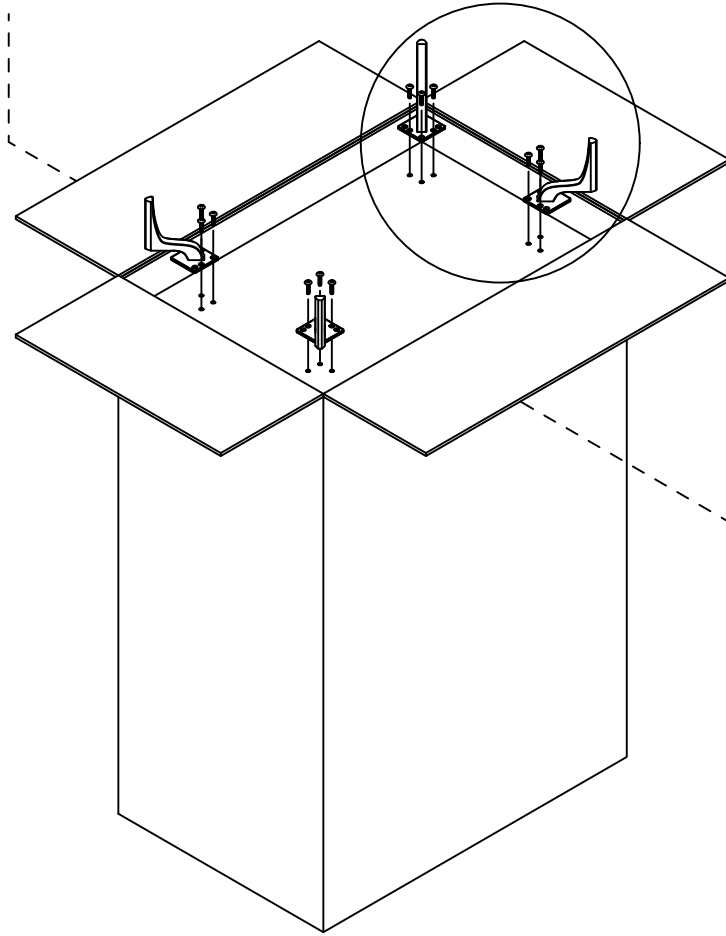
Do not remove carton
during the assembly
process.



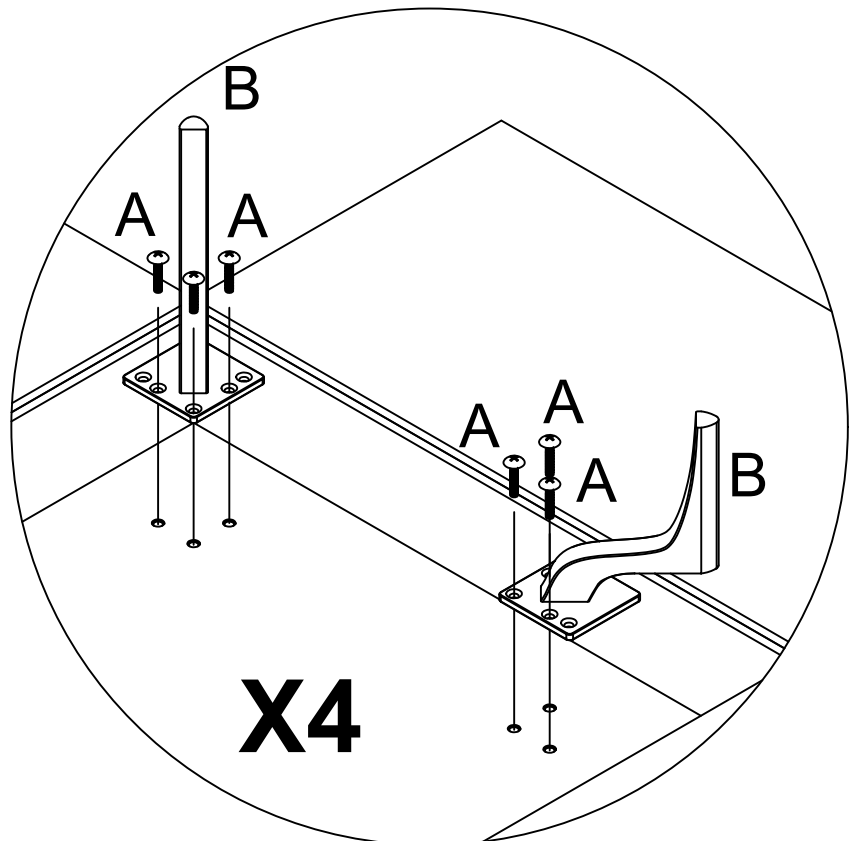
2 Mount the feet on the bottom of the chest of drawers



FRONTSIDE

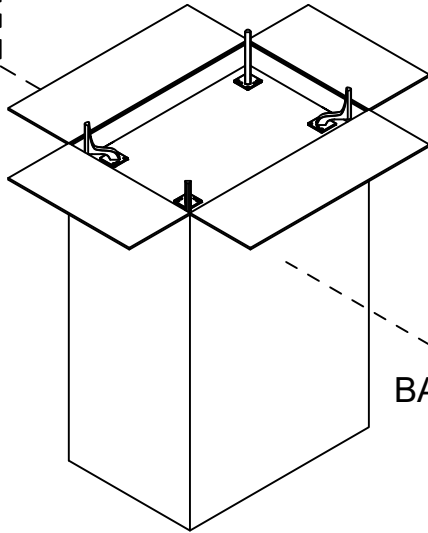


BACKSIDE



3 Flip over the chest of drawers on its feet

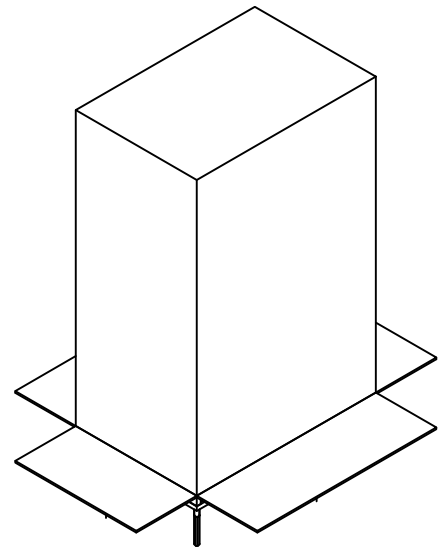
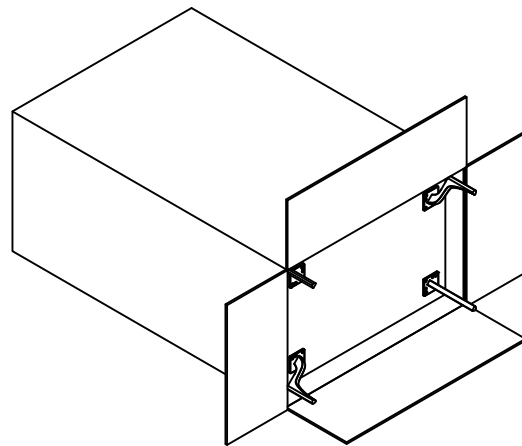
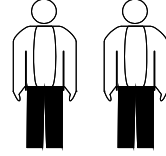
FRONTSIDE



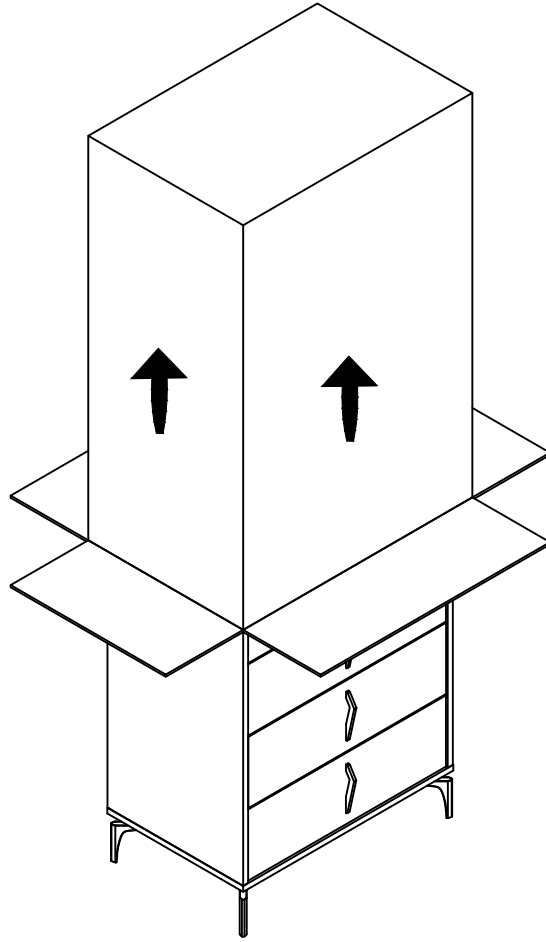
BACKSIDE

WARNING

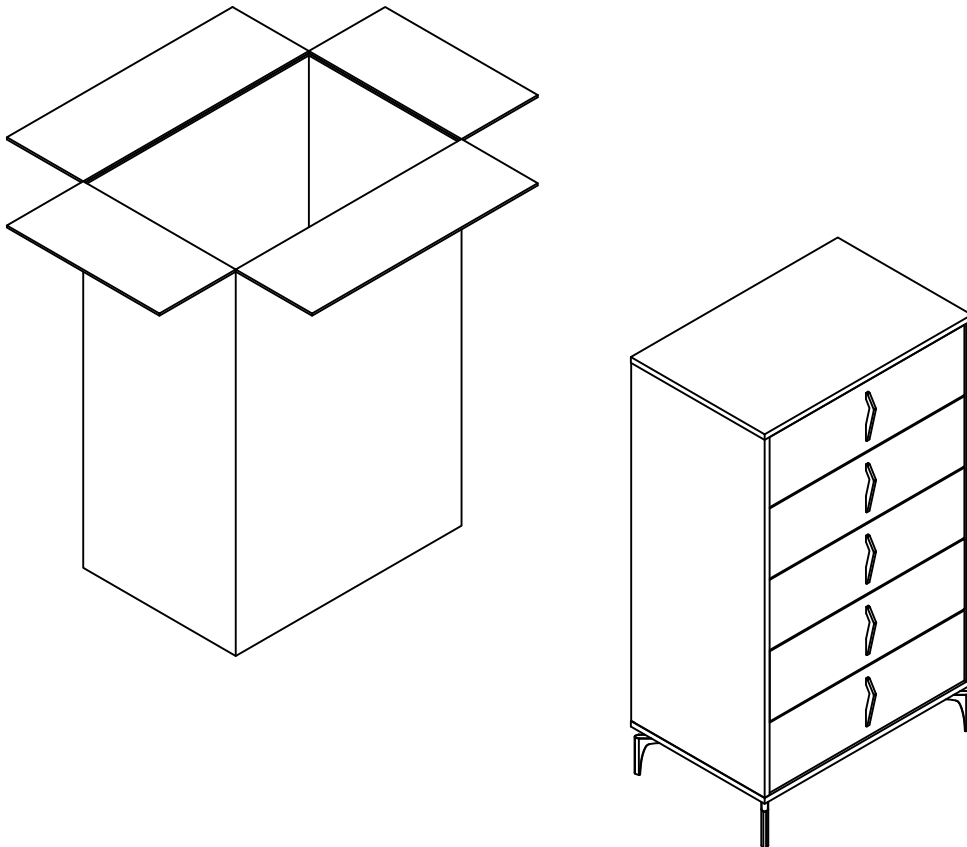
2 people
required



4 Lift the carton



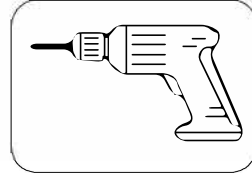
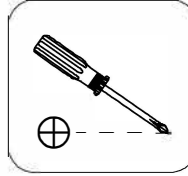
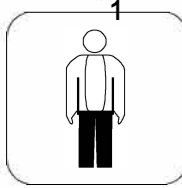
5 Open the first drawer and follow the instruction to fix the chest of drawers by the wall



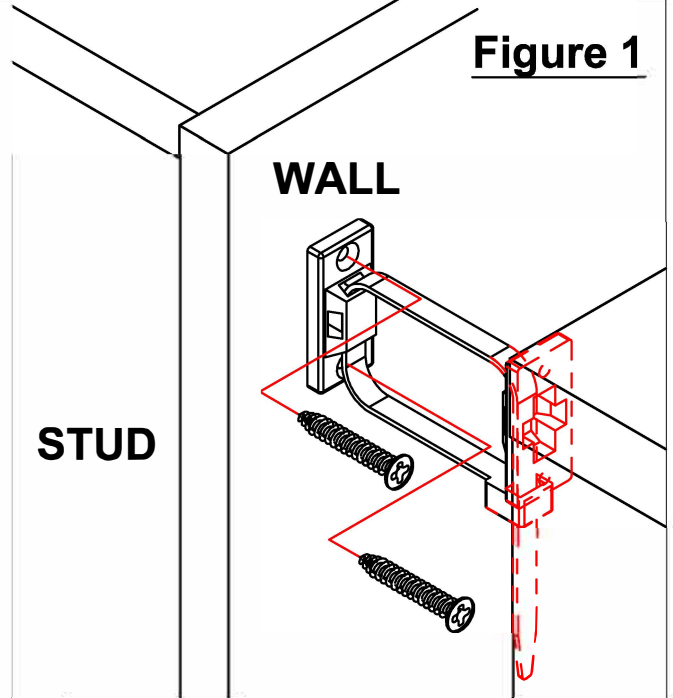
FIBI

Style	4255-4256		
Item	ANTI-TIP SAFETY HARDWARE INSTALLATION INSTRUCTIONS		
Sku	33642554-32642565		
Date	07/10/2024	Rev.	1

Hardware : 4 brackets
4 1 1/2" screws
4 3/4" screws
2 brackets strap



1 Determine desired location of furniture piece. Find wall stud behind furniture piece and position one bracket vertically on the stud approximately 1" below the top of furniture piece. Mark and drill pilot hole in the center of the stud with a 3/32" drill bit. Attach bracket to stud with the two 1 1/4" screws. (Figure 1)



2

The second bracket will need to be attached horizontally to the top of furniture frame. Temporarily move furniture away from wall and place a bracket near top of frame. Mark and drill holes for screws with a 3/32" drill bit. Attach bracket to furniture piece with the two 3/4" screws. (Figure 2)
Move furniture piece into its final position, taking care to line up the wall bracket with furniture bracket. Thread the strap through the brackets as shown in the illustrations. Tighten strap until snug. Note: Do not overtighten.

