

Assembly Instructions

SLAW 135-4788/4790-040 Chest


SKU# 32647882/32647907

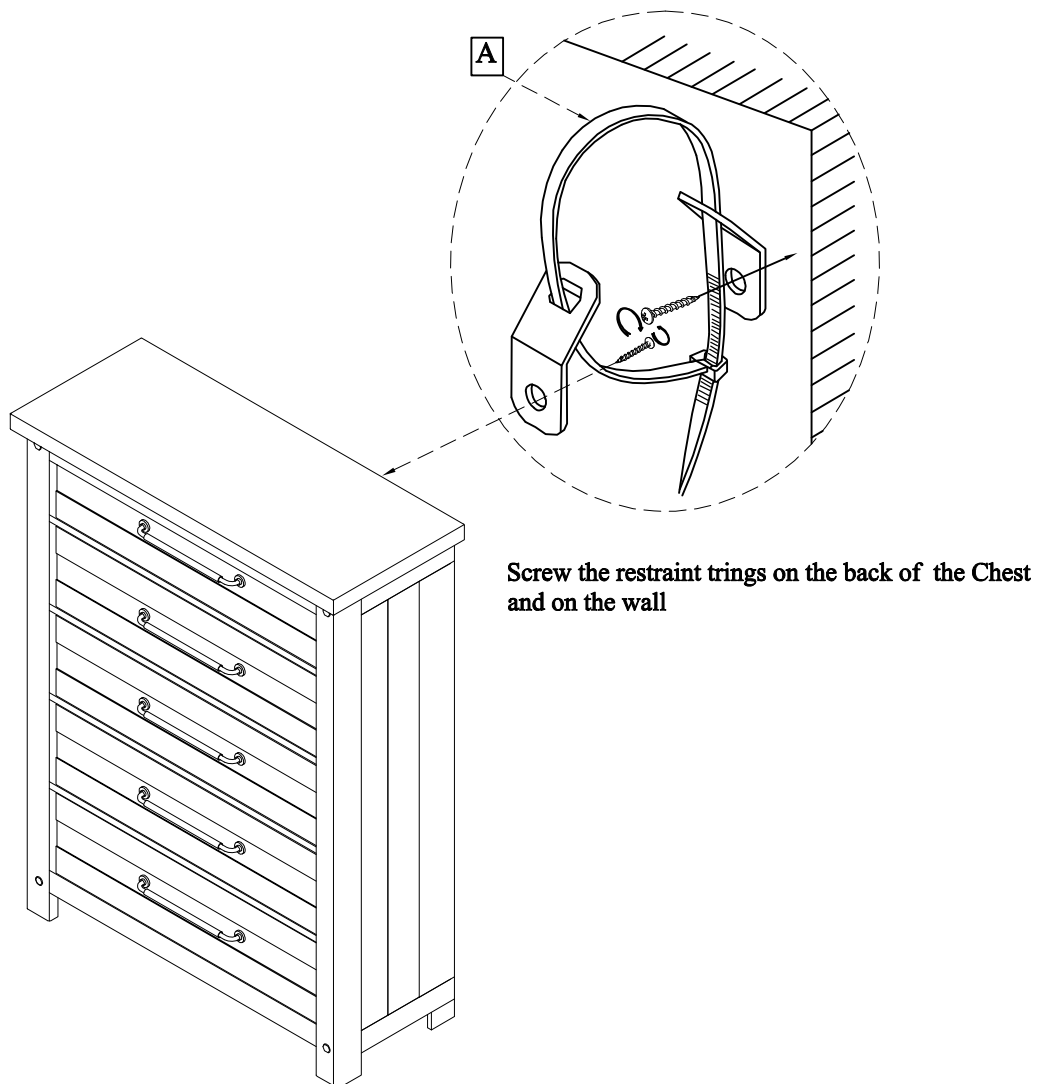
This product is manufactured by SLAW for

ROOMS TO GO ►

*****Caution:** Please read all instructions carefully before starting the assembly process. These part are cumbersome and heavy. Therefore, two people are recommended in order to prevent personal injury and ensure the parts are not damaged during the assembly.

Step	Code	HARDWARE LIST		
1	A	Furniture Tipping Restraint		1set

TOOLS REQUIRED (NOT PROVIDED)	
Description	Sketch
Phillips Screwdriver	



Screw the restraint trings on the back of the Chest and on the wall

Anti Tipping Kit Location(s):

135-4788/4790-040 Chest, SKU# 32647882/32647907

Top drawer inside

Assembly Instructions




SLAW 135-4788/4790-010 Dresser
 SLAW 135-4788/4790-030 Mirror w/hrdw for dresser

SKU# 32147882/32147907
 SKU# 32247884/32247909


This product is manufactured by SLAW for

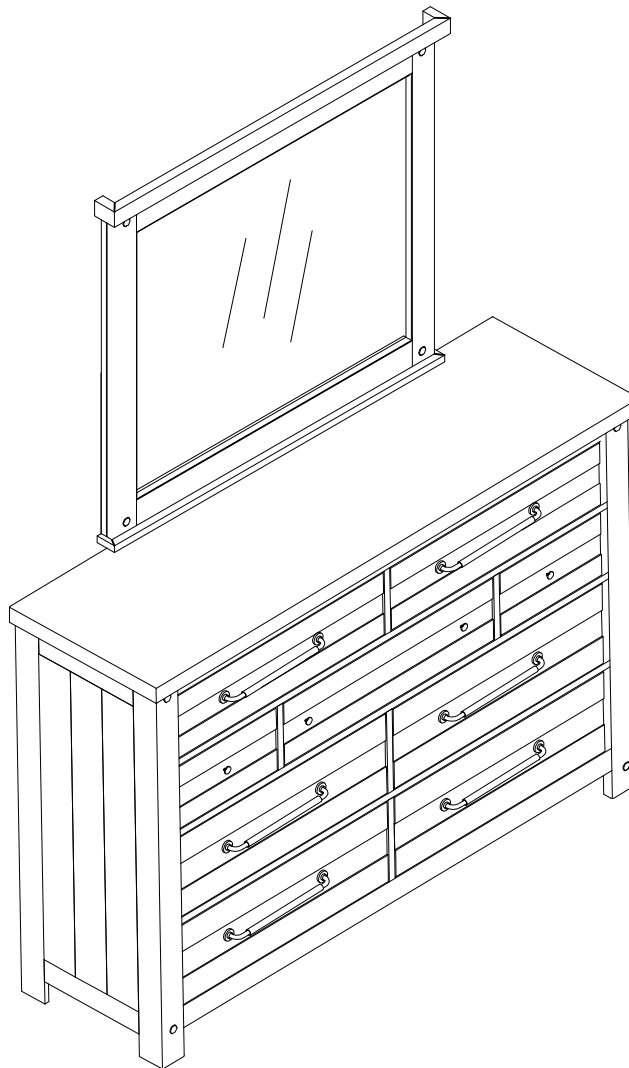
ROOMS TO GO ▶

*****Caution:** Please read all instructions carefully before starting the assembly process. These part are cumbersome and heavy. Therefore, two people are recommended in order to prevent personal injury and ensure the parts are not damaged during the assembly.

Code	PART LIST		
1	Mirror		1PC
2	Dresser		1PC
3	Mirror support		2PCS

Step	Code	HARDWARE LIST		
1	A	Furniture Tipping Restraint		1set
	B	4mm Allen key		1pc

TOOLS REQUIRED (NOT PROVIDED)	
Description	Sketch
Phillips Screwdriver	



Anti Tipping Kit Location(s):

135-4788/4790-010 Dresser
 Top right drawer inside

Hardware Pack location(s)

135-4788/4790-030 Mirror

SKU# 32147882/32147907

SKU# 32247884/32247909

MADE IN VIETNAM

Residential Use Only

1 OF 2

Assembly Instructions

SLAW 135-4788/4790-010 Dresser
SLAW 135-4788/4790-030 Mirror w/hrdw for dresser

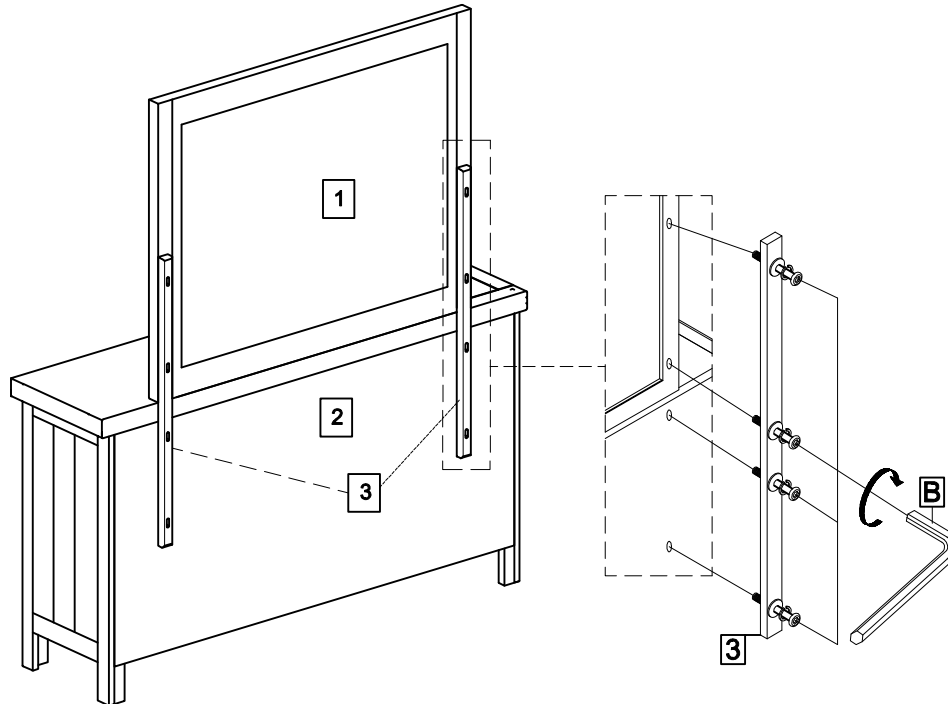
SKU# 32147882/32147907
SKU# 32247884/32247909

This product is manufactured by SLAW for

ROOMS TO GO ▶

*****Caution:** Please read all instructions carefully before starting the assembly process. These part are cumbersome and heavy. Therefore, two people are recommended in order to prevent personal injury and ensure the parts are not damaged during the assembly.

STEP 1



NOTES: Bolts were already pre-installed on the mirror brackets
Install the Mirror (1) onto the Dresser (2) with 2 Mirror support (3)
from the back using allen key (B).

STEP 2

