



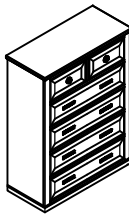


Assembly Instructions

NCHF B211-070N CHEST - SKU# 32652124

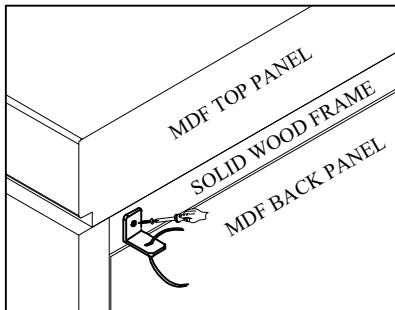
Manufactured by NCHF for Rooms To Go

Step	Code	Hardware	Q'TY
	A	Allen Key	1 Pc
1	B	Bolt 5/16"-18 x 3-3/4"	4 Pcs
		Spring Washer 5/16" dia.	
		Flat Washer 5/16" dia.	

PARTS LIST

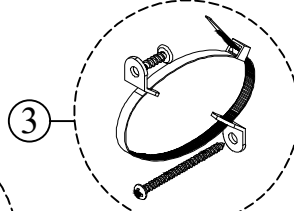
	1. Chest - 1 Pc
	2. Foot- 4 Pcs
	3. Anti-tip Restraint - 1 Pc

* Remarks: Tipping Restraint kit provided must be install to solid woodback frame only. Do not install to mdf top panel or MDF back panel.

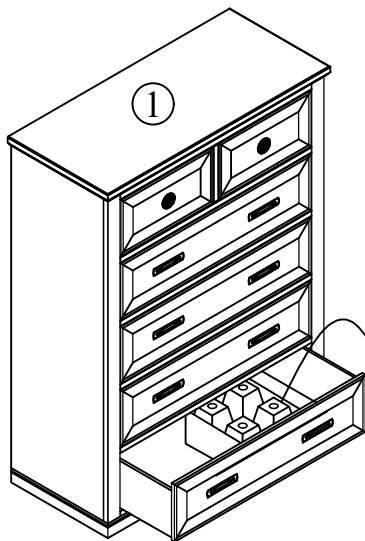
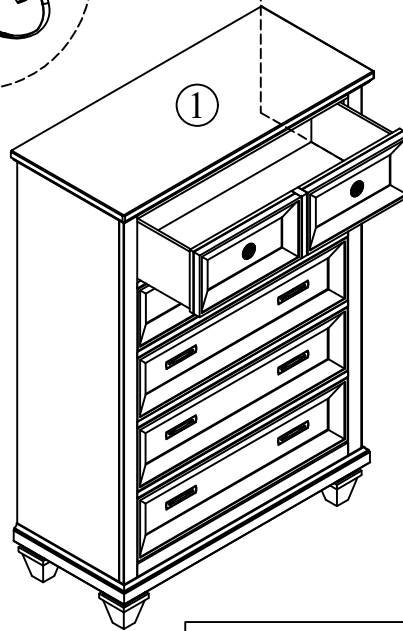


Tool Required: Philip screwdriver
(not provided)

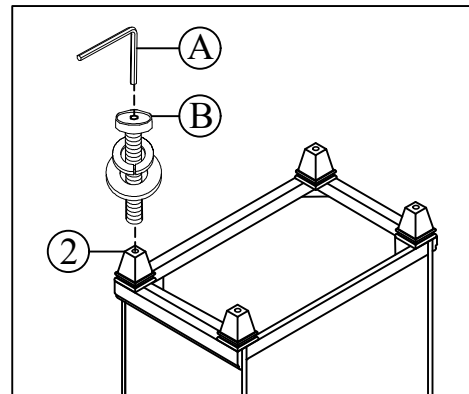
Anti-tip Restraint



STEP2



STEP1



HARDWARE PACK LOCATION(S):

NCHF B211-070N CHEST - SKU# 32652124