

**ROOMS  
TO GO**

**LWYE ASSEMBLY INSTRUCTIONS**

MODEL : 5450 / 5453

**CHEST**

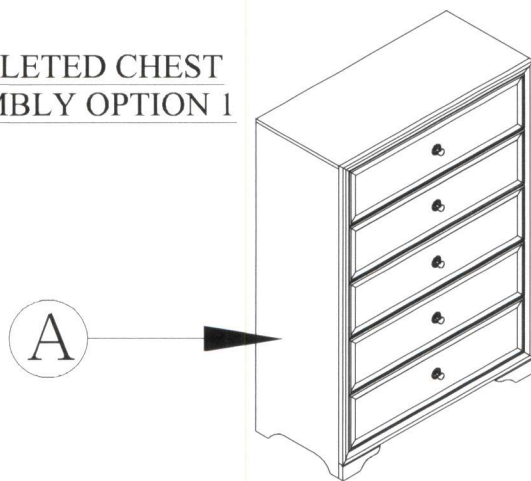
5450 / 5453-6 - SKU # 32654508 / 32654534

Thank you for purchasing this quality product. Be sure to check all packing material carefully for small parts. Which may have come loose inside the carton during shipment. Identify and count all parts and compare with the hardware list below :

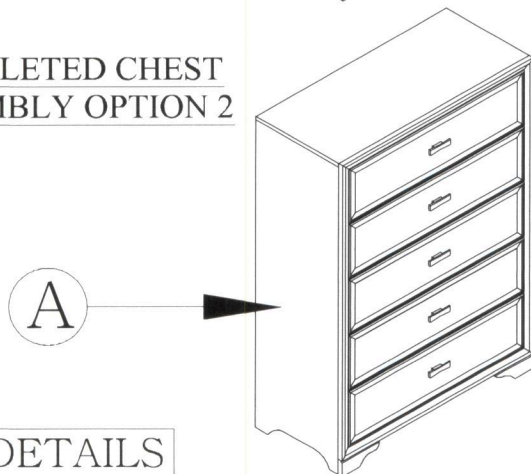
	No.	Picture	Description	Dimension	Qty
Hardware List	①		Handle (Option 1)		5 Pcs
	②		Handle (Option 2)		5 Pcs
	③		Handle Screw	4 x 28mm	15 Pcs
	④		Anti Tipping Kit		1 Set
	⑤		Screw Driver (*)		1 Pc
Parts List Notes :	No.	Description			Qty
	A	Chest			1 Pc

(\*) The manufacturer does NOT provided Item 5.

COMPLETED CHEST  
ASSEMBLY OPTION 1



COMPLETED CHEST  
ASSEMBLY OPTION 2



**Serious or fatal crushing injuries can occur from furniture tip-over. To help prevent tip-over :**

- \*Place heaviest items in the lowest drawers.
- \*Unless specifically designed to accommodate, do not set TVs or other heavy object on the top of this product.
- \*Never allow children to climb or hang on drawers, doors, or shelves.
- \*Never open more than one drawer at a time.  
(OR)
- \*Do not defeat or remove the drawer interlock system.


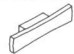
**Use of tip-over restraints may only reduce, but not eliminate the risk of tip over.**

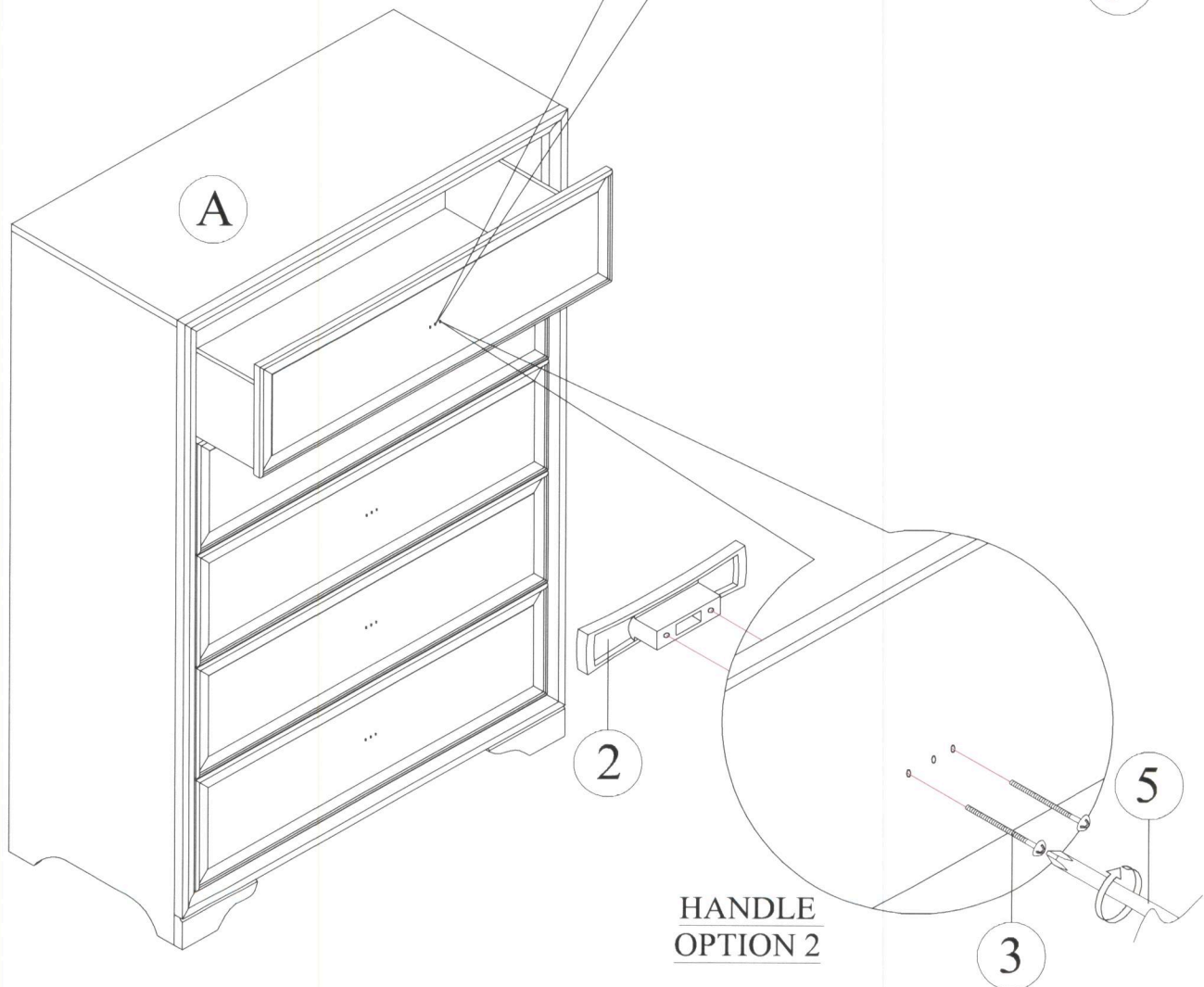
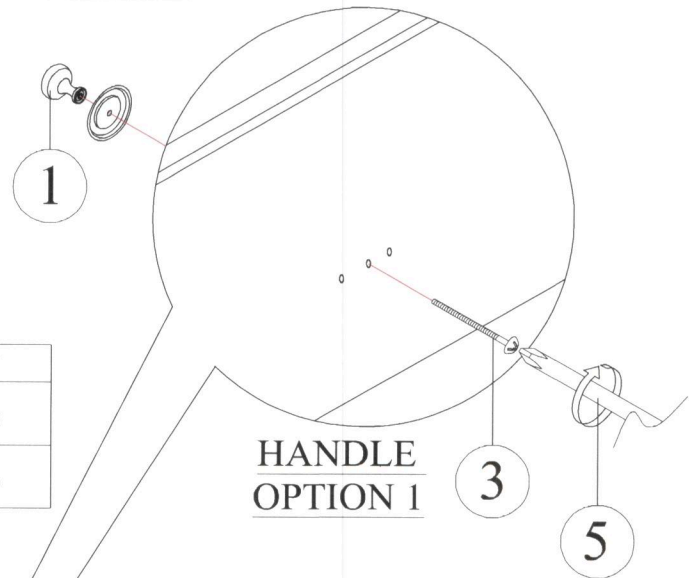
**PARTS DETAILS**

# Assembly step

## STEP 1

To assemble handle to drawer

No.	Picture	Description	Qty
①		Handle (Option 1)	5 Pcs
②		Handle (Option 2)	5 Pcs



NOTE :