



# Assembly Instruction

ITCO 8061-6 5 DRAWER CHEST SKU NO.: 32680616

Manufactured by ITCO for Rooms To Go

Version #1 - 2025/08/15

Thank you for purchasing this quality product. Be sure to check all packing material carefully for small parts, which may have come loose inside the carton during shipment. Identify and count all parts and compare with the part list below.

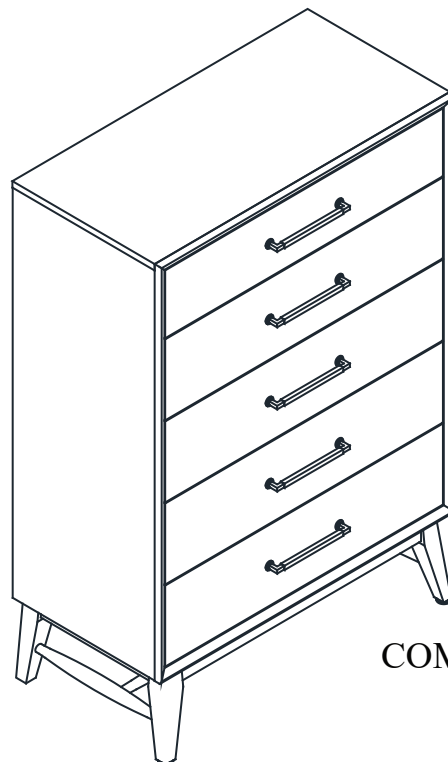
HARDWARE LIST				
Step	Code	Sketch	Descriptions	QTY
3	A		Tipping Restraint "Customer To Assemble"	1 Set
2	B		Screw Ø8mm x 32mm	2 Pcs
1	C		Allen Key 4mm x 74mm x 29mm	1 Pc

PARTS LIST				
Step	Code	Parts List	Sketch	QTY
1	1	6 Drawer Chest		1 Pc
1&2	2	Leg Frame - Right		1 Pc
1&2	3	Leg Frame - Left		1 Pc
1&2	4	Stretcher		1 Pc

PRE- INSTALLED HARDWARE LIST FOR CHEST				
Step	Code	Sketch	Descriptions	QTY
1	D		Bolt 5/16"-18 x 38mm x 12mm (Pre-Assembled)	6 Pcs
			Spring Washer 5/16"-18 x 13mm x 2mm (Pre-Assembled)	6 Pcs
			Flat Washer 5/16"-18 x 18mm x 2mm (Pre-Assembled)	6 Pcs
			Threaded Washer 5/16"-18 x 21mm x 10mm (Pre-Assembled)	6 Pcs

### TOOLS REQUIRED ( NOT PROVIDED )

PHILLIPS SCREWDRIVER



COMPLETE ASSEMBLY

Hardware Pack Location:

8061-6 5 DRAWER CHEST, SKU NO.: 32680616



# Assembly Instruction

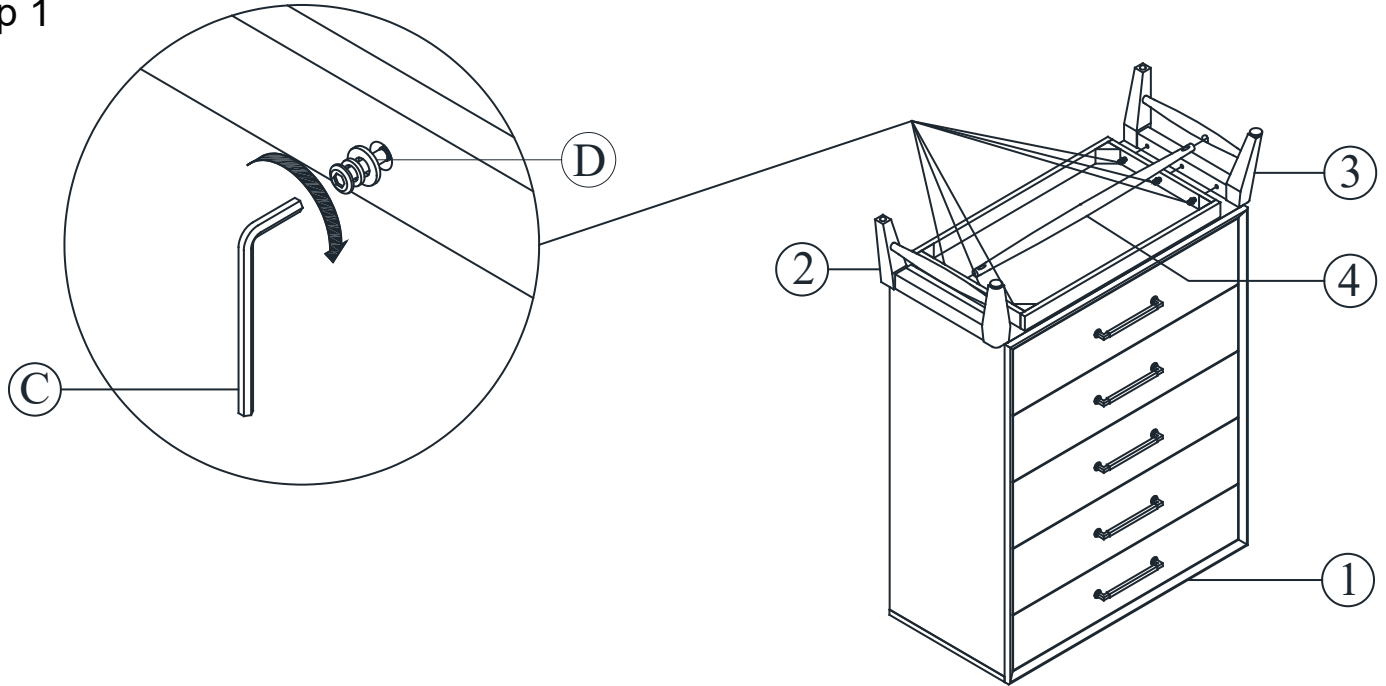
ITCO 8061-6 5 DRAWER CHEST SKU NO.: 32680616

Manufactured by ITCO for Rooms To Go

Version #1 - 2025/08/15

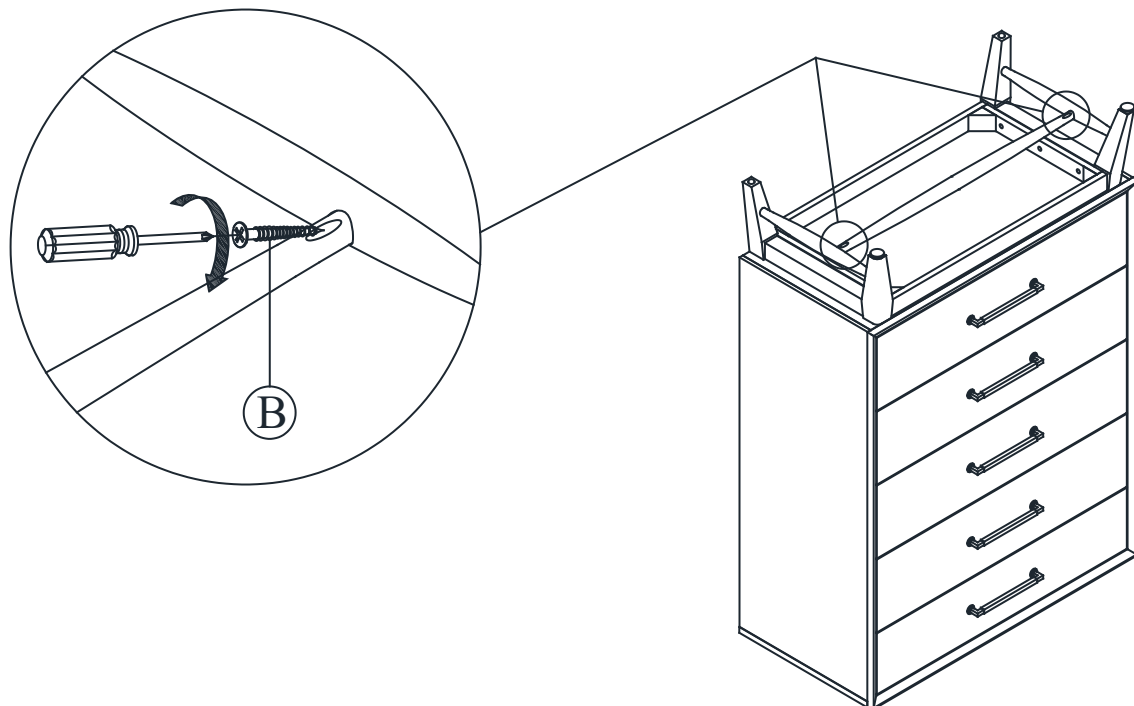
Thank you for purchasing this quality product. Be sure to check all packing material carefully for small parts, which may have come loose inside the carton during shipment. Identify and count all parts and compare with the part list below.

## Step 1



Attach leg frame - right (2) & leg frame - left (3) to 5 drawer chest (1) by using allen key (C) tighten the bolts. Meanwhile pre-attached the stretcher (4).

## Step 2



Please use a screwdriver (not provided) to attach stretcher (4) leg frame - right (2) & leg frame - left (3) by using screw (B).

**CLEANING INSTRUCTION:** Clear with a soft cloth and warm water with a diluted mild detergent. Follow with a soft cloth and clear water rinse. Then dry thoroughly with a soft cloth.



# Assembly Instruction

ITCO 8061-6 5 DRAWER CHEST SKU NO.: 32680616

Manufactured by ITCO for Rooms To Go

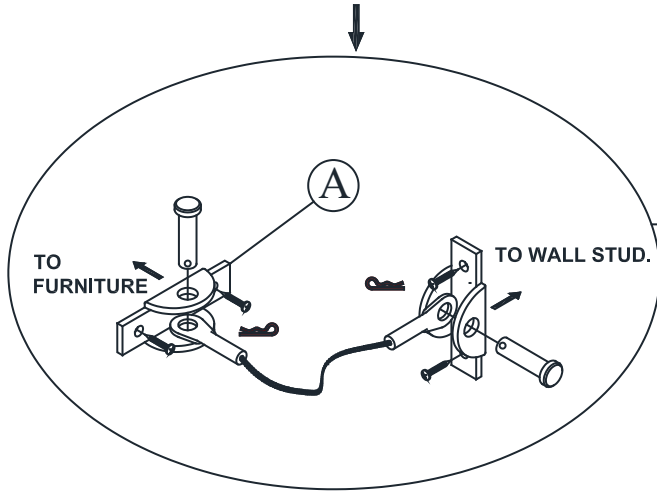
Version #1 - 2025/08/15

Thank you for purchasing this quality product. Be sure to check all packing material carefully for small parts, which may have come loose inside the carton during shipment. Identify and count all parts and compare with the part list below.

## Step 3 Anti Tipping Hardware inside drawer

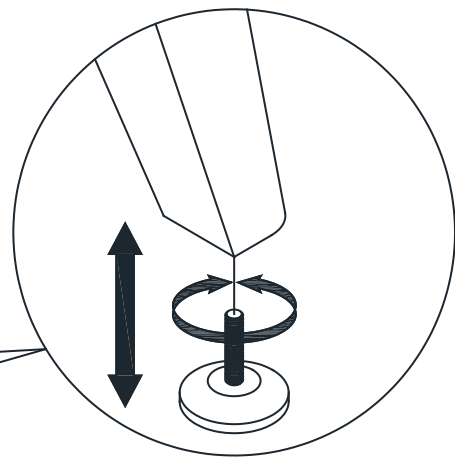
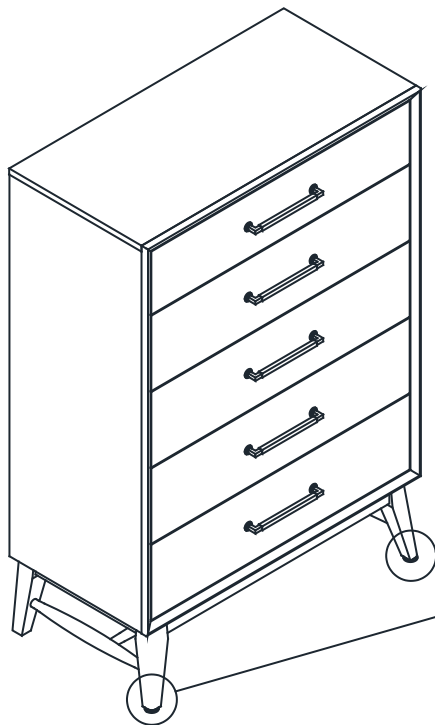
**Anti-tip hardware - customer assembly required.**

Remark: There is a tipping restraint provided on the knob or handle screw on the inside of the top drawer. Please read the directions thoroughly and install immediately when placed in home



Please use a screwdriver (not provided) to install the tipping restraint (1).

## Step 4



Adjust leveler to stabilize (Only 2 pieces on the front side have adjustable levelers).

**CLEANING INSTRUCTION:** Clear with a soft cloth and warm water with a diluted mild detergent. Follow with a soft cloth and clear water rinse . Then dry thoroughly with a soft cloth.