



# Assembly Instructions

NCHF

B722-310 Lincoln Park 5/0 Q Panel Headboard

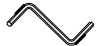


SKU# 32327226

B722-328 Lincoln Park 5/0 Q Storag Footboard

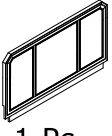


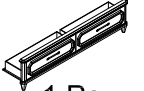
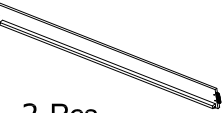
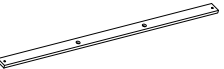
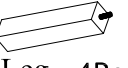
SKU# 33727225

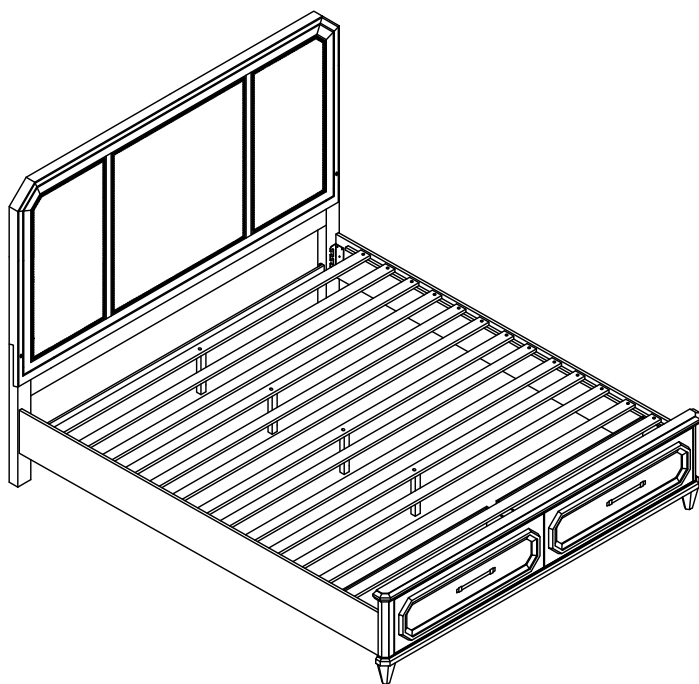
B722-330 Lincoln Park 5/0-6/6 Q/K Siderails

SKU# 32927228

Step	Code	Hardware	Q'TY
	A	Allen Key 	2 Pc
1	B	Bolt 5/16" x 1 1/2" 	10 Pcs
		Spring Washer 5/16" dia.	10 Pcs
		Flat Washer 5/16" dia.	10 Pcs
2	C	Wood Screws 5/16" x 1 1/4" 	26 Pcs

## PARTS LIST

	1. Headboard- 1 Pc
	2. HB Post - 2Pcs (L = 1 R = 1)
	3. HB Bottom Rail- 1Pc
	4. Footboard - 1 Pc
	5. Side Rail -2 Pcs
	6. Slats - 13 Pcs
	7. Long Support Leg - 4Pcs



## HARDWARE PACK LOCATION(S):

B722-310 Lincoln Park 5/0 Q Storag Panel Headboard

SKU# 32327226



# Assembly Instructions

NCHF

B722-310 Lincoln Park 5/0 Q Panel Headboard

SKU# 32327226

B722-328 Lincoln Park 5/0 Q Storag Footboard

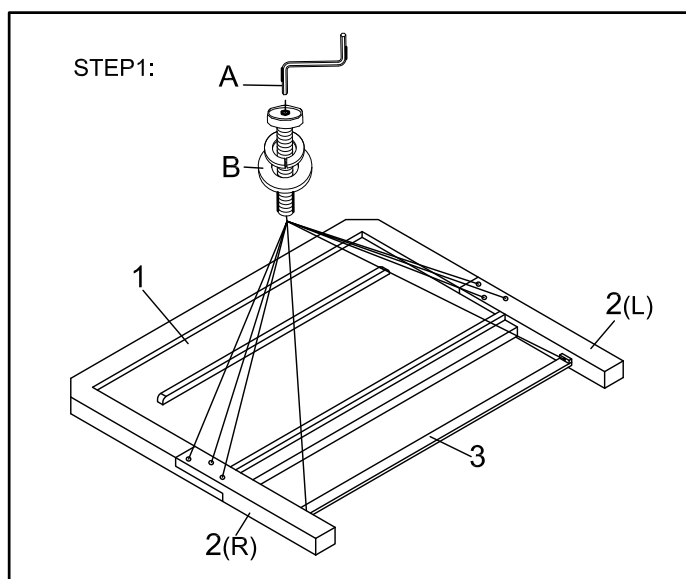
SKU# 33727225

B722-330 Lincoln Park 5/0-6/6 Q/K Siderails

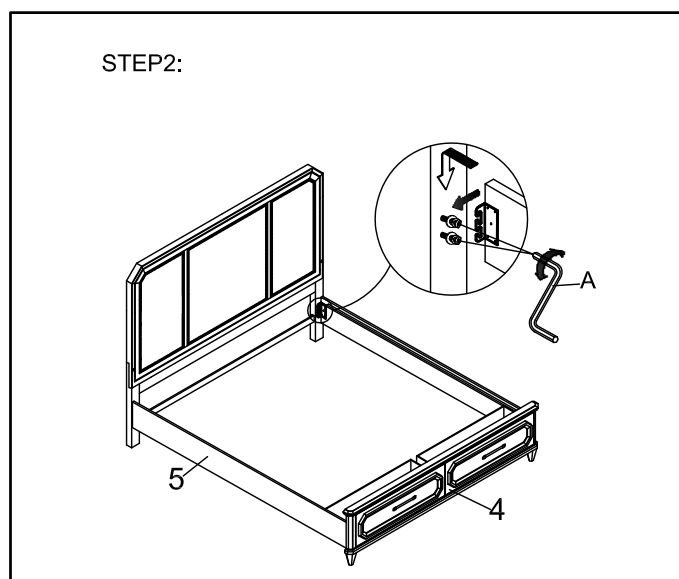
SKU# 32927228

\*\*\*Cautions: Please read all instructions carefully before starting the assembly process. These parts are cumbersome and heavy. Therefore, two people are recommended in order to prevent personal injury and insure the parts are not damaged during the assembly. There are 2 options to assemble this product. Please refer and follow 2 options as below.

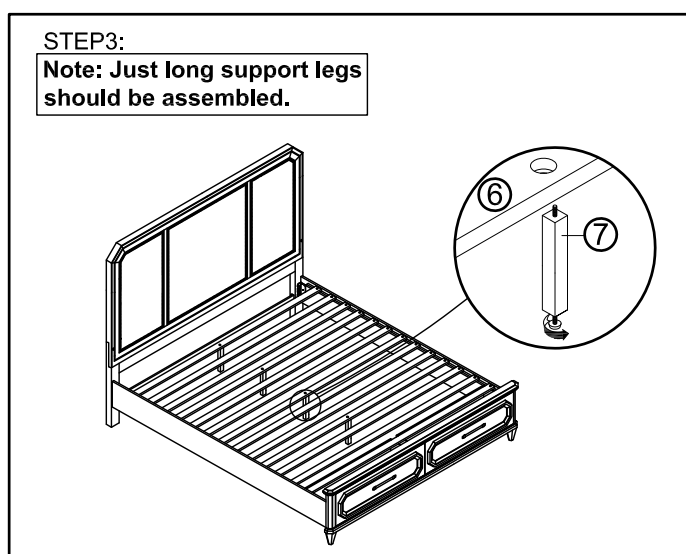
## Option 1: The siderail cleats are at low position.



Attach Headboard post to Headboard panel, Assemble Headboard bottom rail to headboard posts.  
Note: Do not tighten all bolts until the HeadBoard is fully assembled.

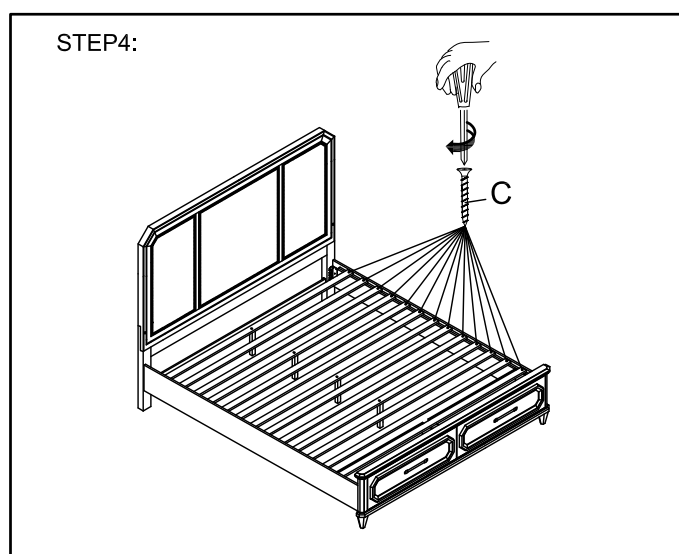


Remove bolts from headboard and footboard then attach side rails to headboard and footboard with the bolts just take off.



STEP3:

Note: Just long support legs should be assembled.



STEP4:

Fasten slats. Assembly completed.

Attach slats to the side rail cleat