



Manufactured by LEGC for ROOMS TO GO

ASSEMBLY INSTRUCTIONS

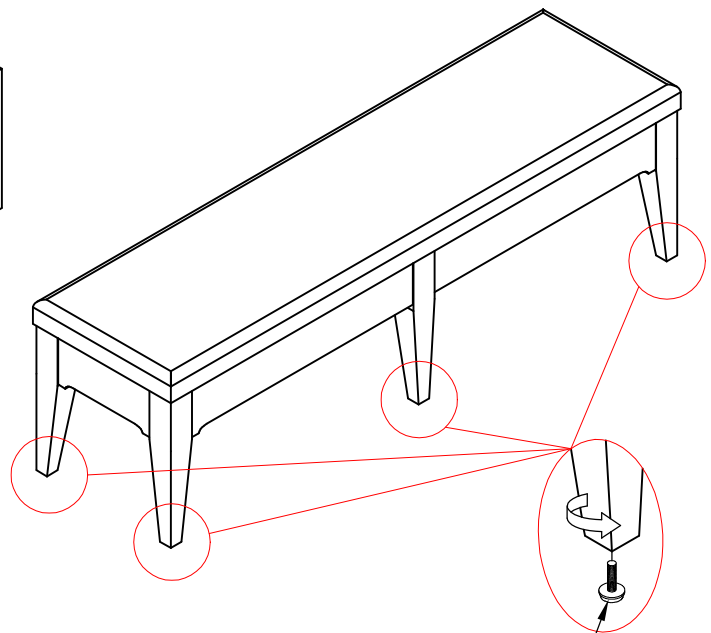
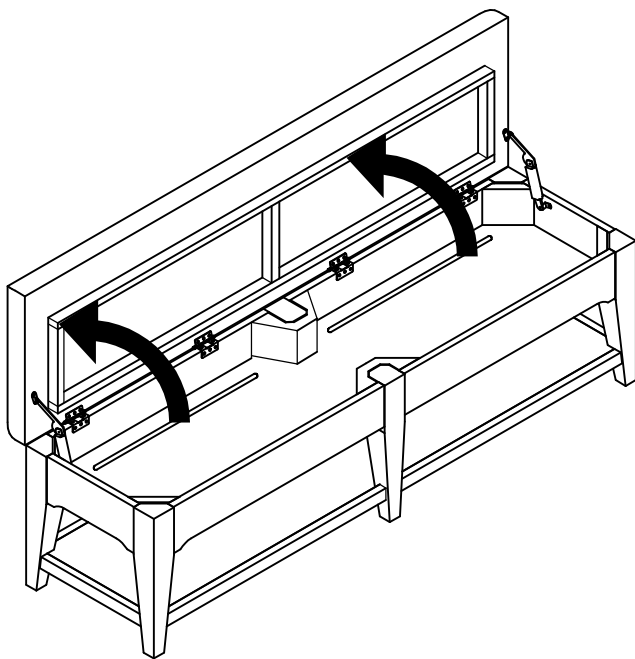
LEGC 5413-4800 UPH STORAGE BENCH - SKU: 33054139

Version 1: 15.10.2025

Caution: Please read the instructions thoroughly before unpacking and assembly. Sharp, exposed staple tips can cause injury. Therefore, for your protection, please remove any exposed staples used in the packaging.

1. We recommend that you should assemble this product with the assistance of another person; this will make assembly easier, and will help eliminate damage to the product or injury to persons during assembly.
2. Be sure to check all packing materials carefully for small parts that may have come loose inside the carton during shipment.
3. Please do not over tighten screws or bolts.
4. Please put all parts on a non-abrasive floor before assembly, and follow the assembly steps to assemble your newly purchased product correctly and efficiently.

NO.	PART LIST		Q'TY
A	UPH STORAGE BENCH		1 Pc



LEVELER (x6)

The levelers are pre-assembled, adjust leveler to firmly touch the floor.

