

ROOMS TO GO

Manufactured for Rooms to Go.
ALFI

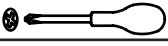
Assembly Instructions

KJLV117 - 33073191 - 7319-117 LUMA VISTA CHEST WHITE GLOSS

Component List

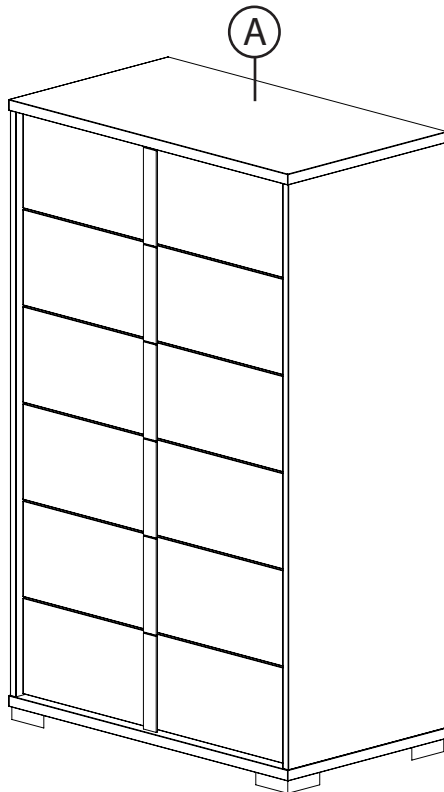
No	Descriptions	Qty
A	Chest	1

Tools List

Descriptions	
Screwdriver 	Not provided

CHEST Hardware List

No	Descriptions	Qty
1	Foot 	4
2	TPS Screw M4x25mm 	4

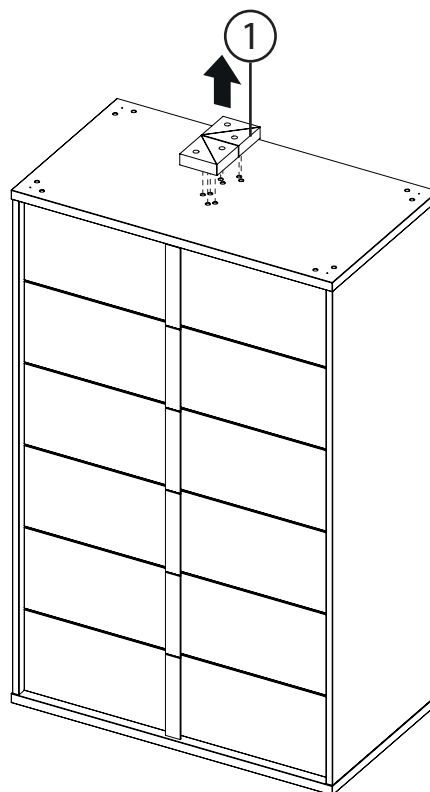


Hardware Pack Location(s):

KJLV117 - 33073191 - 7319-117 LUMA VISTA CHEST WHITE GLOSS

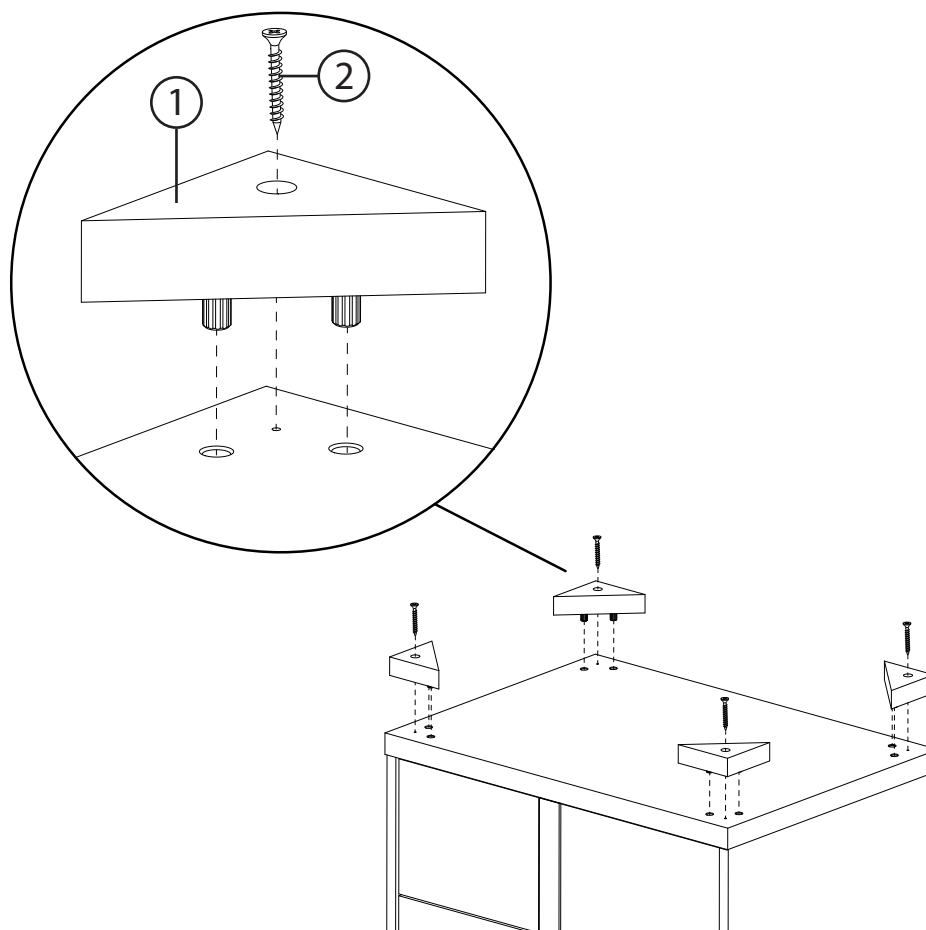
STEP 1.1

STEP 1.1: Remove the feet (1) from the bottom panel of the chest



STEP 1.2

STEP 1.2: Fix the feet (1) to the bottom panel of the furniture by tightening the screws (2)



ROOMS TO GO

Manufactured for Rooms to Go.
ALFI




Assembly Instructions

KJLV117 - 33073191 - 7319-117 LUMA VISTA CHEST WHITE GLOSS


Component List

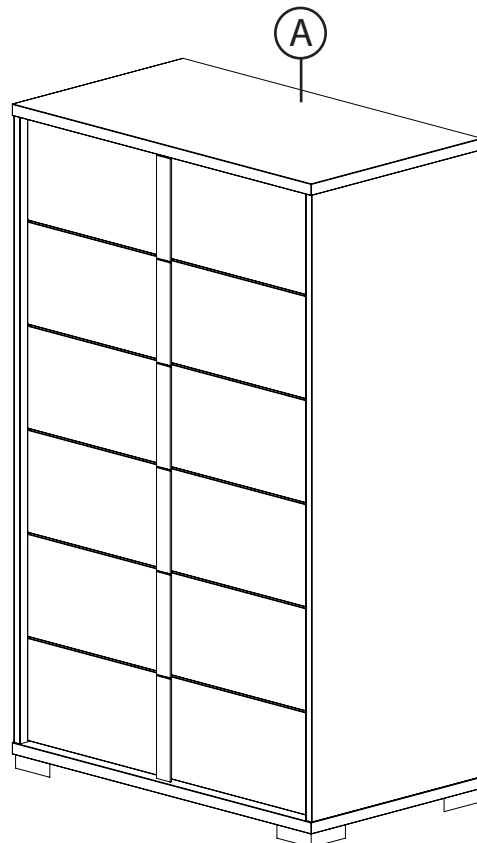
No	Descriptions	Qty
A	Chest	1

Hardware List

No	Descriptions	Qty
1	Metal Bracket 	2
2	TBL Screw M4x30mm 	1
3	Cable Tie 	1

Tools List

Descriptions	
Screwdriver 	Not provided

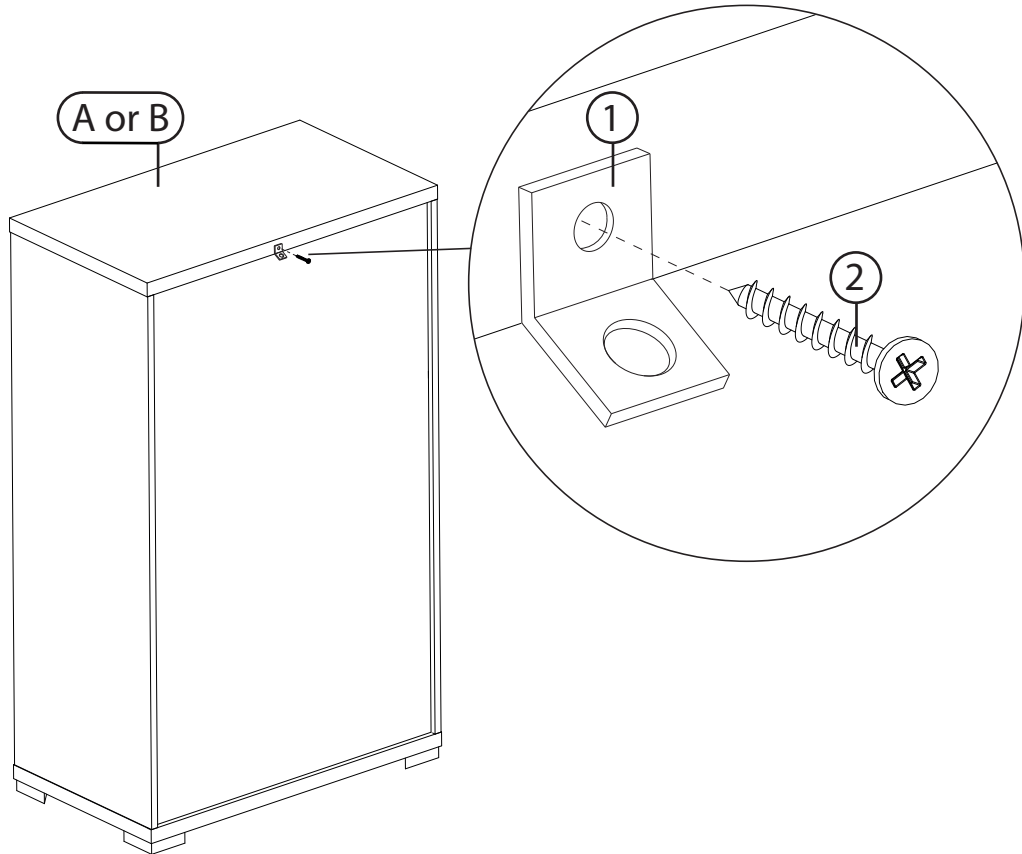


Hardware Pack Location(s):

KJLV117 - 33073191 - 7319-117 LUMA VISTA CHEST WHITE GLOSS

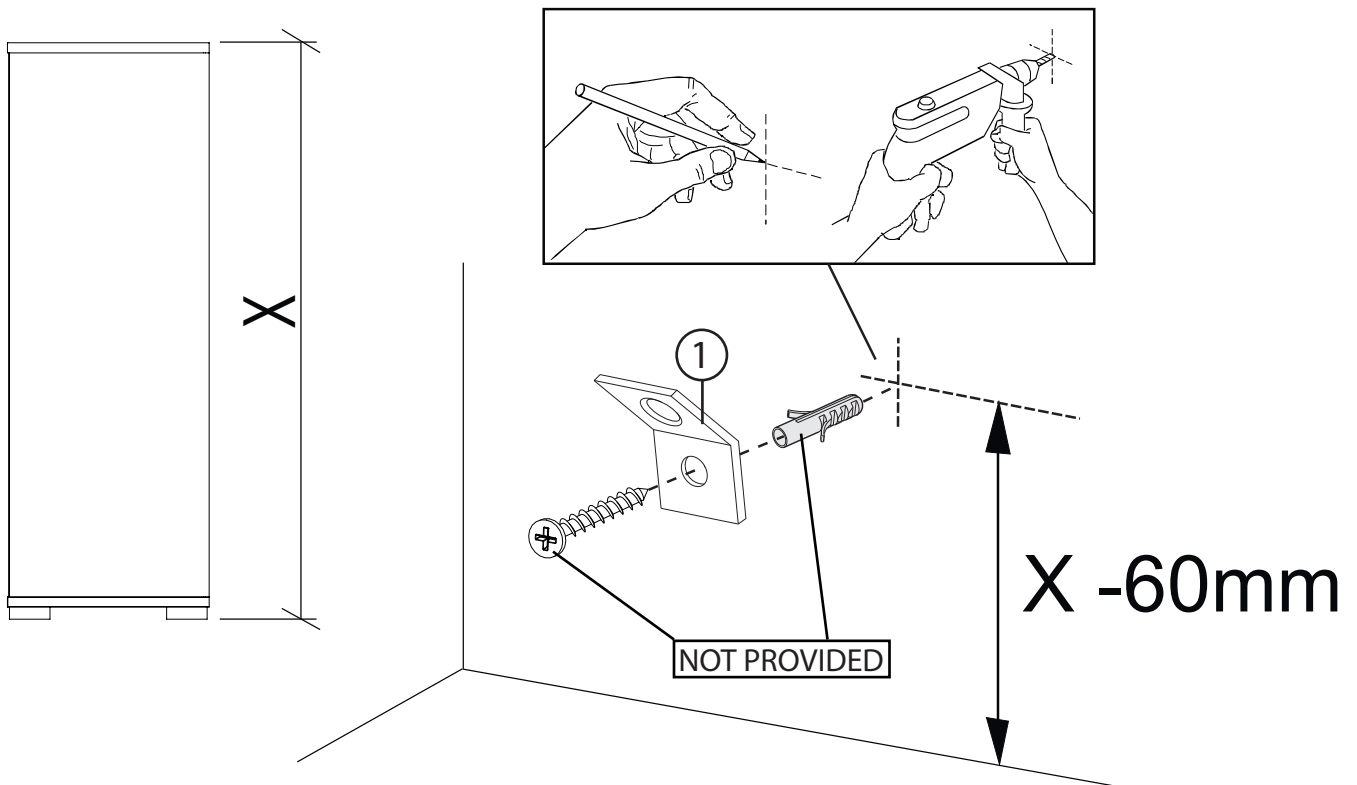
STEP 1.1

STEP 1.1: Fix the metal bracket (1) to the back of the top panel of the furniture by tightening the screw (2)



STEP 1.2

STEP 1.2: Before fixing the second metal bracket (1) to the wall, drill a hole in the wall 60mm lower than the total height of the furniture. Then fix the second metal bracket using the screw and the dowel (which are not provided).



STEP 1.3

STEP 1.3: Use the cable tie (3) to bind the two metal brackets and secure the furniture to the wall

