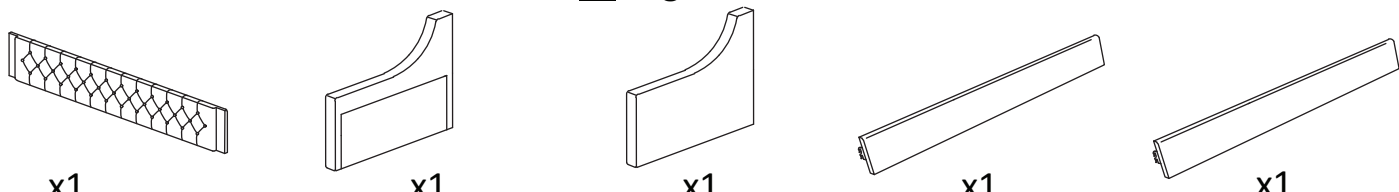
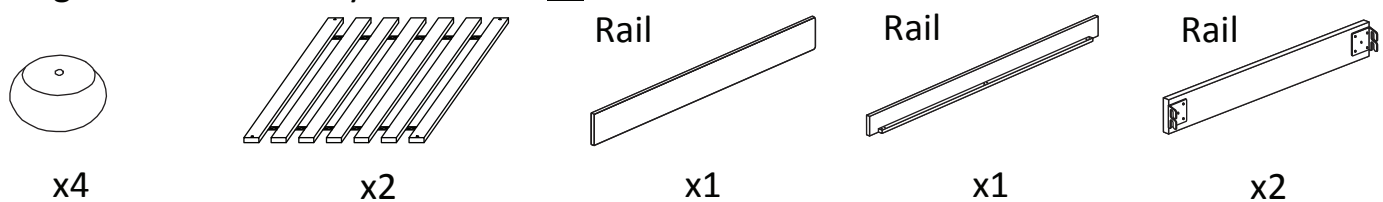


**ASSEMBLY INSTRUCTION**  
**SH9932BGE-A/B & SH9932BLU-A/B & SH9932GRY-A/B &**  
**SH9932DGR-A/B & SH9932PNK-A/B**

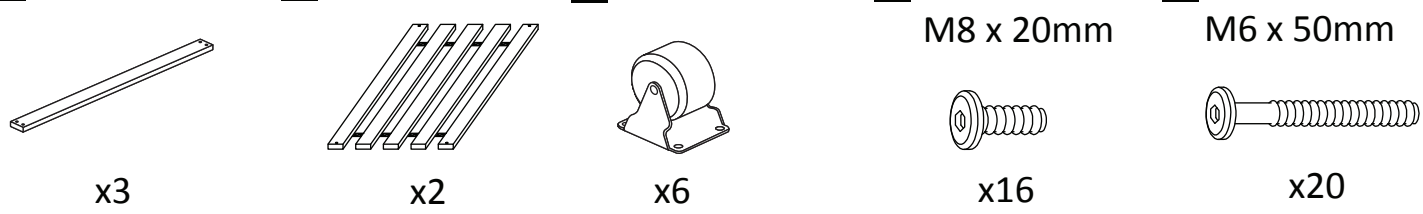
**1** Back Rest      **2** Left Arm      **3** Right Arm      **4** Front Side Rail      **5** Back Side Rail



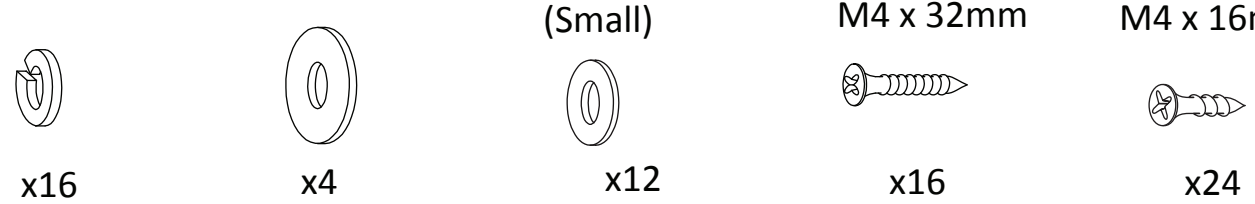
**6** Legs      **7** Daybed Slat      **8** Trundle Front Rail      **9** Trundle Back Rail      **10** Trundle Side Rail



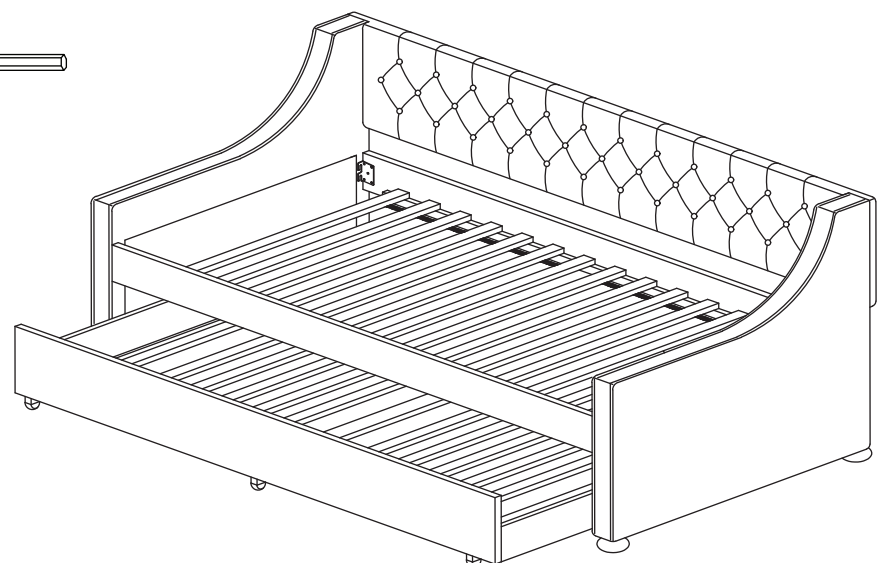
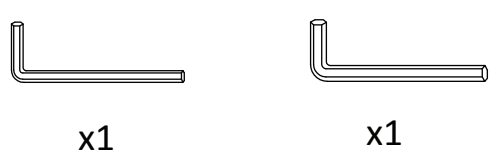
**11** Slats      **12** Trundle Slat      **13** Castors      **A** Bolts M8 x 20mm      **B** Bolts M6 x 50mm



**C** Lock Washers      **D** Flat Washers      **E** Flat Washers (Small)      **F** Screws M4 x 32mm      **G** Screws M4 x 16mm



**H** Allen Key M4 x 65mm      **I** Allen Key M5 x 65mm

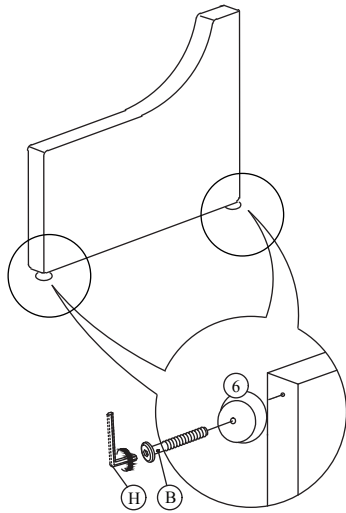


This page lists all the contents included in the box. Please take the time to identify the hardware as well as the individual components to this product. As you unpack and prepare for assembly, place the contents on a carpeted or padded area to protect them from damage.

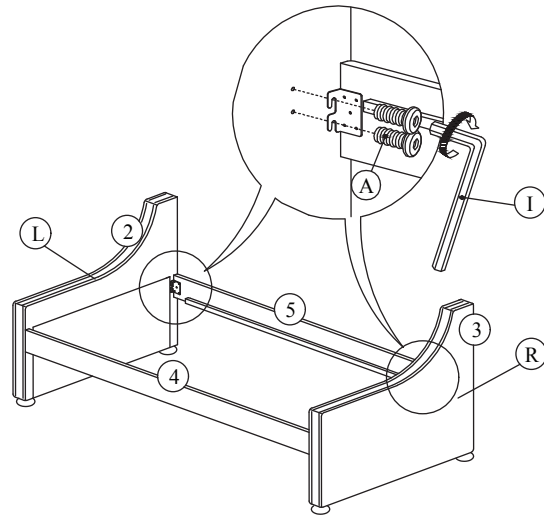
# ASSEMBLY INSTRUCTION

## SH9932BGE-A/B & SH9932BLU-A/B & SH9932GRY-A/B & SH9932DGR-A/B & SH9932PNK-A/B

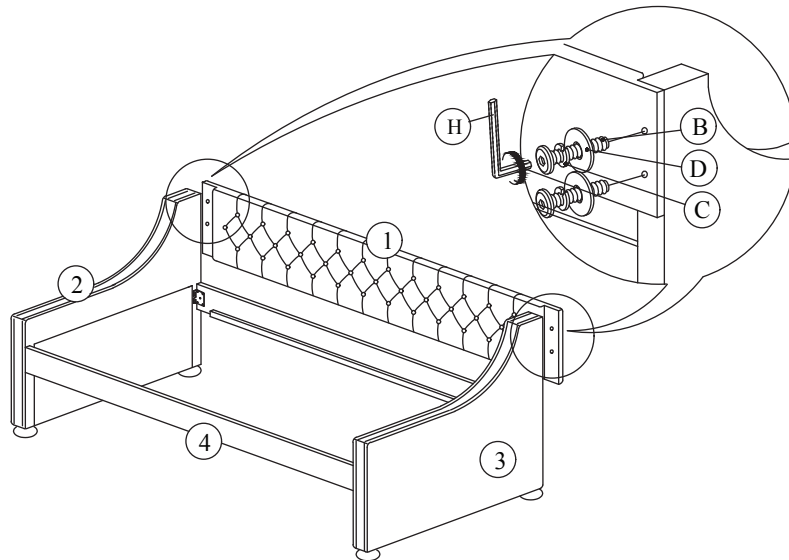
**1** Begin assembly by attaching each Leg (6) to the bottom of the Left Arm (2) & Right Arm (3) securing with 2 Allen Bolt (B) per panel.



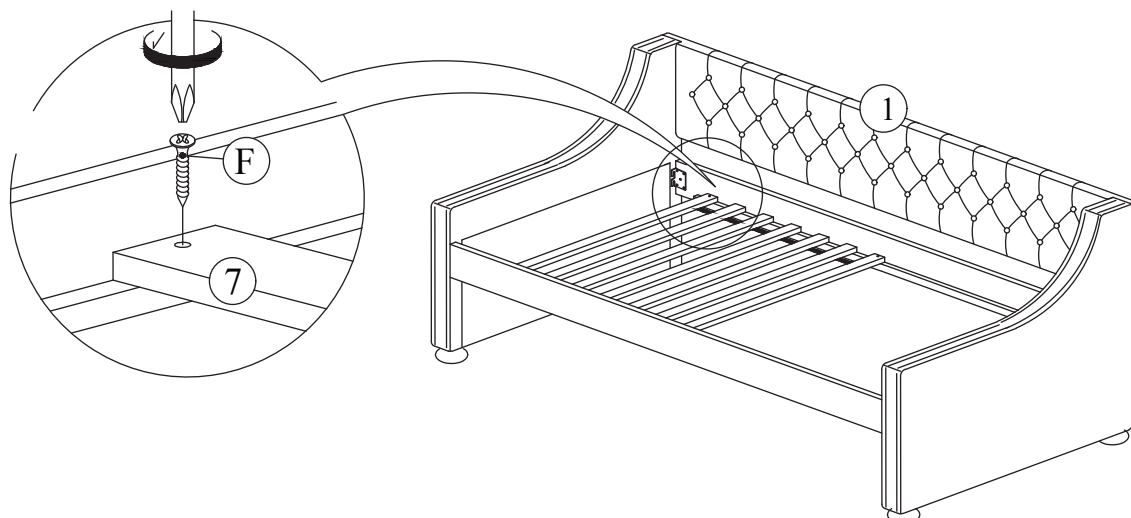
**2** Attach the Front Rail (4) and Back Rail (5) to the Left Arm (2) & Right Arm (3) aligning holes and securing with 2 Allen Bolts (A) per each end. (DO NOT FULLY TIGHTEN BOLTS FOR THIS STEP)



**3** Attach the Back Rest (1) to the back of Left Arm (2) & Right Arm (3) by aligning the hole and securing with 2 Allen Bolt (B), 2 Spring Washer (D), 2 Flat Washer (C) from the back side per each end. (DO NOT FULLY TIGHTEN BOLTS FOR THIS STEP)



**4** Tighten all bolts from STEP 2 using the Allen Wrench (I) that has been provided. Now only tighten bolts for STEP 3 using Allen Wrench (H). Attach Slat (7) to Front Rail (4) and Back Rail (5) by unrolling and securing with 4 Wood Screws (F) 2 per each side. Tighten all screws using philips head screwdriver (not included)



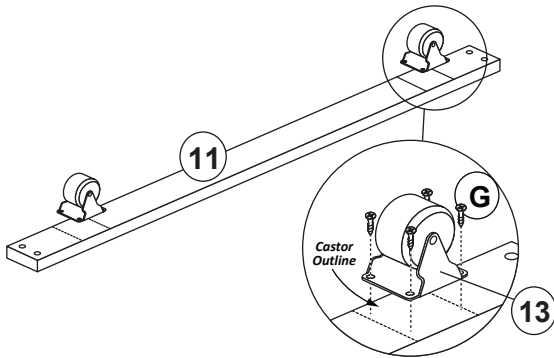
### Cleaning & Care

Treat surface with care. Surface is resistant to scratches but is not scratch resistant. Clean surfaces with a dry or damp soft cloth. Do not use abrasive cleaners. Hardware may loosen over time. Periodically check that all connections are tight.

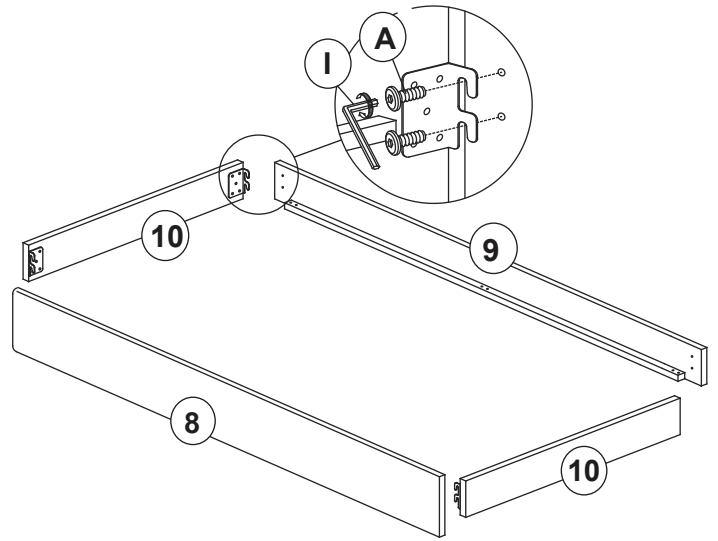
# ASSEMBLY INSTRUCTION

## SH9932BGE-A/B & SH9932BLU-A/B & SH9932GRY-A/B & SH9932DGR-A/B & SH9932PNK-A/B

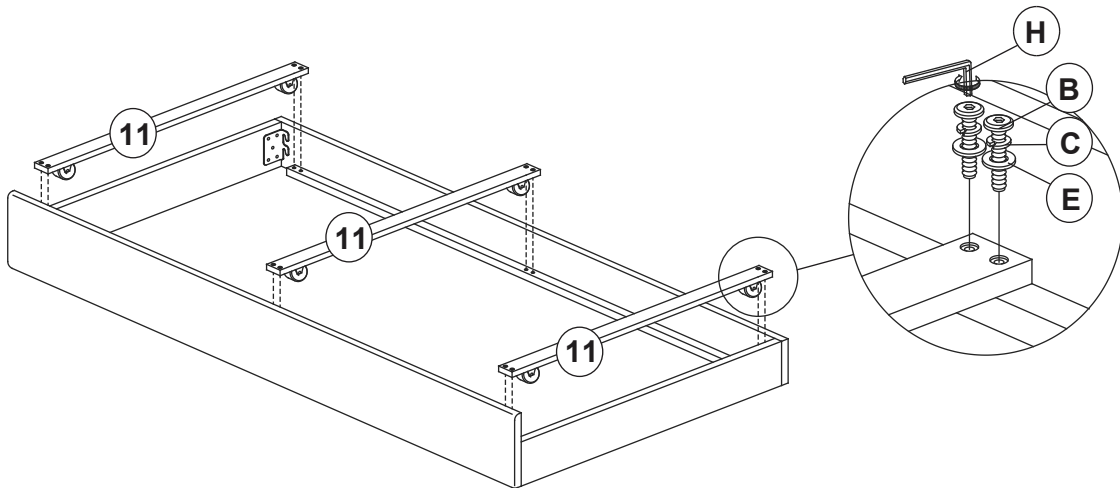
**1** Begin assembly by tracing around the Castors (13) on to the Slats (11). Secure Castors (13) to Slats (11) using 4 Wood Screws (G) per castor. Tighten screws with Philips screwdriver (not included).



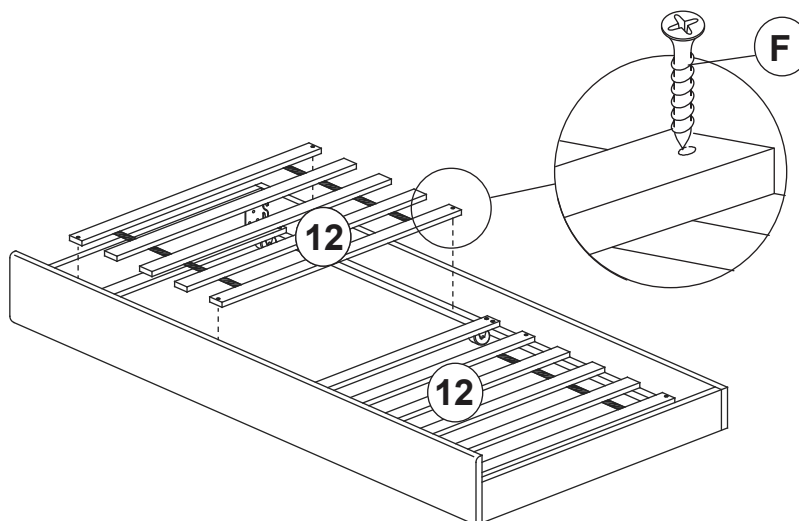
**2** Attach Side Rails (10) to Front Rail (8) and Back Rail (9) using 2 Bolts (A) per corner. Tighten bolts with Allen Key (I) provided.



**3** Attach Slats (11) to Front Rail (8) and Back Rail (9) using 2 Bolts (B), 2 Spring Washers (C) and 2 Flat Washers (E) on each end of each Slat (11).



**4** Attach Slat Sets (12) to Front Rail (8) and Back Rail (9) using 4 Screws (F) per set. Tighten screws with Philips screwdriver (not included).



### Cleaning & Care

Treat surface with care. Surface is resistant to scratches but is not scratch resistant. Clean surfaces with a dry or damp soft cloth. Do not use abrasive cleaners. Hardware may loosen over time. Periodically check that all connections are tight.