

ASSEMBLY INSTRUCTIONS

GROUP NO: SH9940 DAYBED

ITEM NO : SH9940PNK - UPH FABRIC PINK DAYBED









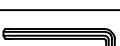

SH9940DG - UPH FABRIC DARK GREY DAYBED


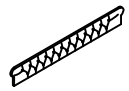


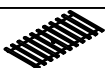



SH9940GY - UPH FABRIC GREY DAYBED

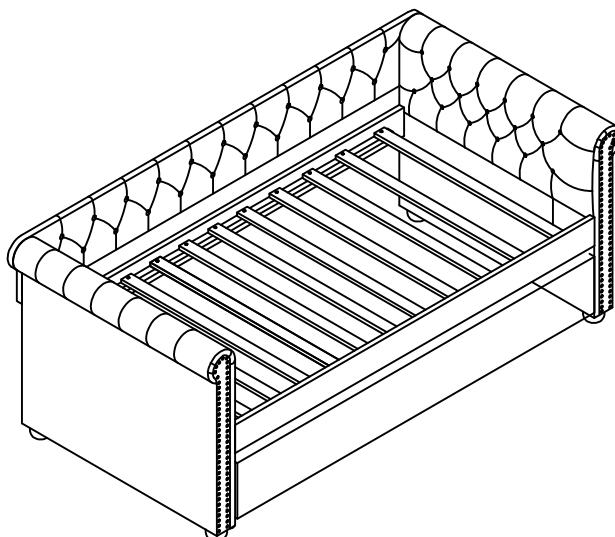
SH9940BE - UPH FABRIC BEIGE DAYBED

Thank you for purchasing this product. Please take time to read and follow the instructions below. Check that you have all parts and hardware before assembly. Parts apparently missing are often found in the packing materials. If you do not have all the parts listed, have your dealer contact us and they be sent to you immediately.

▲ It is recommended to install protective pads under all legs and supports to avoid damage or scratches when placing furniture on a wood floor or other hard surface, and to limit indentation and prevent discoloration if placing on carpet.

HARDWARE LIST FOR DAYBED:				
No.	Description	Sketch	Size	Quantity
A	Allen Bolt		Ø5/16" x 50mmL	4 PCS
B	Spring washer		Ø5/16"	4 PCS
C	Flat washer		Ø5/16" x 19mm	4 PCS
D	Allen Key		4mm	1 PC
E	Screw		4" x 30mmL	22 PCS
HARDWARE LIST FOR TRUNDLE:				
No.	Description	Sketch	Size	Quantity
F	Allen Bolt		Ø5/16" x 38mmL	8 PCS
G	Spring washer		Ø5/16"	8 PCS
H	Flat washer		Ø5/16" x 19mm	8 PCS
I	Allen Key		4mm	1 PC
J	Screw		4" x 30mmL	22 PCS

PARTS LIST:			
No.	Description	Sketch	Quantity
1	Arms R/L		2 PCS
2	Back Panel		1 PC
3	Side Rail		2 PCS
4	Slat Roll (Top)		1 Set
5	Slat Roll (Base)		1 Set
6	Trundle Front Panel		1 PC
7	Trundle Back Panel		1 PC
8	Trundle Left & Right Panel		2 PCS



Assembly Complete

ASSEMBLY INSTRUCTIONS

GROUP NO: SH9940 DAYBED

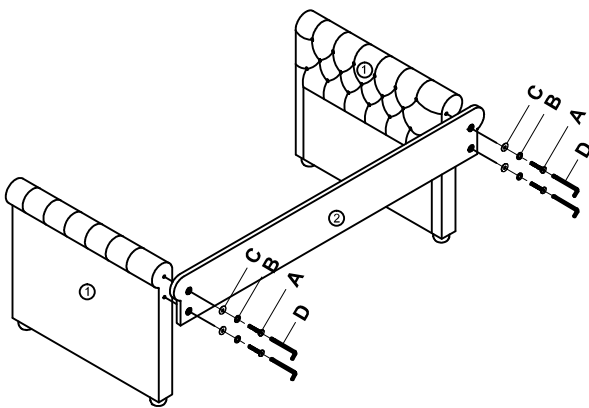
ITEM NO : SH9940PNK - UPH FABRIC PINK DAYBED

SH9940DG - UPH FABRIC DARK GREY DAYBED

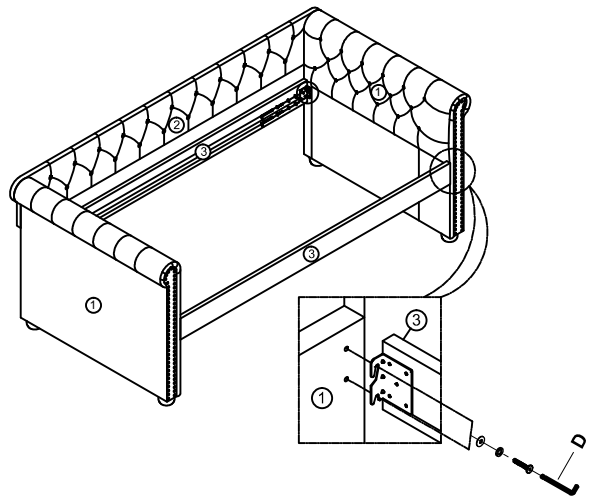
SH9940GY - UPH FABRIC GREY DAYBED

SH9940BE - UPH FABRIC BEIGE DAYBED

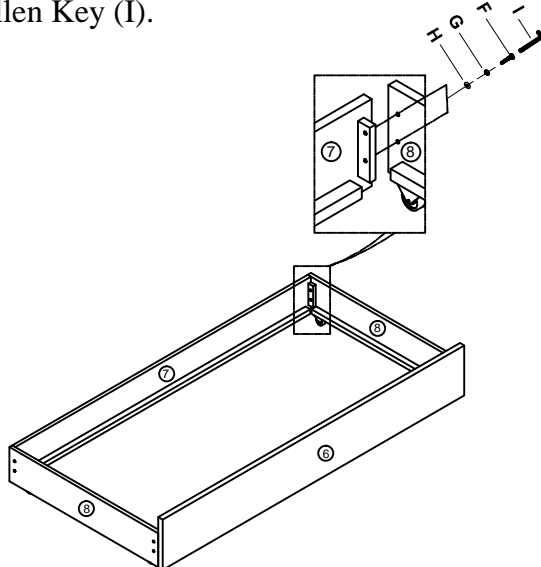
STEP 1 : Attach Back Panel (2) to Arms (1) by using Allen Bolt (A), Spring Washer (B), Flat Washer (C) and Allen Key (D).



STEP 2 : Remove the Allen bolt, Spring Washer & Flat Washer which attached on Arms (1) first, then attach Side Rail (3) to Arms (1) by using Allen Key (D), Allen Bolt, Spring Washer & Flat Washer.



STEP 3 : Attach Trundle Left & Right Panel (8) to Trundle Front Panel (6) and Trundle Back Panel (7), by using Allen Bolt (F), Spring Washer (G), Flat Washer (H) and Allen Key (I).



STEP 4 : Attach Slats Roll (Top) (4) to Side Rail (3) and Slats Roll (Base) (5) to Trundle Front Panel (6) and Trundle Back Panel (7) by using Screw (E;J) and Screw Driver.

