



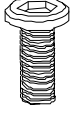
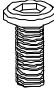

# ASSEMBLY INSTRUCTION

GBHS

1708-11NN - 6 DRAWER DRESSER

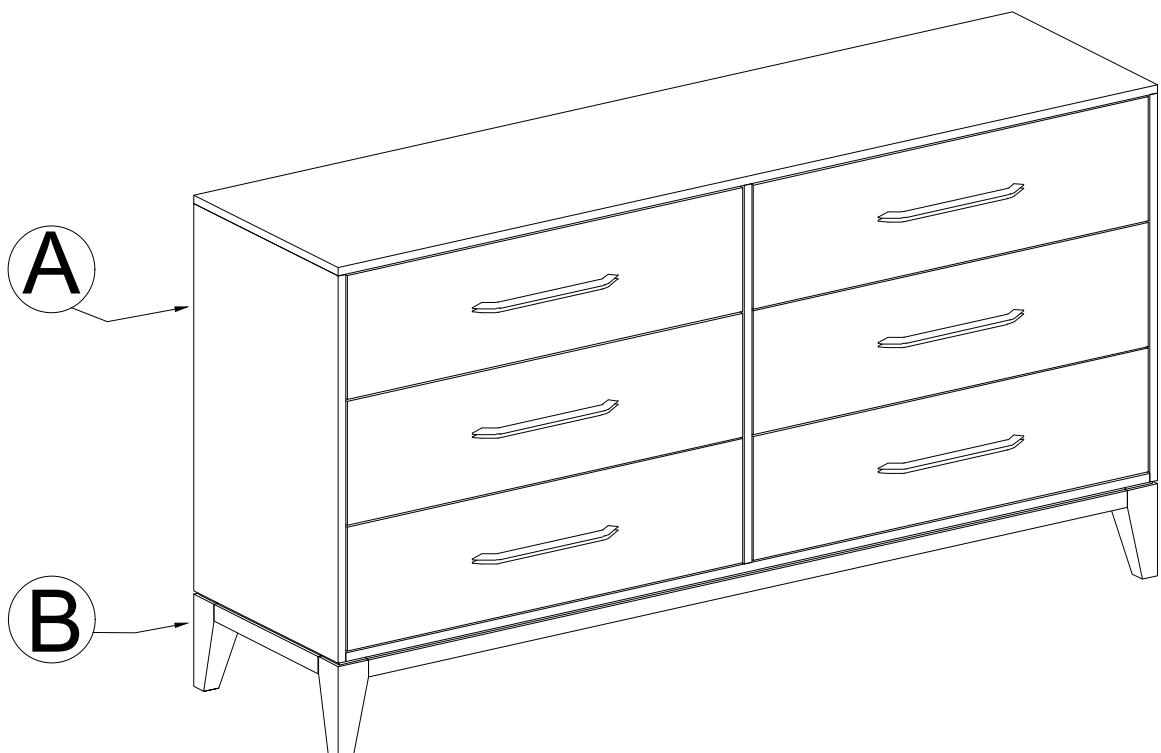
SKU# 33117284

THANK YOU FOR PURCHASING THIS QUALITY PRODUCT. BE SURE TO CHECK ALL PACKING MATERIAL CAREFULLY FOR SMALL PARTS. WHICH MAY HAVE COME LOOSE INSIDE THE CARTON DURING SHIPMENT. IDENTIFY AND COUNT ALL PARTS AND COMPARE WITH THE HARDWARE LIST BELOW.

HARDWARE LIST	NO	PICTURE	DESCRIPTION	DIMENSION	QTY.
	1		WASHER	20 x 8mm	6 PCS
	2		SPRING WASHER	20 x 8mm	4 PCS
	3		ALLEN BOLT	8 x 45mm (Thread count - 32)	4 PCS
	4		BOLT	8 x 25mm (Thread count - 18)	2 PCS
	5		ALLEN KEY	5mm	1 PC

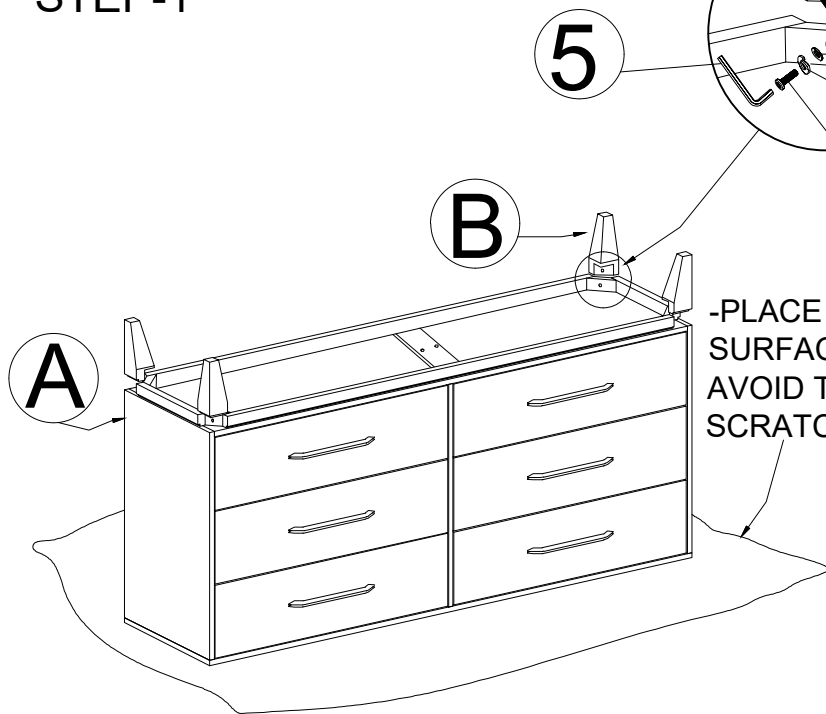
PARTS LIST	NO	DESCRIPTION	QTY.
	A	DRESSER	1 PC
	B	LEG	4 PCS
	C	SUPPORT LEG	1 PC

NOTES



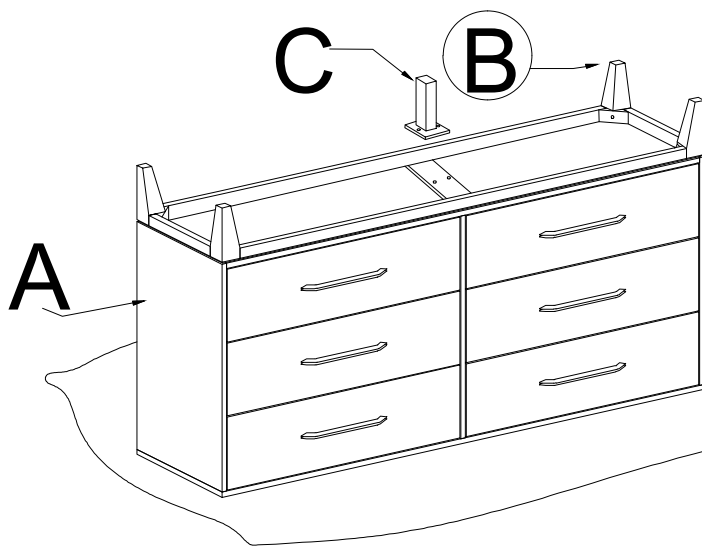
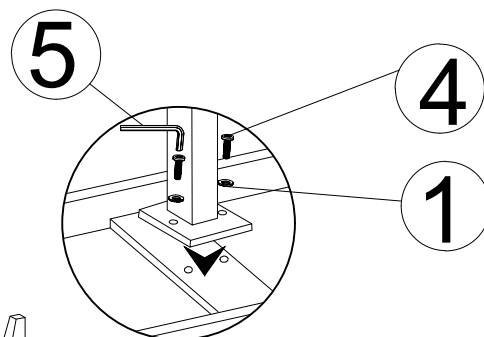
STEP-1

ASSEMBLE LEG TO THE DRESSER.



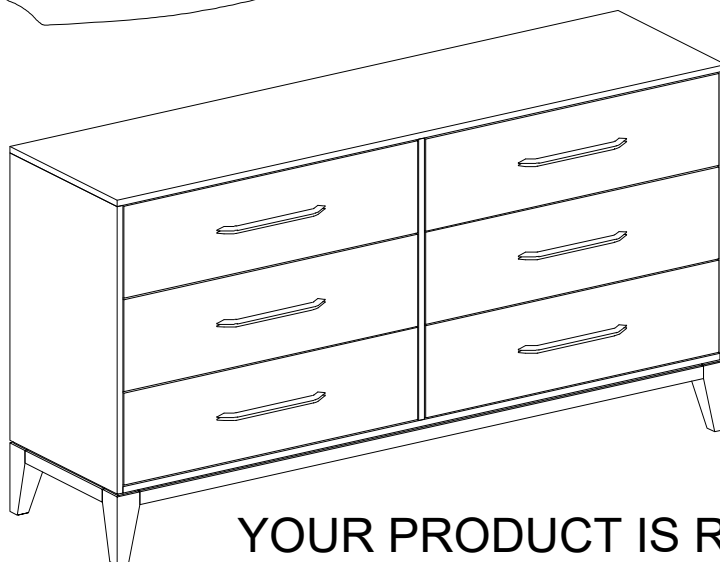
-PLACE DRESSER ON A CLEAN AND SMOOTH SURFACE SUCH AS A RUG OR CARPET TO AVOID THE DRESSER SURFACE FROM BEING SCRATCHED.

STEP-2



ASSEMBLE AS SHOWN

TURN THE PRODUCT



YOUR PRODUCT IS READY TO USE