



PNWD

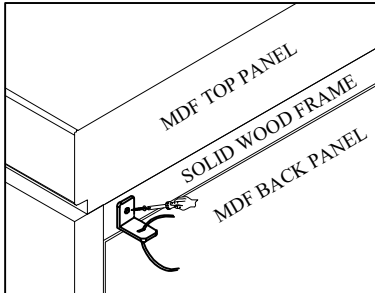
Assembly Instructions

1733-BUN BUREAU

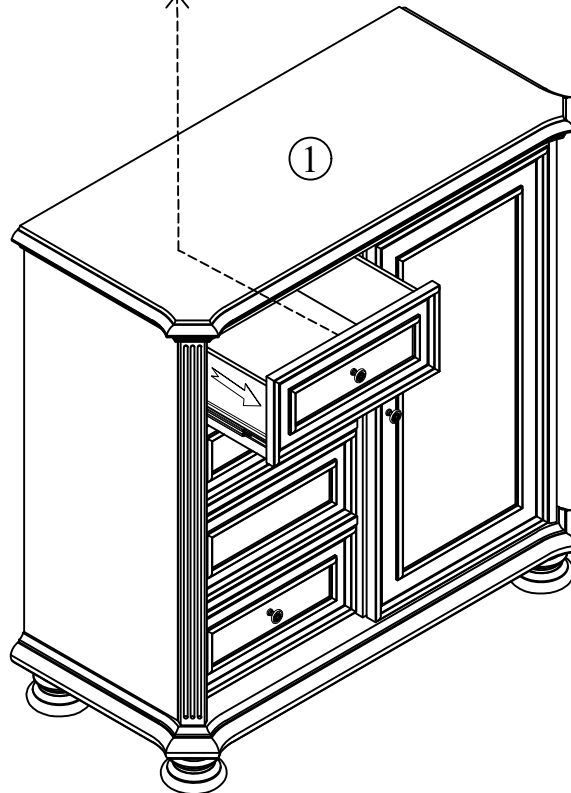
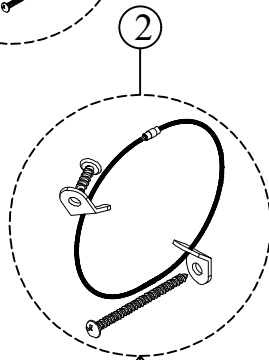
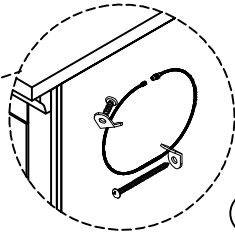
SKU# 33117347

Manufactured for
Rooms To Go

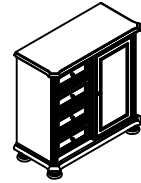
* Remarks: Tipping Restraint kit provided must be install to solid woodback frame only. Do not install to mdf top panel or MDF back panel.



Tool Required: Philip screwdriver
(not provided)



PARTS LIST



1. Door Chest - 1 Pc



2. Anti-tip Restraint - 1 Pc

HARDWARE PACK LOCATION(S):

PNWD

1733-BUN BUREAU

SKU# 33117347