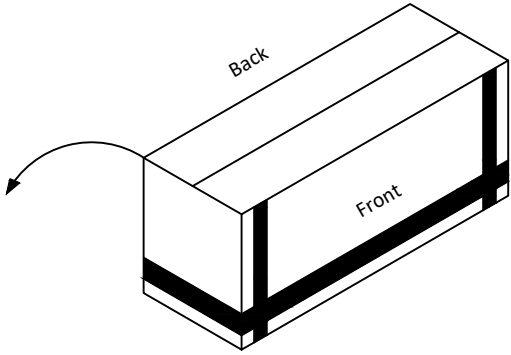
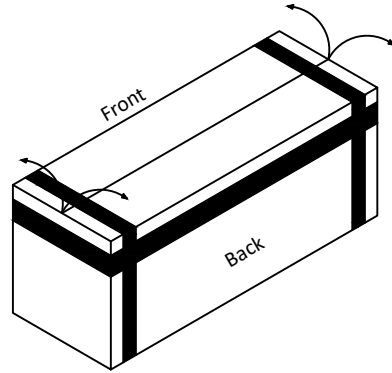


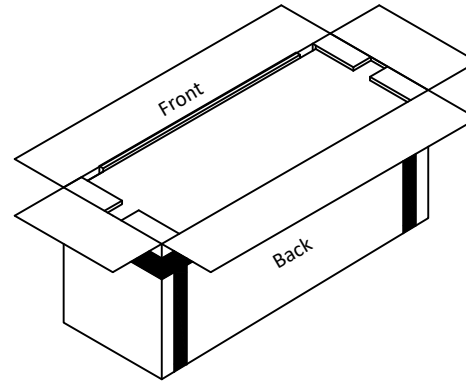
1 Rotate 90° twice counter-clockwise



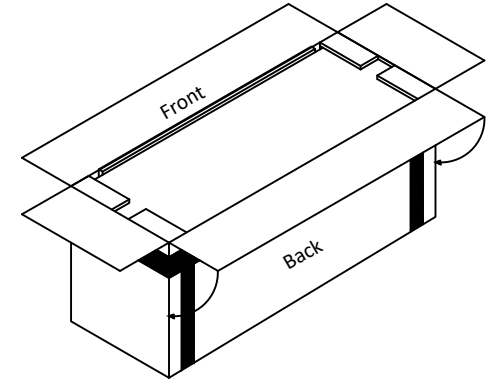
2 Open the carton using a cutter



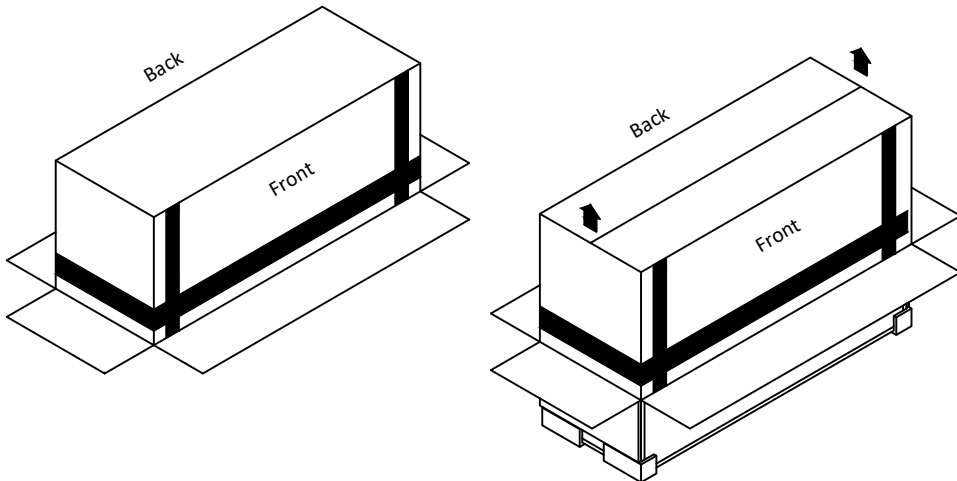
3 Open the carton fold



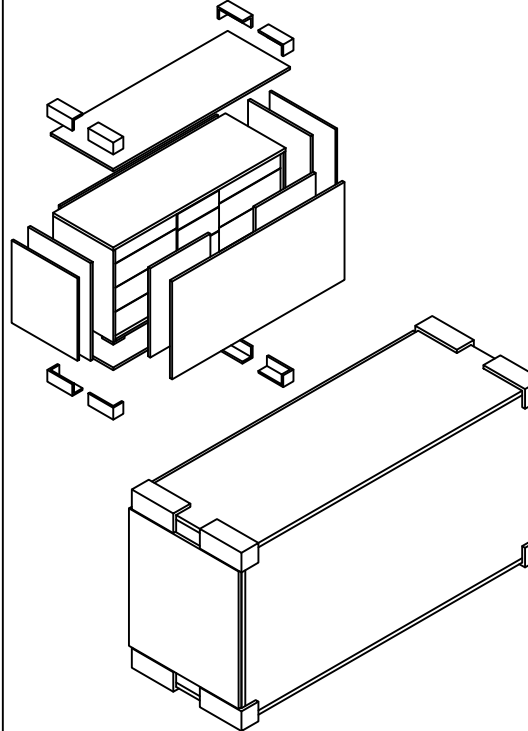
4 Rotate 90° twice -clockwise



5 Lift the carton off



6 Remove all the packaging



Dresser ready to work

