

Assembly Instructions

6020-1N Dresser
6020-2 Mirror



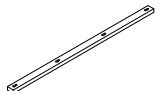
SKU 33160209
SKU 32260200

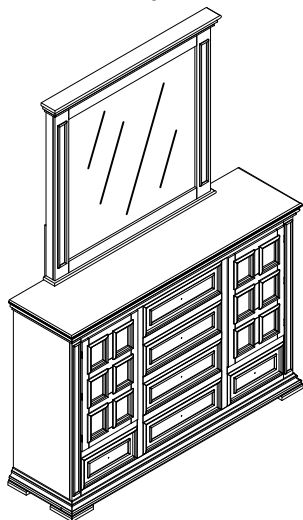
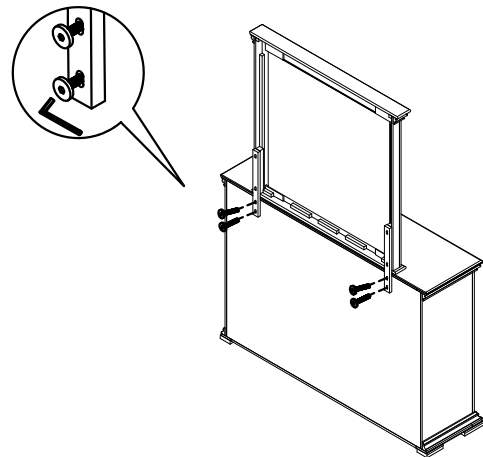
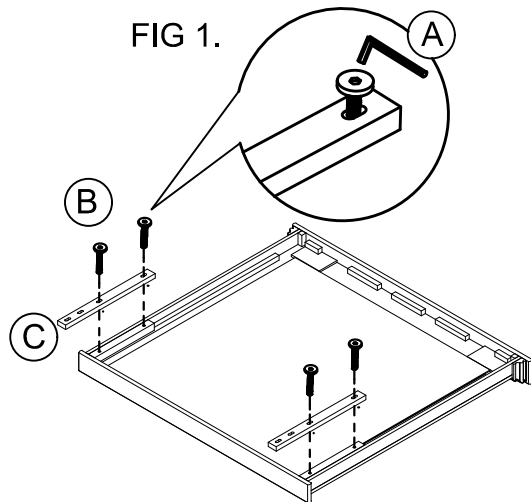
This product is manufactured by HLLC for

ROOMS TO GO 

Step 1.- Place the mirror (face down) on a non scratching surface. With the two wooden supports on place, screw the four bolts (as pictured).

Step 2.- Place the mirror over the dresser, then center and screw the four bolts. Tighten the bolts just with the allen key provided.

QUANTITY	DESCRIPTION	
1	ALLEN SCREW	
2	ALLEN KEY	
2	BACK SUPPORT	



WARNING: _____

Only use the allen key to tighten the bolts
do not use electrical tools.

Check every three months the bolts and
and reighten if necessary.