


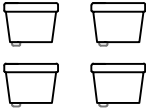

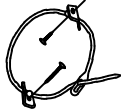


ASSEMBLY INSTRUCTIONS



SLAW 135-6559-010N DRESSER

SKU # 33165590

PARTS LIST :

No.	Description	Sketch	Quantity
1	Dresser		1 Pc
2	Legs		4 Pcs
3	Center Leg		1 Pc
4	Tipping restraint		1 Set

HARDWARE LIST :

No.	Description	Size	Sketch	Quantity
A	JCBC Bolt	M6 x P1.0 x 40MM		8 Pcs
	Spring Washer	M6		
	Flat Washer	M6		
B	Allen Key	4 x 65MM		1 Pc



Hardware Pack Location (s) : Bolts pack inside bottom drawer (Leg inner carton)
Dresser
SKU # 33165590



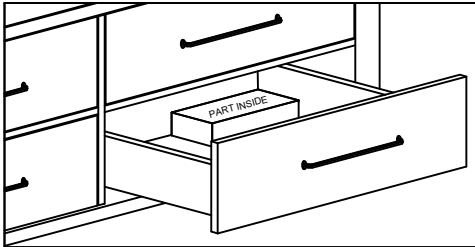
ASSEMBLY INSTRUCTIONS

SLAW 135-6559-010N DRESSER

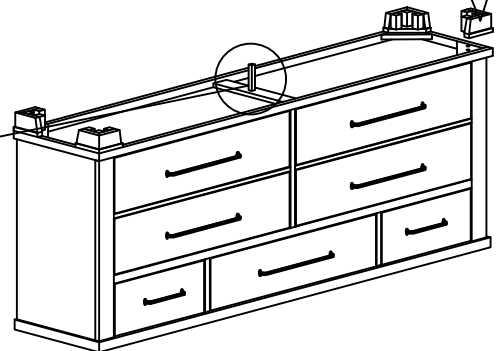
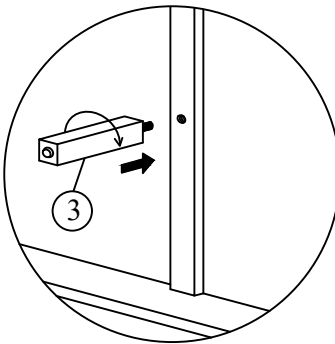
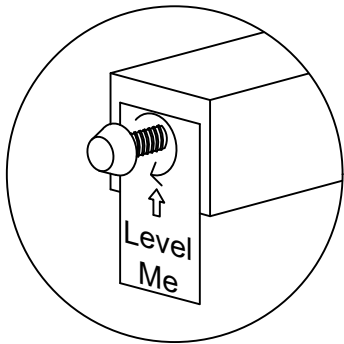
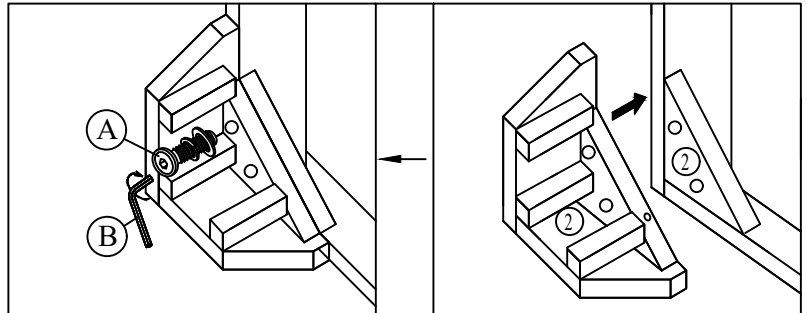
SKU # 33165590

*** Caution : Please read all instructions carefully before starting the assembly process. These parts are cumbersome and heavy. Therefore, two people are recommended in order to prevent personal injury and insure the parts are not damaged during the assemble.

STEP 1: Fasten The Leg and Center Leg As Shown.



HARDWARE & LEGS (PACKED INSIDE DRAWER)



STEP 2:

Affix Tipping Restrain to wall behind Dresser

