

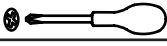
# ROOMS TO GO


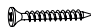
Manufactured for Rooms to Go.  
ALFI

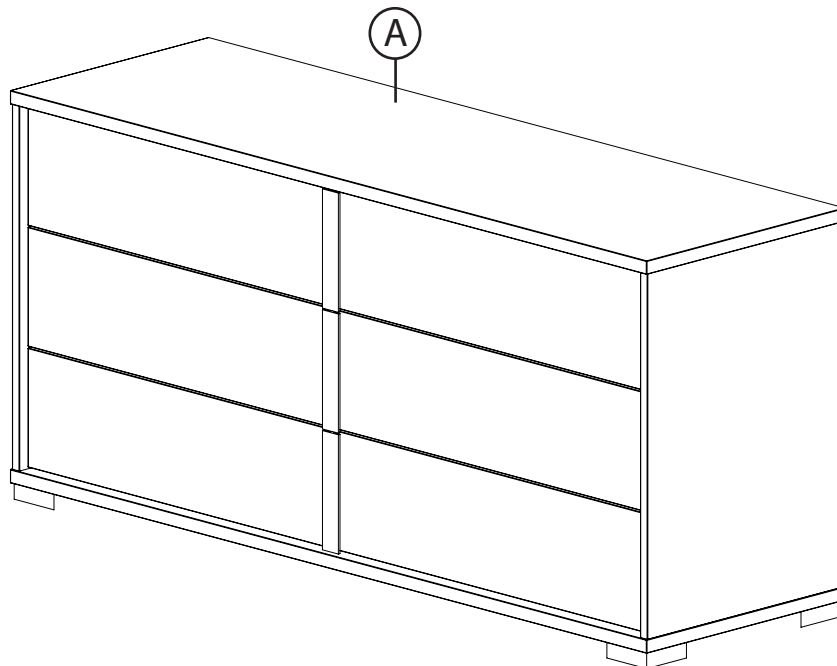
# Assembly Instructions

KJLV125 - 33173193 - 7319-125 LUMA VISTA DRESSER WHITE GLOSS

Component List		
No	Descriptions	Qty
A	Dresser	1

Tools List		
Descriptions		
Screwdriver		Not provided

DRESSER Hardware List			
No	Descriptions		Qty
1	Foot 		5
2	TPS Screw M4x25mm 		5

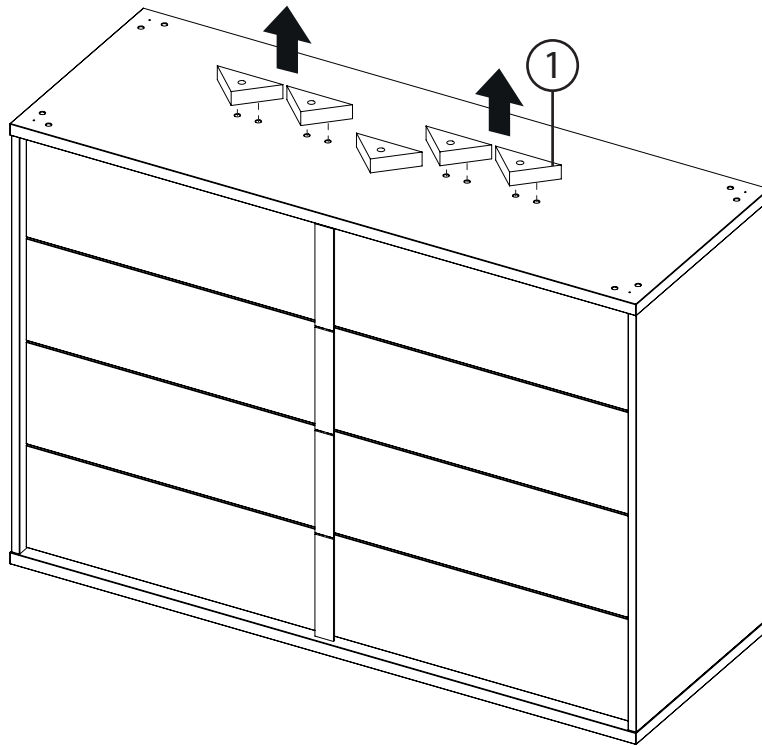


## Hardware Pack Location(s):

KJLV125 - 33173193 - 7319-125 LUMA VISTA DRESSER WHITE GLOSS

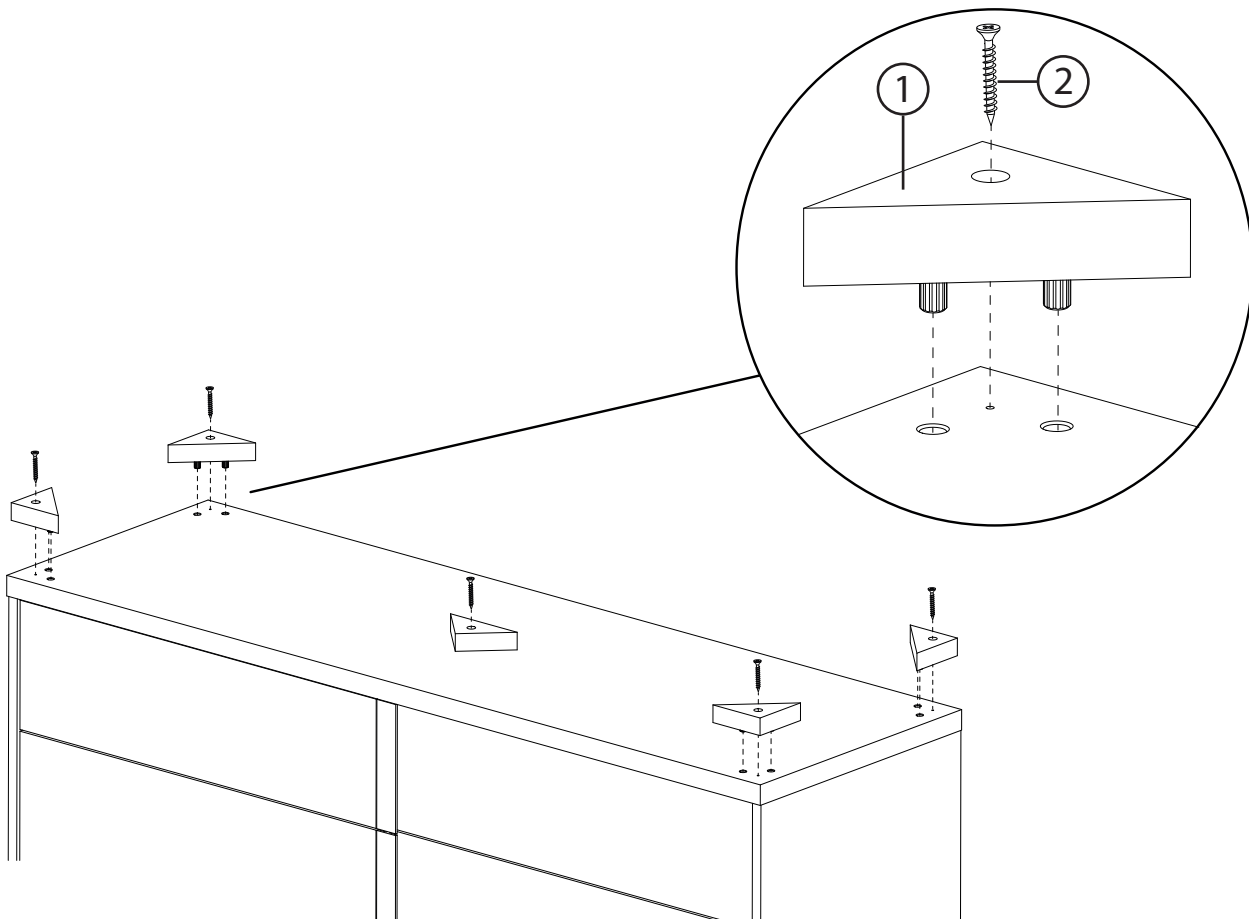
## **STEP 1.1**

**STEP 1.1:** Remove the feet (1) from the bottom panel of the dresser



## **STEP 1.2**

**STEP 1.2:** Fix the feet (1) to the bottom panel of the furniture by tightening the screws (2)



# ROOMS TO GO

Manufactured for Rooms to Go.  
ALFI

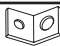
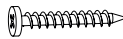

# Assembly Instructions

KJLV125 - 33173193 - 7319-125 LUMA VISTA DRESSER WHITE GLOSS

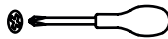
## Component List

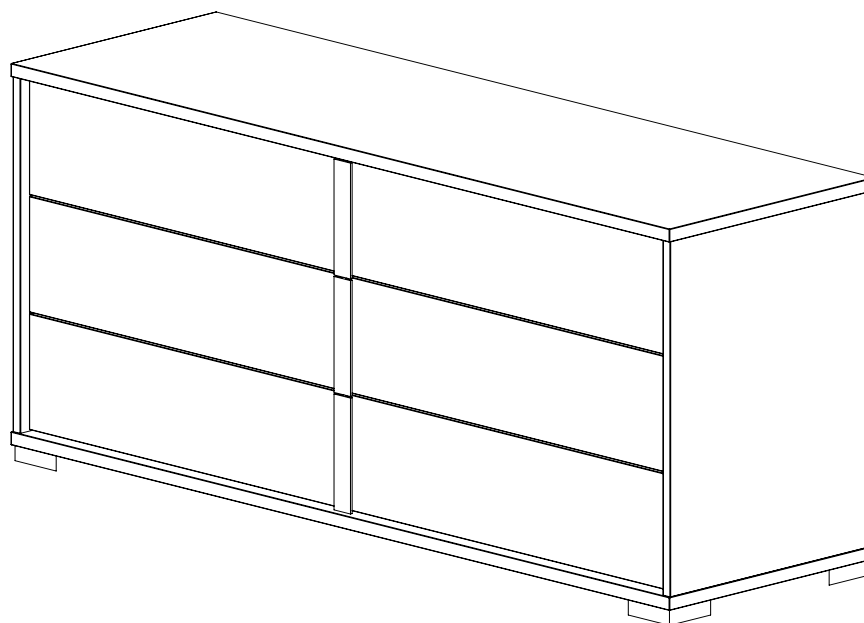
No	Descriptions	Qty
A	Dresser	1

## Hardware List

No	Descriptions	Qty
1	Metal Bracket 	2
2	TBL Screw M4x30mm 	1
3	Cable Tie 	1

## Tools List

Descriptions	
Screwdriver 	Not provided

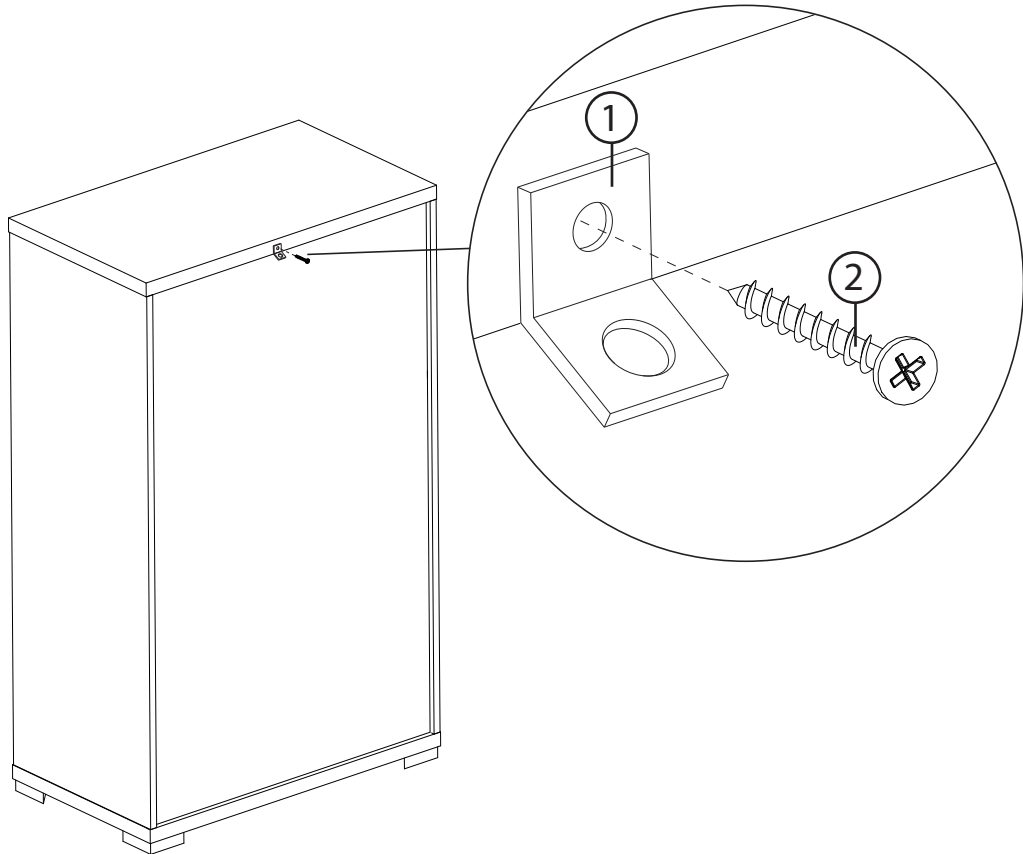


## Hardware Pack Location(s):

KJLV125 - 33173193 - 7319-125 LUMA VISTA DRESSER WHITE GLOSS

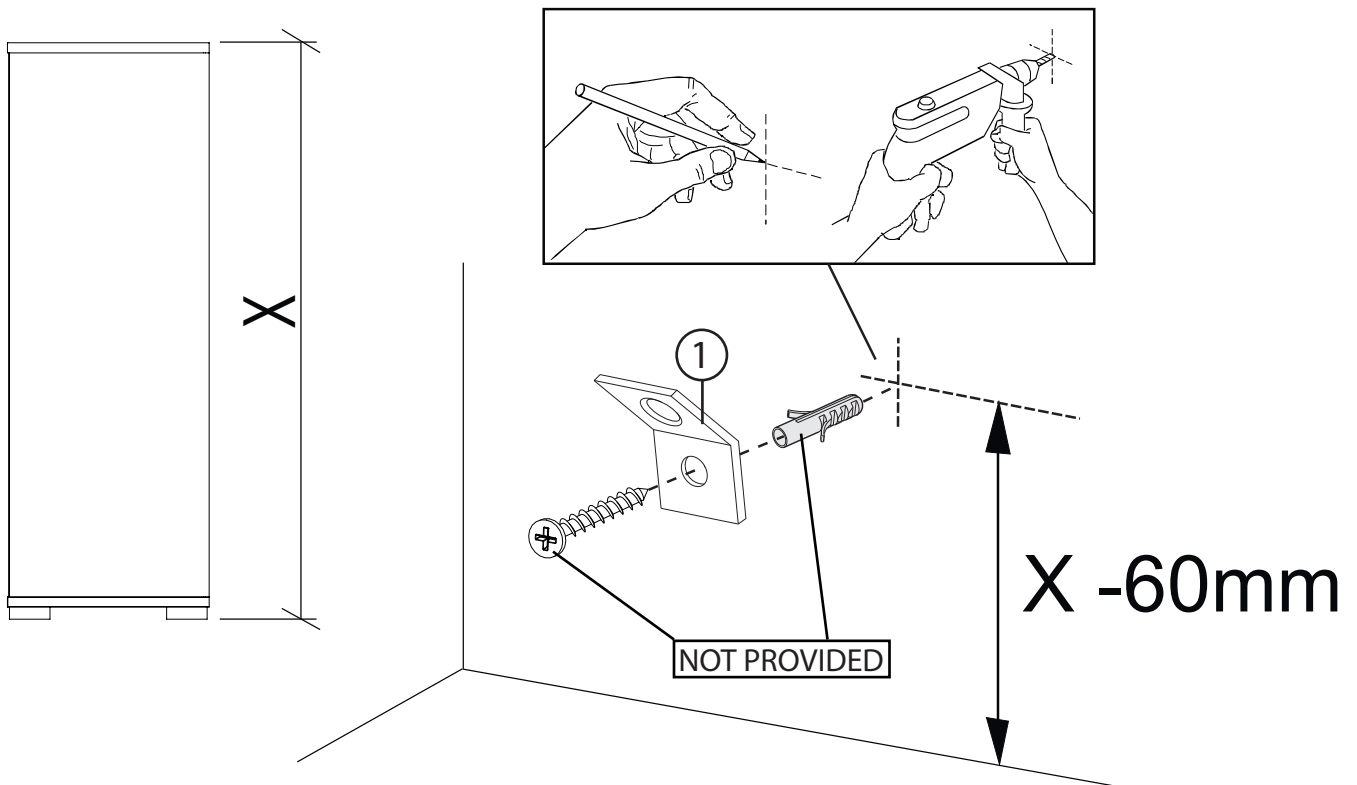
## **STEP 1.1**

**STEP 1.1:** Fix the metal bracket (1) to the back of the top panel of the furniture by tightening the screw (2)



## **STEP 1.2**

**STEP 1.2:** Before fixing the second metal bracket (1) to the wall, drill a hole in the wall 60mm lower than the total height of the furniture. Then fix the second metal bracket using the screw and the dowel (which are not provided).



## **STEP 1.3**

**STEP 1.3:** Use the cable tie (3) to bind the two metal brackets and secure the furniture to the wall

