






# Assembly Instructions

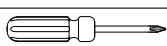
HMIS B9500-50N DRESSER SKU #: 33195036

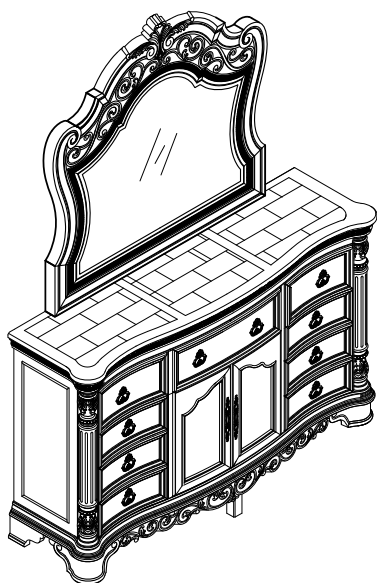
HMIS B9500-55 MIRROR SKU #: 32295037

\*\*\*Caution: Please read all instructions carefully before starting the assembly process. These parts are cumbersome and heavy. Therefore, two people are recommended in order to prevent personal injury and ensure the parts are not damaged during the assembly.

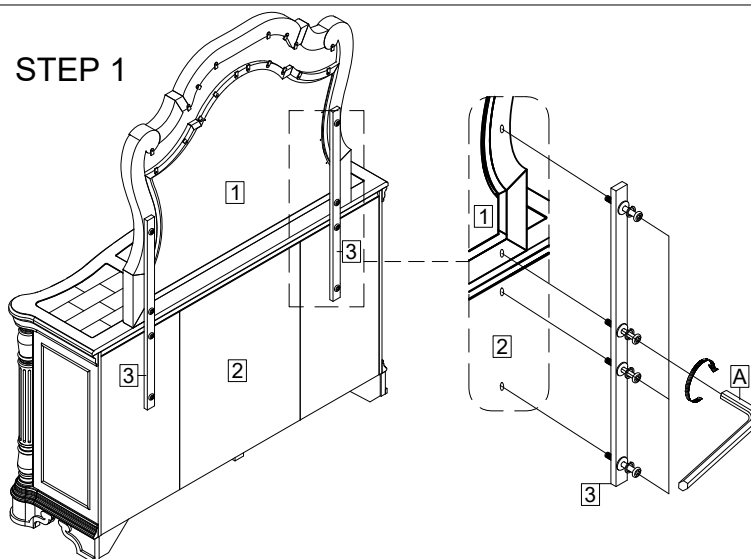
Code	PARTS LIST:		
1	Mirror		1Pc
2	Dresser		1Pc
3	Mirror support		2Pcs

Step	Code	Hardware List		
1	A	Allen Key - 4mm		1Pc
2	B	Furniture Tipping Restraint		1Set

TOOLS REQUIRED (NOT PROVIDED)	
Description	Sketch
Phillips screwdriver	

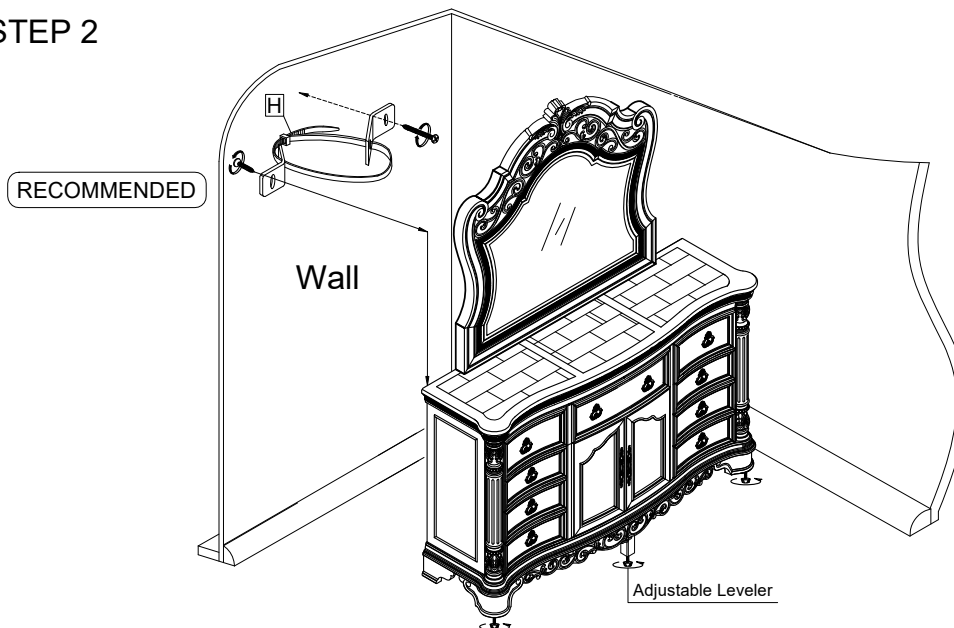


## STEP 1



**NOTE:** The Mirror support bolts are already pre-installed.  
Install the Mirror (1) onto the Dresser (2) with 2 Mirror support (3) from the back using allen key (A).

## STEP 2



Hardware Pack Location(S):  
HMIS B9500-55 MIRROR

SKU # 32295037

This product is manufactured by HMIS for

**ROOMS TO GO** ►