



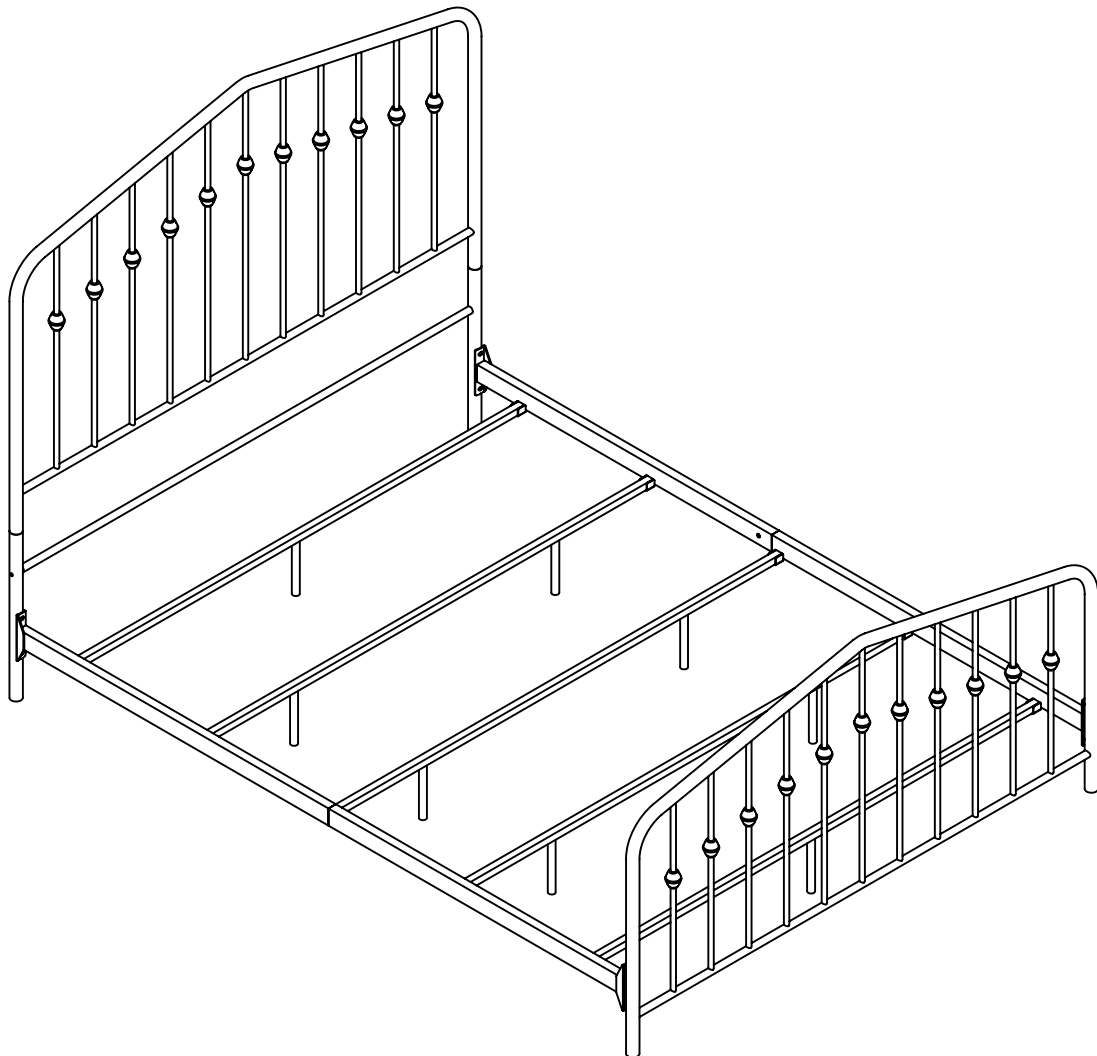
Assembly Instructions

WRLW 1618B-HBC/1618W-HBC
QUEEN BED

Manufactured by WRLW for Rooms To Go

SKU#32316184/33316185

Thank you for purchasing this quality product. Be sure to check all packing material carefully for small parts, which may have come loose inside the carton during shipment. Identify and count all parts and compare with the Hardware List below.



DO NOT USE SUBSTITUTE PARTS. PLEASE CONTACT YOUR RETAIL STORE OR WWW.ROOMSTOGO.COM
WITH SERVICE OR PARTS REPLACEMENT REQUEST

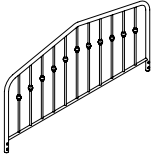
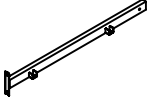
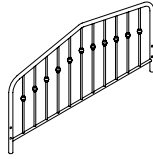
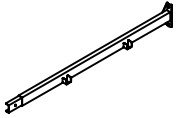

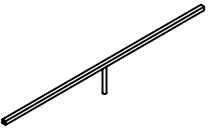
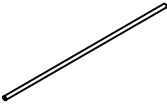
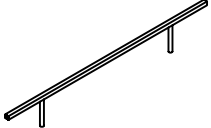


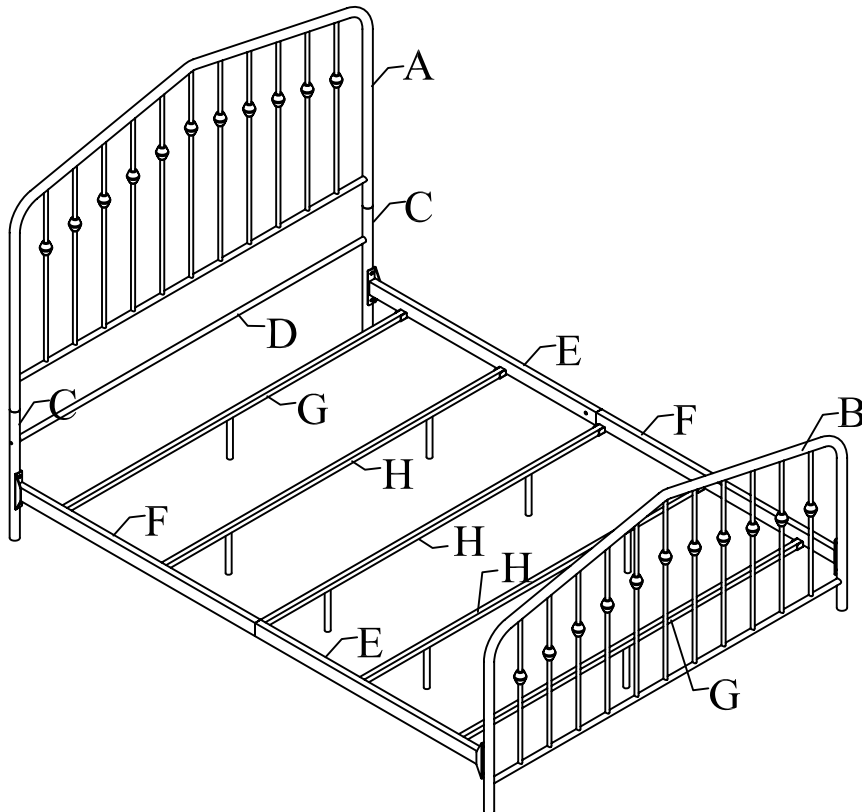
Assembly Instructions

WRLW 1618B-HBC/1618W-HBC QUEEN BED

SKU#32316184/33316185

32316184 BLACK / 33316185 WHITE
QUEEN BED

NO.	PARTS LIST	IMAGE	QTY	NO.	PARTS LIST	IMAGE	QTY
A	Headboard		1	E	Side rail 1		2
B	Footboard		1	F	Side rail 2		2
C	Leg		2	G	Slat 1		2
D	Cross bar		1	H	Slat 2		3















DO NOT USE SUBSTITUTE PARTS. PLEASE CONTACT YOUR RETAIL STORE OR WWW.ROOMSTOGO.COM WITH SERVICE OR PARTS REPLACEMENT REQUEST



Assembly Instructions

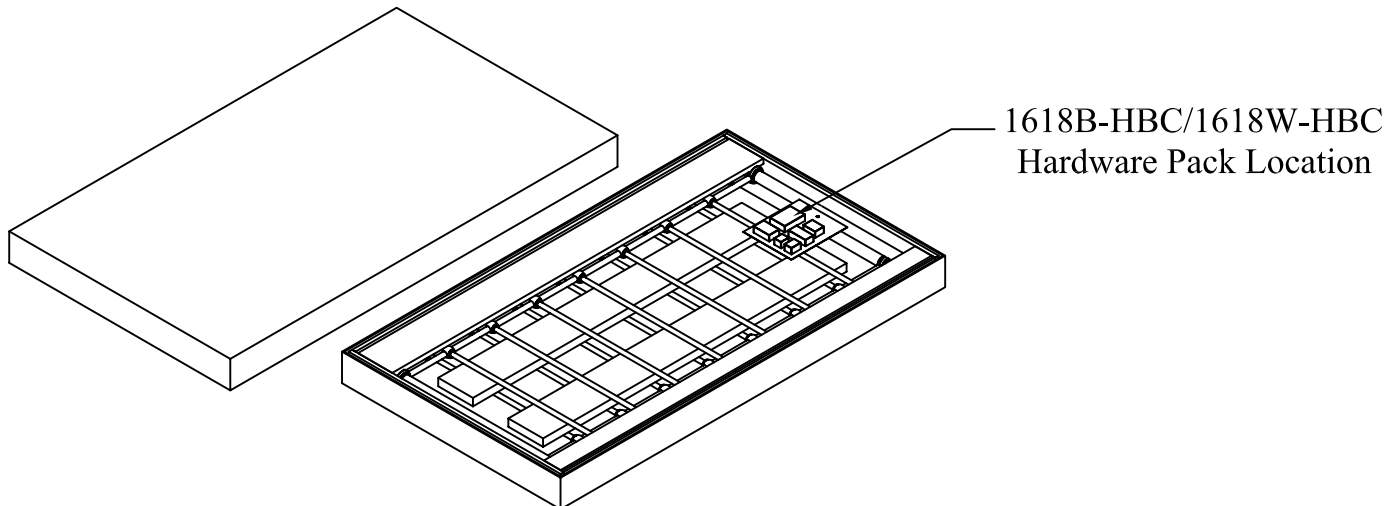
WRLW 1618B-HBC/1618W-HBC QUEEN BED
SKU#32316184/33316185

STEP	CODE	HARDWARE	QTY
	I	Allen Key 4x22x60mm 	1
	J	Wrench 11.3mm 	1
1	K	Bolt 1/4"x20x2" 	2
2	L	Bolt 1/4"x20x5/8" 	4
3	M	Bolt 1/4"x20x5/8" 	6
4	M	Bolt 1/4"x20x5/8" 	4
4	K	Bolt 1/4"x20x2" 	4
4	N	Flat Washer 1/4"xφ16mm 	4
4	O	Nut 1/4"x11mmx8mm 	4
4	P	Plastic Washer 1/4"xφ12mm 	4
5	M	Bolt 1/4"x20x5/8" 	4
6	M	Bolt 1/4"x20x5/8" 	6

1. We recommend that you should assemble this product with the assistance of another person; this will make assembly easier and will eliminate damage to the product or injury to persons during assembly.
2. Please do not over tighten screws or bolts until assembly is complete.
3. Please put all parts on a non-abrasive floor before assembly, and follow assembly steps to assemble your newly purchased product correctly and efficiently.

Hardware Pack Location

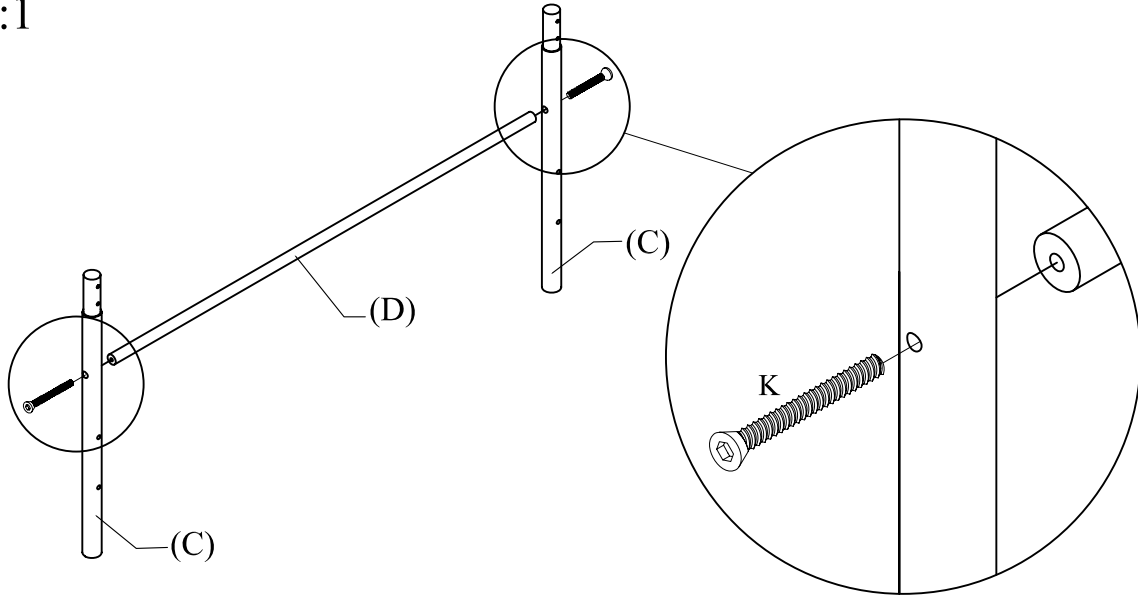
SKU NO	STYLE NO	DESCRIPTION
32316184	1618B-HBC	QUEEN BED
33316185	1618W-HBC	QUEEN BED



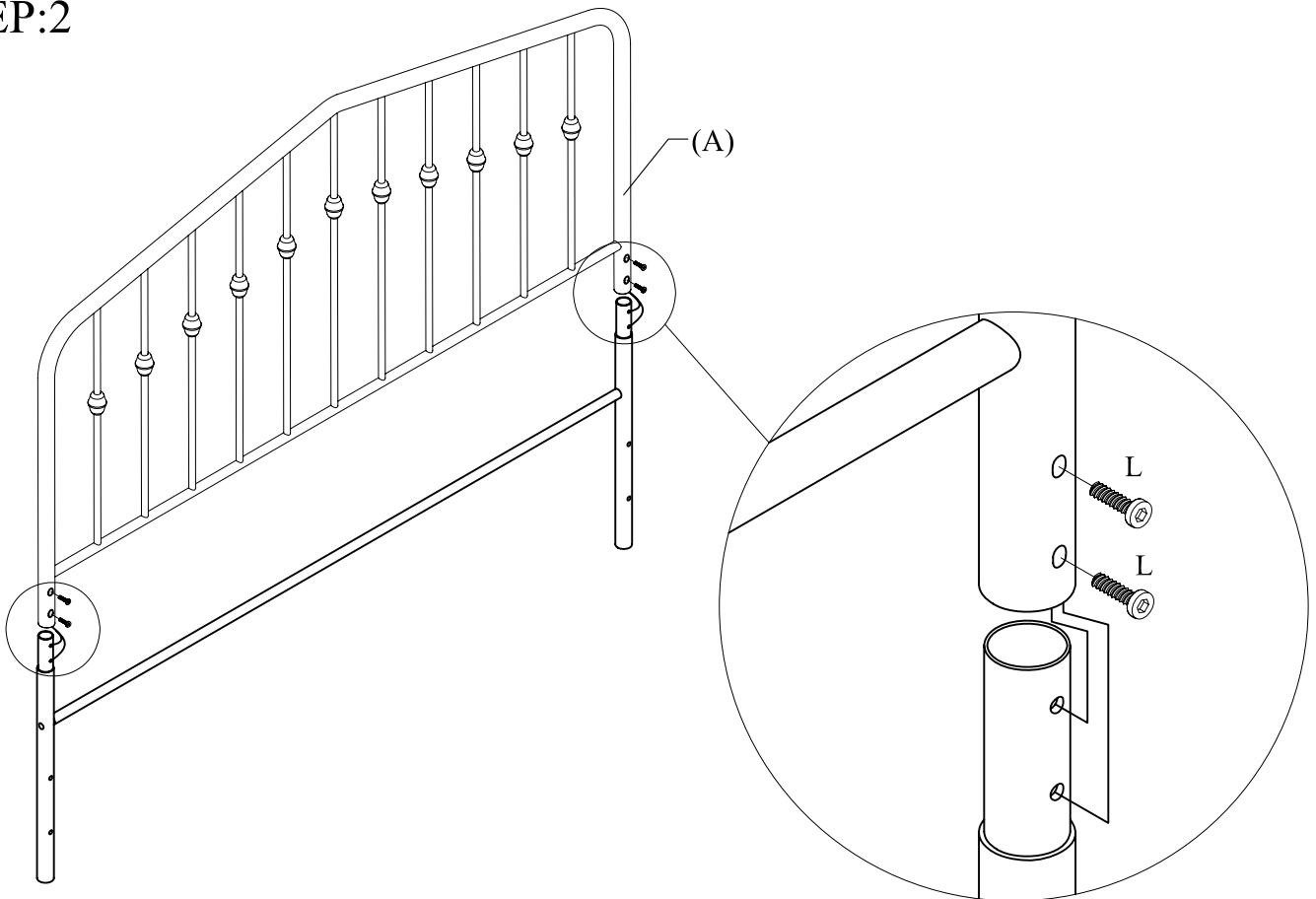
DO NOT USE SUBSTITUTE PARTS. PLEASE CONTACT YOUR RETAIL STORE OR WWW.ROOMSTOGO.COM WITH SERVICE OR PARTS REPLACEMENT REQUEST

*** Caution : Please read all instructions carefully before starting the assembly process. These parts are cumbersome and heavy. Therefore, two people are recommended in order to prevent personal injury and insure the parts are not damaged during the assembly.

STEP:1

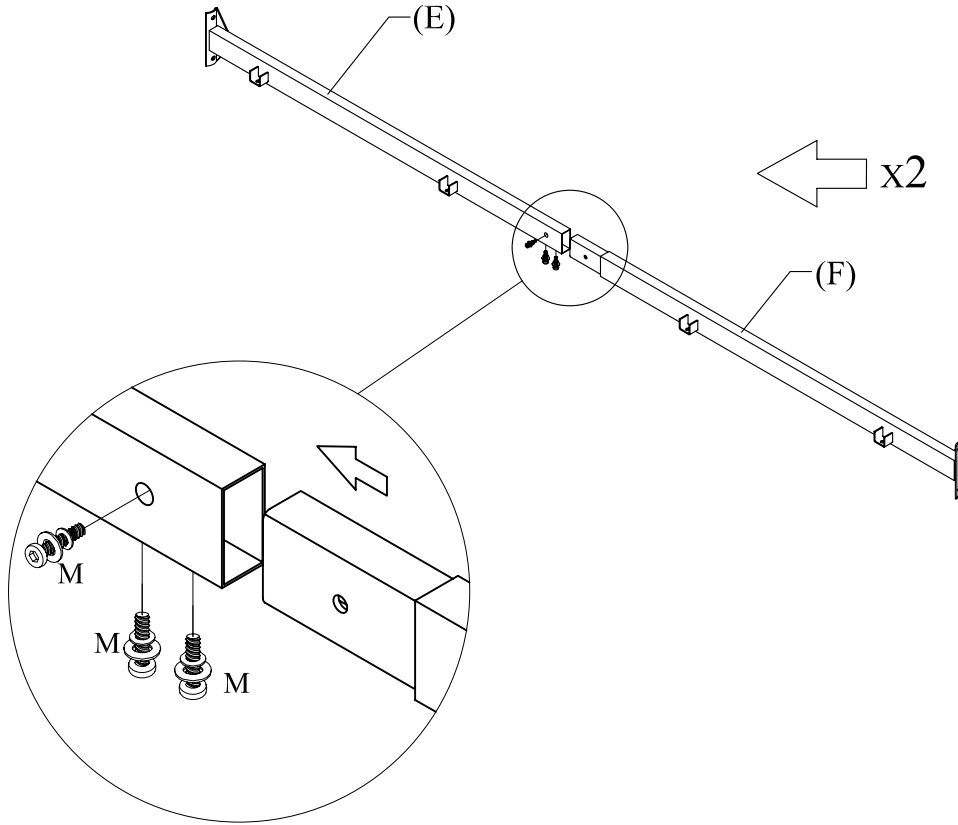


STEP:2

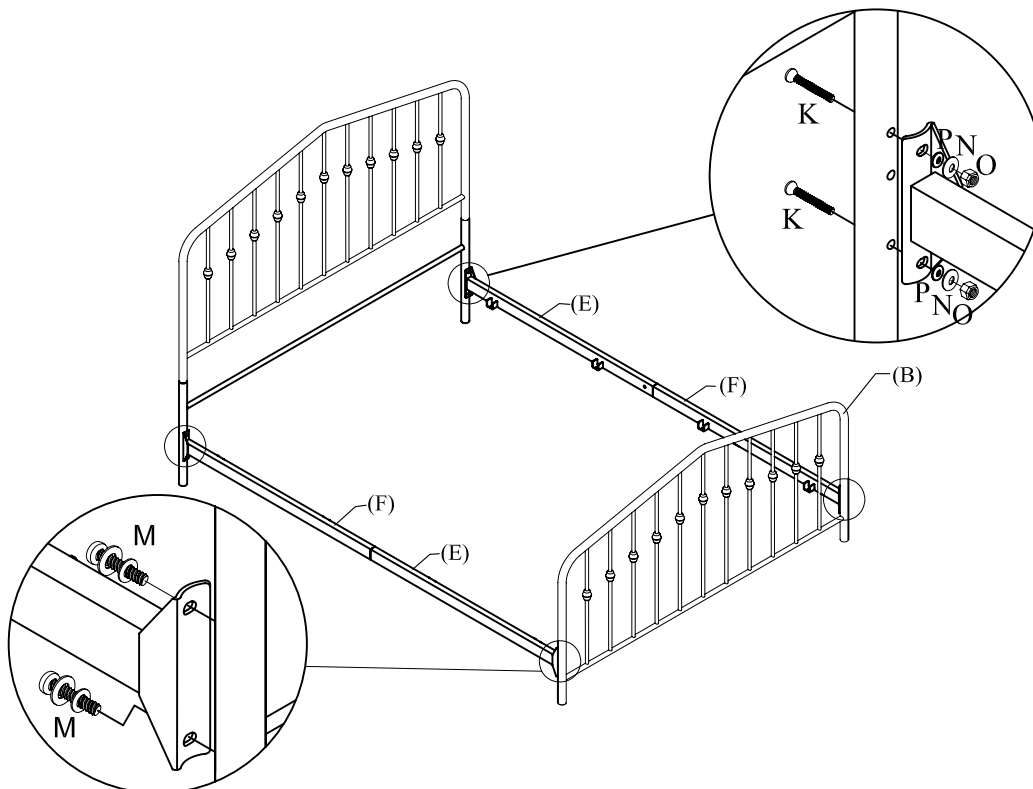


DO NOT USE SUBSTITUTE PARTS. PLEASE CONTACT YOUR RETAIL STORE OR WWW.ROOMSTOGO.COM WITH SERVICE OR PARTS REPLACEMENT REQUEST

STEP:3

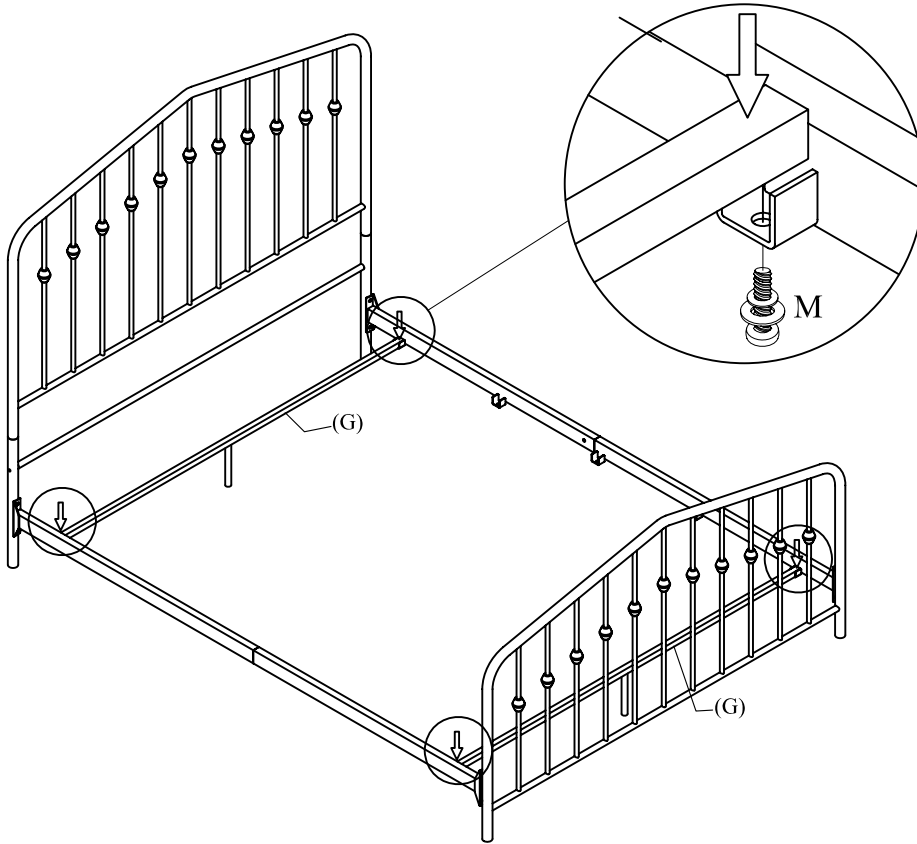


STEP:4

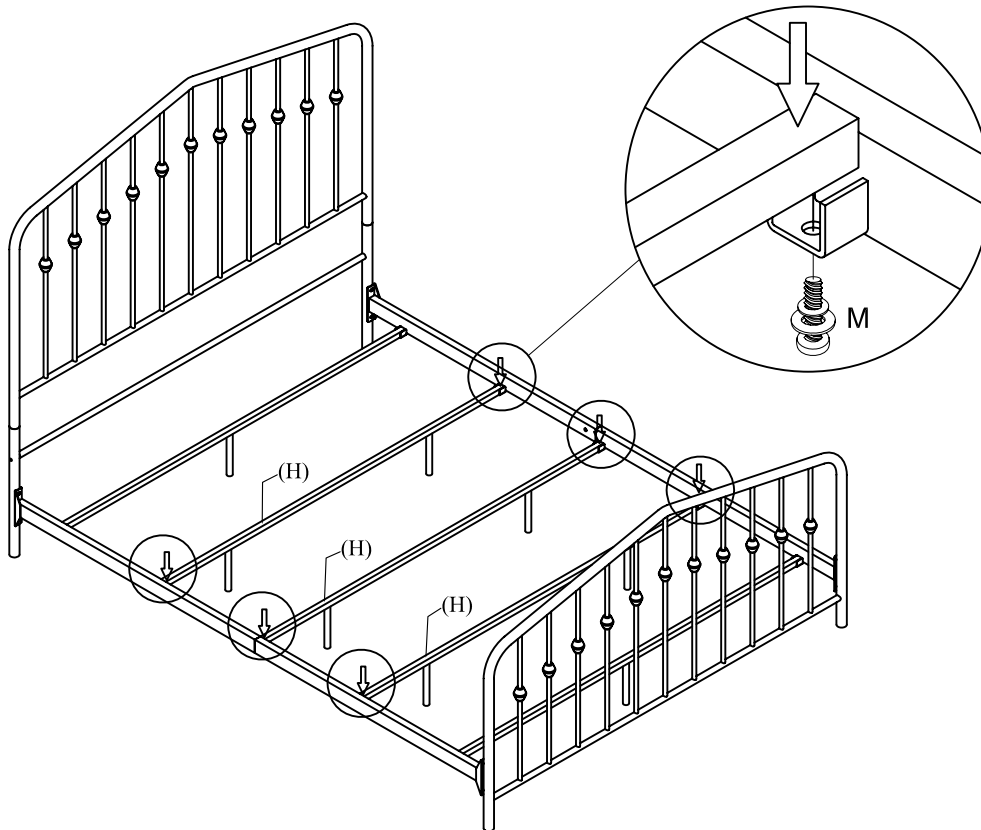


DO NOT USE SUBSTITUTE PARTS. PLEASE CONTACT YOUR RETAIL STORE OR WWW.ROOMSTOGO.COM WITH SERVICE OR PARTS REPLACEMENT REQUEST

STEP:5



STEP:6



DO NOT USE SUBSTITUTE PARTS. PLEASE CONTACT YOUR RETAIL STORE OR WWW.ROOMSTOGO.COM WITH SERVICE OR PARTS REPLACEMENT REQUEST